

xylem



Product details 2026

Process instrumentation for wastewater,
surface water and more

Effective from January 1st 2026



Important Information

- This product details list supersedes all previous product details lists.
- All specifications are subject to change without notice.
- For all purchase orders placed with Xylem Analytics Germany Sales GmbH & Co KG our general terms of business will be applied.
- All of the part numbers having an asterisk (*) indicate/ identify variations with extra charge:
 - * Sensor variation with different cable length („-SO“): An additional charge per meter has to be added to the base price.
 - ** UA-SO Sensor extension assembly with user-defined length: An additional charge per meter has to be added.
 - *** Sensor variation with different cable length („-SO“): An additional charge per meter has to be added to the base price.
 - **** Chain per meter: An additional charge per meter has to be added to the base price.
 - ***** Special cable length (-SO): An additional charge per meter has to be added to the base price.
- Technical changes, adjustments and typesetting errors excepted.

January 2026

Contents

4	By Order No.	38	IQ SENSOR NET - System 281
12	Dissolved Oxygen	40	Level
14	pH/ORP	43	Analogue measurement (pH/ORP, O2, Cond, Cl)
15	Conductivity	47	Process electrodes for industrial application
16	Turbidity/Suspended Solids	48	ATEX – pH and Cond in hazardous areas
17	Nitrogen	50	Sample Preparation
22	Carbon: COD/BOD/TOC/DOC/ SAC/UVT	51	Sampler
24	Phosphate	53	Accessories
25	Sludge Level	58	Additional Products
26	Color	62	Sellout of Products
27	IQ SENSOR NET - Sensors and Analyzers	63	Technical Attachments
33	IQ SENSOR NET - System 2020	111	General Terms and Conditions
35	IQ SENSOR NET - System 282/284		

By Order No.

Order No.	Model	
000670	PF105	
102274	TFK 150	
102280	TFK 325	
102282	TFK 325-3	
102287	TFK 325-EST-3,0	
105412	SensoLyt® Pt	
107040	VARiON®Plus 700 IQ	
107042	VARiON®Plus Ref	
107044	VARiON®Plus NH4	
107045	VARiON®Plus NO3	
107046	VARiON®Plus K	
107047	VARiON®Plus Cl	
107050	VARiON®/ES-1	
107052	VARiON®/ES-2	
107056	VARiON®700 IQ-SK	
107057	VARiON®/Epack	
107066	VARiON®Plus AN/A comp SET NH4 & NO3	
107068	VARiON®Plus AN/N comp SET NH4 & NO3	
107070	AmmoLyt® Plus 700 IQ	
107072	AmmoLyt® Plus SET/Comp	
107080	NitraLyt®Plus 700 IQ	
107082	NitraLyt®Plus SET/Comp	
108073	D 300/pH	
108455	VP 6-19/10	Sellout
108461	K 5 S	
108507	AS 9-HI-6,0	
108540	S 200	
108542	S 200/2	
108592	ADA/AMPH	
108700	TEP 4	
108702	TEP 7	
108703	TEP 10 Trace	
109100	SensoLyt® SE	
109102	SensoLyt® EC	
109103	SensoLyt® DW	
109114	SensoLyt® TFA	
109115	SensoLyt® SEA	
109115EX	SensoLyt® SEA EX	
109117	SensoLyt® ECA	
109117EX	SensoLyt® ECA EX	
109118	SensoLyt® SEA-HP	
109119	SensoLyt® DWA	
109125	SensoLyt® PtA	
109125EX	SensoLyt® PtA EX	
109126	SensoLyt PtFA	
109170	SensoLyt® 700 IQ	
109171	SensoLyt® 700 IQ SW	

Order No.	Model
109173	SensoLyt® 700 IQ/SET
109174	SensoLyt® 700 IQ/SET1
109180	SensoLyt® 690-7
109191	SensoLyt® 700-7
109194	SensoLyt® 700-SK
109195	SensoLyt® 650-7
109195EX	SensoLyt® 650-7 EX
109232	GWA
109237	CHEMtrac 830 M
109260	UA 55
109261	UA 130
109263V(**)	UA-SO Armatur
109265	UA/DS
109267EX	UA EX
109270EX	EH/P 170 EX
109271	EH/R 170
109272EX	EH/F 170-1,5 EX
109273EX	EH/F 170-2,5 EX
109274EX	EH/W 170 EX
109275EX	BE/M 170-D EX
109276	BE/M 170
109278EX	BE/R 170 EX
109279EX	BE/R 170-D EX
109280EX	BE/ST 170 EX
109281EX	BE/ST 170-R EX
109283EX	BE/ST 170-M EX
109284	SD/K 170
109286	MR/SD 170
109288	MS/SD 170
109289EX	MS/RKH 170 EX
109290EX	MS/KK 170 EX
109295	SSH/IQ
109304	IN/SET1
109305	IN/SET2
109306	IN/SET3
109317	EH/SW
109320EX	EH/U 170 EX
109323EX	EH2/U 170 EX
109325	EH3/U 170
109351EX	ZU 0274
109353EX	ZU0738
109355EX	ZU 0737
109360	EH/W 171
109361	EH/W 172
109362	EH/WB
109363	EH/WT-D30
109365	EH/W 173
109366	EH/W RM
109444EX	Stratos Pro A 201 X pH 0

*, **, ***, ****, ***** An additional charge per meter must be added to the base price (see page 2)

By Order No.

Order No.	Model
109445EX	Stratos Pro A 201 X pH 1
109446EX	WG 21 A7
109447EX	WG 21 A7 Opt. 336
109448EX	WG 21 A7 Opt. 470
109449EX	WG 21 A7 Opt. 336, 470
109740	RH 28
160310	pHix/Elec/Z4.6
160311	pHix/Elec/Z7.0
160312	pHix/Elec/ORP
180102	ZBK/NH500/TC
191230	pH 298 NTC
191231	pH 298 NTC/24V
191232	pH 298 Pt100
191233	pH 298 Pt100/24V
191234	pH 298 Pt1000
191235	pH 298 Pt1000/24V
201187	FCML 412 N
201192	TCML N
201640	TriOxmatic® 700 IQ
201641	TriOxmatic® 700 IQ SW
201644	TriOxmatic® 701 IQ
201646	TriOxmatic® 702 IQ
201650	FDO 700 IQ
201652	FDO® 700 IQ SW
201653	FDO 701 IQ SW
201654	SC-FDO® 700
201655	SC-FDO® 701
201660	FDO 701 IQ
201670	TriOxmatic® 700-7
201672	TriOxmatic® 700-15
201678	TriOxmatic® 701-7
201682V(*)	TriOxmatic® 701-SO
201690	TriOxmatic® 690-7
201692	TriOxmatic® 690-15
202620	ZBK 600
202621	ZBK 25i
202810	FS-LTU/7030/C12
202811	FS-LTU/7030/C20
202811-100	FS-LTU/7030/C100FT
202811-150	FS-LTU/7030/C150FT
202814	FS-LTU/7030/C12/CW
202814-100	FS-LTU/7030/C100FT/CW
202814-65	FS-LTU/7030/C65FT/CW
202850	WP 600/2
202852	WP 25i/2
202922	H-LTU/assess/ConBox
202950	H-LTU/7070/3/C12
202955	H-LTU/7070/10/C12
202960	H-LTU/7070/30/C35

Order No.	Model
202980	H-LTU/7060/3/C12
202980-20	H-LTU/7060/3/C20
202980-35	H-LTU/7060/3/C35
202982	H-LTU/7060/5/C12
202982-20	H-LTU/7060/5/C20
202985	H-LTU/7060/10/C12
202985-20	H-LTU/7060/10/C20
203160-4.6	pHixC/pH/ISO/316/4.6
203160-4.6-25	pHixC/pH/ISO/316/4.6/C25
203160-7.0	pHixC/pH/ISO/316/7.0
203160-7.0-25	pHixC/pH/ISO/316/7.0/C25
203160-ORP	pHixC/ORP/ISO/316
203161-4.6	pHixC/pH/NPT/316/4.6
203161-4.6-25	pHixC/pH/NPT/316/4.6
203161-7.0	pHixC/pH/NPT/316/7.0
203161-ORP	pHixC/ORP/NPT/316
203170-4.6	pHixC/pH/ISO/PPS/4.6
203170-4.6-25	pHixC/pH/ISO/PPS/4.6/25
203170-7.0	pHixC/pH/ISO/PPS/7.0
203170-7.0-25	pHixC/pH/ISO/PPS/7.0/25
203170-ORP	pHixC/ORP/ISO/PPS
203171-4.6	pHixC/pH/NPT/PPS/4.6
203171-7.0	pHixC/pH/NPT/PPS/7.0
203171-ORP	pHixC/ORP/NPT/PPS
203510	S780/Valve_S
203511	S780/compressor_S
203512	S780/controller_S
203513	S780/supply/230ac_S
203514	S780/PipeValve_S
203520	S780/Sampler780/230ac
203551	S780/Timer
203680	SF 300
203745	D 700/N
203747	D 702/N
203749	DMS/N
203751	EBS 700-DU/N
203753	EBST 700-DU/N
203754	EBST 700-DU/ND
203755	ESS 700 VA/N
203757	ESS 700 VA/10
203758	EBST/SW
203761	ADA-DF 1
203767	ADA-DF 4
203771	ADA-DF 6
203773	ADA-DF 7
203777	ADA-DF 9
203779	ADA-DF 10
203781	ADA-DF 11
203782	H-LTU/7070D/10/C12

*, **, ***, ****, ***** An additional charge per meter must be added to the base price (see page 2)

By Order No.

Order No.	Model
203787	ADA-DF 14
203789	ADA-DF 15
203790	ADA-DF9/SW
203913	H-LTU/1400/3/C12
203914	H-LTU/1400/5/C12
203915	H-LTU/1400/10/C12
203915-20	H-LTU/1400/10/C20
203916	H-LTU/1400/30/C35
203917	H-LTU/1400/SG/100/C110
203953	H-LTU/3400/3/C12
203953-2	H-LTU/3400/2/C12
203954	H-LTU/3400/5/C12
203954-20	H-LTU/3400/5/C20
203954-35	H-LTU/3400/5/C35
203955	H-LTU/3400/10/C12
203955-35	H-LTU/3400/10/C35
203956	H-LTU/3400/30/C35
203963	H-LTU/T3400/3/C12
203975	H-LTU/3400D/10/C12
203990	H-LTU/assess/ProgInt1
203992	H-LTU/assess/ProgInt2
205200	RL-AG/Oxi
205212	ELY/A
205245	ZBK-TCML N
205246	ZBK-FCML 412 N
205247	ZBK-FCML 412
205248	ZBK-FCML 68
205249	ZBK-TCML
205253	MSK FDO
205254	MSK FDO® CS
209913	H-LTU/1400/10FT/C39
209915	H-LTU/1400/30FT/C39
209916	H-LTU/1400/100FT/C114
209917	H-LTU/1400/SG/300FT
209922	H-LTU/3400/3FT/C100
209923	H-LTU/3400/10FT/C39
209923-50	H-LTU/3400/10FT/C50
209925	H-LTU/3400/30FT/C39
209925-100	H-LTU/3400/30FT/C100
209925-75	H-LTU/3400/30FT/C75
209926	H-LTU/3400/100FT/C115
209950	H-LTU/1100/10FT/C39
209955	H-LTU/1100/30FT/C39
209960-115	H-LTU/1100/100FT/C115
209980	H-LTU/2100/10FT/C39
209980-75	H-LTU/2100/10FT/C75
209982	H-LTU/2100/15FT/C39
209982-65	H-LTU/2100/15FT/C65
209985	H-LTU/2100/30FT/C39

Order No.	Model
209985-75	H-LTU/2100/30FT/C75
209990	H-LTU/2100/100FT/C115
285113213	SL 80-120pH
285113246	SL 80-225pH
285113308	SL 81-120pHT VP
285113316	SL 81-225pHT VP
285113550	PL 81-120pHT VP
285113560	PL 81-225pHT VP
285114480	PL A-90-120 pH
285114485	PL A 90-225 pH
285114530	PL A-91-120 pHT VP
285114535	PL A-91-225 pHT VP
291230	Oxi 298 NTC
291231	Oxi 298 NTC/24V
300944EX	Stratos Pro A 201 X Cond-0
300945EX	Stratos Pro A 201 X Cond-1
301960	TetraCon® 325
301961	LR 325/01
301962	LR 325/001
301963	KKDU 325
301970	TetraCon® 325-3
301971	TetraCon® 325-6
301972	TetraCon® 325-10
301973	TetraCon® 325-15
301974	TetraCon® 325-20
302220	LRD 01-1,5
302222	LRD 01-7
302225	LRD 325-1,5
302229	LRD 325-7
302316	TetraCon® 700-7
302316EX	TetraCon® 700-7 EX
302318	TetraCon® 700-15
302500	TetraCon® 700 IQ
302501	TetraCon® 700 IQ SW
303209	EST-LRD
303212	ADA/AMPH-LAB-LF
303215	ADA/AMPH-LF
303216	ADA/LAB-LF
391230	LF 298 NTC
391231	LF 298 NTC/24V
470020	MIQ/TC 2020 3G
470021	Terminal IQ
470022	MIQ/TC 2020 3G-CR3
470024	MIQ/TC 2020 3G-C6
470026	MIQ/TC 2020 3G-EF
471020	MIQ/MC3
471022	MIQ/MC3-MOD
471023	MIQ/MC3-PR
471026	MIQ/3-MOD

*, **, ***, ****, ***** An additional charge per meter must be added to the base price (see page 2)

By Order No.

Order No.	Model	
471027	MIQ/3-PR	
472005	DIQ/JB	
472007	DIQ/CHV	
472103	DIQ/S 281-CR2	
472104	DIQ/S 281-CR2/24V	
472105	DIQ/S 281-MOD	
472106	DIQ/S 281-HART	
472110	DIQ/S 282-CR3	
472111	DIQ/S 282-PR	
472112	DIQ/S 282-MOD	
472113	DIQ/S 282-CR3-E	
472114	DIQ/S 282-EF	
472115	DIQ/S 282-HART	New
472120	DIQ/S 282-CR3/24V	
472121	DIQ/S 282-PR/24V	
472122	DIQ/S 282-MOD/24V	
472123	DIQ/S 282-CR3-E/24V	
472124	DIQ/S 282-EF/24V	
472129	DIQ/S 284-CR3	
472130	DIQ/S 284-CR6	
472131	DIQ/S 284-PR	
472132	DIQ/S 284-MOD	
472133	DIQ/S 284-CR6-E	
472134	DIQ/S 284-EF	
472140	DIQ/S 284-CR6/24V	
472141	DIQ/S 284-PR/24V	
472142	DIQ/S 284-MOD/24V	
472143	DIQ/S 284-CR6-E/24V	
472144	DIQ/S 284-EF/24V	
480004	MIQ/PS	
480006	MIQ/24V	
480008	MIQ/JB	
480010	MIQ/JBR	
480013	MIQ/R6	
480014	MIQ/CR3	
480015	MIQ/C6	
480016	MIQ/IC2	
480017	Cleaning Air Box - 115 VAC	
480018	MIQ/CHV PLUS	
480019	Cleaning Air Box - 230 VAC	
480023	MIQ/WL PS	
480025	MIQ/WL PS SET	
480026	AF/Cleaning Air Box	
480027	RM/Cleaning Air Box	
480040	SACIQ-1,5	
480041V(***)	SACIQ-SO	
480042	SACIQ-7,0	
480044	SACIQ-15,0	
480045	SACIQ-20,0 SW	

Order No.	Model
480046V(***)	SNCIQ - SO
480047V(*****)	SNCIQ/UG- SO
480048	PMS/IQ
480049	PMS/IQ-X
480050	THS/IQ
480051	EW/1
480052	WMS/IQ
480060	SACIQ-50,0 SW
480064V(***)	SACIQ-SO SW
480065	SACIQ-Plug
480066	SACIQ-25,0 SW
480068	SNCIQ-100
480069	SNCIQ-200
480070	SNCIQ-250
480072	SNCIQ-500
480075	SNCIQ/UG-250
480080	VIS FT-1
480081	VIS FT-1/RS
480100	WA 700/10
480100EX	WA 700/10 EX
480102	WA 700/2
480102EX	WA 700/2 EX
480104	ESS-WA 700/ST
480106	ESS-WA 700/VA
480108	ADA-WA 1
480112	ADA-WA 3
480114	ADA-WA 4
480116	WA/BV
480118	WA/Epack
481034	UV 701 IQ NOx
481035	UV 705 IQ NOx
481036	UV 701 IQ SAC
481038	UV 705 IQ SAC
481044	NitraVis 701 IQ
481046	NitraVis 705 IQ
481048	CarboVis 701 IQ
481049	CarboVis 701 IQ TS
481050	CarboVis 705 IQ
481051	CarboVis 705 IQ TS
481052	NiCaVis 705 IQ
481053	NiCaVis 705 IQ TS
481054	NiCaVis 701 IQ NI
481055	NiCaVis 705 IQ NI
481056	NitraVis 701 IQ NI
481057	NitraVis 705 IQ NI
481058	NiCaVis 705 IQ SF
481059	NiCaVis® 705 IQ NI SF
481060	NiCaVis 705 IQ SF Co
481065	CarboVis 705 IQ TS Co

*, **, ***, ****, ***** An additional charge per meter must be added to the base price (see page 2)

By Order No.

Order No.	Model	
481066	NiCaVis 705 IQ TS Co	
481067	ColorVis 705 IQ	
481071	VIS/CT	
481073	VIS Set/EH	
481074	VIS/CV	
481075	SET/AP	
481077	ST-1	
481078	ST-2	
481079	VIS/CS	
481080	VIS Set-F	
481200	IFL 700 IQ	
481206	IFL-E	
481207	IFL-RM	
503200	PB-W/230V	
503225	PB-S/1	
503228	PB-S/R12	
503229	PB-S/R12-v	New
503230	PB-S/R24	
503231	PB-S/R24-v	New
503250	PB-M-S/1	
503280	PB-M-L/R24	
503303	1/PB-S	
503304	1/PB-M-L	
503307	2,9/PB-S	
503311	13/PB	
503314	25/PB	
503337	Schlauch/10mm/PB/1	
503338	Schlauch/12mm/PB-S	
503339	SR/180mm/PB	
503340	SR/180mm/PB-S	
503341	EVSR/PB	
503343	SK/10mm/PB	
503344	SK/12mm/PB-S	
503361	TP/PB-M	
503371	LG/65/PB-M	
503372	EA/7,5/PB-M	
503385	SG/PB-S	
503387	LED-in/PB-S	
503420	MK/10m/PB	
503427	SSM/PB	
505123	S/CH	
505124(****)	CH/SO	
505544	KI/pH-MIQ/S	Sellout
505572	KI/LF-0,4/MIQ	Sellout
521409	pHixC/Union/ISO2	
560914	H-LTU/7060/cable_mount	
560916	FS-LTU/7030/cable_mount	
560917	FS-LTU/7030/contra	
595109	S780/ Repair kit	

Order No.	Model	
595110	S780/SampleGlass	
595120-10	S780/inletPipe/10m	
595121-10	S780/outletPipe 10m	
595121-100	S780/outletPipe 100m	
595121-25	S780/outletPipe 25m	
600010	VisoTurb® 700 IQ	
600011	VisoTurb® 700 IQ SW	
600012	ViSolid® 700 IQ	
600013	ViSolid® 700 IQ SW	
600014	Standard 1000 FNU	
600015	Standard 4000 FNU	
810002	SET1/PurCon®	
810005	AF/PurCon®	
810015	AF-N/PurCon	
810117	SW/P102	
820065	FT/PC	
820066	LSet/PC	
820067	SLSET/PC	
820068	FT/PCIS-2	
821017	BEH/ T 1,5	
821019	BEH/ T 10	
821071	R/ ADD/ TC	
821075	R/ A111	
821085	R/ N511	
821091	R/ P211	
821096	RD/P511	
821097	RC/P511	
821098	RB/P511	
821099	RA/P511	
821100	S/ AI - A111	
821101	S/ AII - A111	
821102	S/ BI - A111	
821103	S/ BII - A111	
821112	S/ AI - N 211	
821113	SSet/ N211	
821115	TS/N211/2	
821117	S/ B - N511	
821121	S/ BI - P211	
821122	S/ BII - P211	
821123	S/ BIII - P211	
821138	RSet/A111-1	
821140	RSet/ A111-2	
821143	RSet/ N211	
821156	C/TCM1	
821160	C/ A111	
821163	C/ N211	
821165	C/N211/FE	
821175	EL/ TC	
821195	Wpack/ P211	

* , ** , *** , **** , ***** An additional charge per meter must be added to the base price (see page 2)

By Order No.

Order No.	Model	
821197	Wpack/ A111	
821199	Wpack/ N211	
821201	Wpack/P511	
821203	Wpack/ N511	
821210	NH500/TC	
821212	MC/NH500/TC	
821220	ELY/NH	
821939	FM/PC	
821940	Filter/PC	
821941	FM-Case/PC	
821960	SL 230-20	
821965	RL 115-10	Sellout
821966	RL 230-10	Sellout
821968	FM-B	
821969	Filter-REP	
821970	ST-BT	
821971	ST 0.0	
821972	Filter	
821974	RL 2	
821976	RL 230-2	
821977	SL 10	
821980	SL 230-10	
821982	SL 230-5	
821983	FM-Adapter	
821984	Filter-CL	
821985	M-EXT 1.5	
821986	M 1.5	
821987	FM	
821988	RM	
821989	WM	
821990	LED	
821991	SM	
821992B	T SET B	
821993	PT	
821994	PM	
821995	ST 20.0	
821996	ST 8.0	
821997	ST 1.6	
821998	CL 1.0	
821999	RE 2.5	
822000	TM	
822201	SH-5	
822202	SH-10	
822203	SH-15	
822204	SH-20	
822221	SH 240-5	
822222	SH 240-10	
822223	SH 240-15	
822224	SH 240-20	

Order No.	Model
822229	RH-1
822230	RH-2
822231	RH-5
822232	RH-10
822240	RH 120-2
822241	RH 120-5
822249	RH 240-1
822250	RH 240-2
822251	RH 240-5
822252	RH 240-10
822254	RH 240-20
825010	Alyza IQ NH4-110
825011	Alyza IQ NH4-111
825012	Alyza IQ NH4-112
825020	Alyza IQ NH4-120
825021	Alyza IQ NH4-121
825510	Alyza IQ PO4-110
825511	Alyza IQ PO4-111
825512	Alyza IQ PO4-112
825521	Alyza IQ PO4-121
825522	Alyza IQ PO4-122
827000	MPV-1
827001	MPV-2
827102	ST-1/Alyza
827170	Syringe Pump Set
827180	Overflow Vessel
827185	Filtration Pump
827186	Check valve
827187	WF Set
827188	PurCon ACS
827190	Conversion kit PO4 MB1
827191	Conversion kit PO4 MB2
827500	R-NH4/1-1A
827501	R-NH4/1-1B
827502	R-NH4/1-1C
827503	R-NH4/1-2A
827504	R-NH4/1-2B
827505	R-NH4/1-2C
827510	S-NH4/1-0.0
827511	S-NH4/1-1.0
827512	S-NH4/1-4.0
827513	S-NH4/1-16.0
827518	C-NH4/1-1
827519	C-NH4/1-2
827520	R-PO4/1-1A
827521	R-PO4/1-1B
827522	R-PO4/1-2A
827523	R-PO4/1-2B
827526	S-PO4/1-0.0

*, **, ***, ****, ***** An additional charge per meter must be added to the base price (see page 2)

By Order No.

Order No.	Model
827527	S-P04/1-1.0
827528	S-P04/1-10.0
827529	S-P04/1-40.0
827533	C-P04/1-1
827540	R-Set NH4/1-1
827541	R-Set NH4/1-2
827545	SC-Set NH4/1-1_0/1
827546	SC-Set NH4/1-1_0/4
827547	SC-Set NH4/1-2_0/16
827550	R-Set P04/1-1
827551	R-Set P04/1-2
827555	SC-Set P04/1-1_0/1
827556	SC-Set P04/1-1_0/10
827557	SC-Set P04/1-2_10/40
827560	S-NH4/1-0.3
827561	S-NH4/1-0.75
827562	S-NH4/1-1.2
827563	S-NH4/1-2.5
827564	S-NH4/1-7.5
827565	S-NH4/1-12.0
827568	S-NH4/1-25
827571	S-NH4/1-40
827574	S-NH4/1-75
827578	S-NH4/1-120
830860	VB 105
850007	P105
850010	FGT 615-2 = P102/1
850019	PZN 30
850110	BS-P102
900107	CH
900111	CH/Epäck
902888	ADA/D-SUB
902890	ADA/E

*, **, ***, ****, ***** An additional charge per meter must be added to the base price (see page 2)

Dissolved Oxygen

Model	Description	Order No.
Optical D.O. Sensor FDO® 700 IQ		
FDO 700 IQ	Digital calibration free optical D.O. sensor (universal use). Optimized for monitoring/controlling the O2 input in wastewater treatment plants, for use with IQ SENSOR NET. Factory calibrated system composed of sensor FDO® 700 IQ and membrane cap SC-FDO® 700, without connection cable (SACIQ order separately)	201650
FDO® 700 IQ SW	Digital calibration free optical D.O. sensor (universal use). Optimized for measuring and controlling the O2 input in seawater applications, for use with IQ SENSOR NET. Factory calibrated system composed of sensor FDO® 700 IQ SW, membrane cap SC-FDO® 700 and protective cap MSK FDO®, without connection cable (SACIQ order separately).	201652
FDO 701 IQ SW	Digital calibration free optical D.O. sensor with fast response time (universal use). Optimized for measuring/controlling the O2 input in seawater applications, for use with IQ SENSOR NET. Factory calibrated system composed of sensor FDO® 700 IQ SW, membrane cap SC-FDO® 701 and protective cap MSK FDO®, without connection cable (SACIQ order separately)	201653
FDO 701 IQ	Digital calibration free optical D.O. sensor with fast response time (universal use). Optimized for monitoring/controlling the O2 input in waste water treatment plants, for use with IQ SENSOR NET. Factory calibrated system composed of sensor FDO® 700 IQ and membrane cap SC-FDO® 701, without connection cable (SACIQ order separately).	201660
Accessories for FDO® 700 IQ		
SC-FDO® 700	Universal sensor cap for FDO® 700 IQ/700 IQ SW	201654
SC-FDO® 701	Fast response time sensor cap for FDO® IQ 701/IQ 701 SW	201655
MSK FDO	Membrane protective cap, provides protection against fishes and rock slide etc. for FDO® 70X IQ and FDO® 70X IQ SW series.	205253
MSK FDO® CS	Cleaning set for FDO® 70X IQ SW and FDO® 70X IQ in combination with MSK FDO®	205254
Electrochemical D.O. Sensor TriOxmatic® Series		
TriOxmatic® 700 IQ	Universal digital D.O. sensor for monitoring/controlling O2 input in wastewater treatment plants for use with IQ SENSOR NET. Supplied with accessory kit (ZBK 600) comprising: 2 exchange membrane heads (WP 600/2), 50 ml electrolyte solution (ELY/A), 50 ml cleaning solution (RL-AG/Oxi), 1x cathode cleaner (SF 300), without connection cable (SACIQ order separately)	201640
TriOxmatic® 700 IQ SW	Universal digital D.O. sensor for monitoring/controlling the O2 input, in sea water design, for use with IQ SENSOR NET. Supplied with accessory kit (ZBK 600) comprising: 2 exchange membrane heads (WP 600/2), 50 ml electrolyte solution (ELY/A), 50 ml cleaning solution (RL-AG/Oxi), 1 x cathode cleaner (SF 300), without connection cable (SACIQ order separately)	201641
TriOxmatic® 701 IQ	Fast response time digital D.O. sensor for use in wastewater treatment plants, e.g. denitrification, for use with IQ SENSOR NET. Supplied with accessory kit (ZBK 25i) comprising: 2 exchange membrane heads (WP 25i/2), 50 ml electrolyte solution (ELY/A), 50 ml cleaning solution (RL-AG/Oxi), 1x cathode cleaner (SF 300), without connection cable (SACIQ order separately)	201644
TriOxmatic® 702 IQ	Digital D.O. sensor for trace level measurements in the ppb range, e.g. ultrapure water/boiler feed water, for use with IQ SENSOR NET. Supplied with accessory kit (ZBK 25i) comprising: 2 exchange membrane heads (WP 25i/2), 50 ml electrolyte solution (ELY/A), 50 ml cleaning solution (RL-AG/Oxi), 1x cathode cleaner (SF 300), without connection cable (SACIQ order separately)	201646
Accessories for TriOxmatic® Sensors		
ZBK 600	Accessory kit for D.O. sensors TriOxmatic® 600/690/700/700 IQ/700 IN series, complete set for regeneration of D.O. electrode. Included: 2 exchange membrane heads (WP 600/2), 50 ml electrolyte solution (ELY/A), 50 ml cleaning solution (RL-AG/Oxi), 1x cathode cleaner (SF 300)	202620
ZBK 25i	Accessory kit for D.O. sensors TriOxmatic® 601/701(IQ)/702 (IQ) series, complete set for regeneration of D.O. electrode. Included: 2 exchange membrane heads (WP 25i/2), 50 ml electrolyte solution (ELY/A), 50 ml cleaning solution (RL-AG/Oxi), 1x cathode cleaner (SF 300)	202621

* , ** , *** , **** , ***** An additional charge per meter must be added to the base price (see page 2)

Dissolved Oxygen

Model	Description	Order No.
WP 600/2	Exchange membrane heads (2 pcs) for D.O. sensor TriOxmatic® 600/690/700 (IQ/IN) series	202850
WP 25i/2	Exchange membrane heads (2 pcs) for D.O. sensor TriOxmatic® 601/701 (IQ)/702 (IQ) series	202852
SF 300	Cathode cleaner (abrasive foil) for WTW oxygen sensors of TriOxmatic® and CellOx® series	203680
RL-AG/Oxi	Cleaning solution for the silver anode of DO sensors of TriOxmatic® series, 1 bottle with 50 ml.	205200
ELY/A	Electrolyte for D.O. sensors series TriOxmatic® 600/601/690/700 (IQ)/701 (IQ)/702 (IQ) Included: 1 bottle with 50 ml	205212

*, **, ***, ****, ***** An additional charge per meter must be added to the base price (see page 2)

pH/ORP

Model	Description	Order No.
pH/ORP Combination Electrodes		
SensoLyt® TFA	pH combination electrode especially suited for industrial or not typical municipal wastewater, with armouring for use in SensoLyt® sensors. With watertight S7 plug head (IP 67); measuring range 2 ... 12 pH	109114
SensoLyt® SEA	pH combination electrode especially suited for measurements in heavily polluted wastewater, with armouring for use in SensoLyt® sensors. With watertight S7 plug head (IP 67); measuring range 0 ... 12 pH	109115
SensoLyt® ECA	pH combination electrode esp. suited for normally polluted wastewater (e.g. municipal wastewater) with armouring for use in SensoLyt® sensors. With watertight S7 plug head (IP 67); measuring range 0 ... 12 pH	109117
SensoLyt® SEA-HP	pH combination electrode with optimized armouring for use under high pressure/temperature conditions, for installation in SensoLyt® sensors. With watertight S7 plug head (IP 67); measuring range 4 ... 12 pH	109118
SensoLyt® DWA	pH combination electrode especially for drinking water applications, for installation in sensors of SensoLyt® 650/690/700 (IQ) series. With watertight S7 plug head (IP 67); measuring range 0 ... 14 pH	109119
SensoLyt® PtA	ORP combination electrode especially suited for measurements in heavily polluted wastewater, for installation in SensoLyt® sensors. With watertight S7 plug head (IP 67); measuring range - 2000 ... + 2000 mV	109125
SensoLyt PtFA	ORP combination electrode especially suited for industrial or not typical municipal wastewater, for installation in SensoLyt® sensors. With watertight S7 plug head (IP 67); measuring range - 2000 ... + 2000 mV	109126
pH/ORP Sensors		
SensoLyt® 700 IQ	Robust digital pH/ORP sensor for pH/ORP electrodes SensoLyt® SEA/DWA/ECA/PtA for use with the IQ SENSOR NET. With built-in pre-amplifier and temperature sensor (NTC), with SensCheck function, without connection cable (please order SACIQ separately)	109170
SensoLyt® 700 IQ SW	Robust digital pH/ORP sensor for SensoLyt® SEA/ DWA/ECA/PtA pH/ORP electrodes, in sea water design, for use with the IQ SENSOR NET. With built-in pre-amplifier and temperature sensor (NTC), with SensCheck function, without connection cable (please order SACIQ separately)	109171
SensoLyt® 700 IQ/SET	Robust digital pH/ORP sensor (SensoLyt® 700 IQ) including pH electrode (SensoLyt® SEA) and 7 m (23 ft) sensor adapter cable (SACIQ-7,0)	109173
SensoLyt® 700 IQ/SET1	Robust digital pH/ORP sensor (SensoLyt® 700 IQ) including ORP electrode (SensoLyt® PtA) and 7 m (23 ft) sensor adapter cable (SACIQ-7,0)	109174
SensoLyt® 700-SK	Protecting cage (protection against strikes/ solids) for SensoLyt® pH/ORP electrodes within SensoLyt® sensors	109194
Accessories pH/ORP		
TEP 4	Technical buffer solution, 1 bottle with 1 l: pH 4.01	108700
TEP 7	Technical buffer solution, 1 bottle with 1 l: pH 7.00	108702
TEP 10 Trace	Technical buffer solution, 1 bottle with 1 l: pH 10.01	108703
RH 28	ORP buffer solution pH 7, UH = 427 mV (CH), 1 bottle with 250 ml.	109740

*, **, ***, ****, ***** An additional charge per meter must be added to the base price (see page 2)

Conductivity

Model	Description	Order No.
Conductivity Cells		
TetraCon® 700 IQ	Digital 4 electrode conductivity cell, especially for heavily polluted wastewater, for use with the IQ SENSOR NET System. With integrated temperature sensor, without cable (Please order SACIQ separately)	302500
TetraCon® 700 IQ SW	Digital 4 electrode conductivity cell, in seawater design, suited for heavily polluted water, for use with the IQ SENSOR NET. With integrated temperature sensor, without cable (Please order SACIQ separately)	302501

*, **, ***, ****, ***** An additional charge per meter must be added to the base price (see page 2)

Turbidity/Suspended Solids

Model	Description	Order No.
Turbidity/Suspended Solids Sensors		
VisoTurb® 700 IQ	Digital turbidity sensor for drinking water/water and wastewater (ultrasonic cleaning) for use with the IQ SENSOR NET system. Please order connection cable SACIQ separately.	600010
VisoTurb® 700 IQ SW	Digital turbidity sensor for industrial and seawater applications (ultrasonic cleaning) for use with the IQ SENSOR NET system. Please order connection cable separately.	600011
ViSolid® 700 IQ	Digital suspended solids sensor for water/wastewater/sludge (ultrasonic cleaning) for use with the IQ SENSOR NET system. Please order connection cable SACIQ separately.	600012
ViSolid® 700 IQ SW	Digital suspended solids sensor for industrial and seawater applications (ultrasonic cleaning) for use with the IQ SENSOR NET system. Please order connection cable separately.	600013
Turbidity/Suspended Solids Accessories		
Standard 1000 FNU	Standard with 1000 FNU for VisoTurb® 700 IQ.	600014
Standard 4000 FNU	Standard with 4000 FNU for ViSolid® 700 IQ.	600015

*, **, ***, ****, ***** An additional charge per meter must be added to the base price (see page 2)

Nitrogen

Model	Description	Order No.
Alyza IQ NH4 (up to 20 mg/L)		
Alyza IQ NH4-110	Ammonium analyzer Alyza IQ NH4 for the IQ Sensor Net, Measurement range 1 and 2, 1-channel w/o pump. Scope of delivery: Ammonium analyzer for indoor and outdoor use, spare parts for the first year, pre-installed 2 m SNCIQ and power cable (please order controller and reagents separately).	825010
Alyza IQ NH4-111	Ammonium analyzer Alyza IQ NH4 for the IQ Sensor Net, Measurement range 1 and 2, 1-channel with pump. Scope of delivery: Ammonium analyzer for indoor and outdoor use, spare parts for the first year, pre-installed 2 m SNCIQ and power cable (please order controller and reagents separately).	825011
Alyza IQ NH4-112	Ammonium analyzer Alyza IQ NH4 for the IQ Sensor Net, Measurement range 1 and 2, 2-channel with two pumps. Scope of delivery: Ammonium analyzer for indoor and outdoor use, spare parts for the first year, pre-installed 2 m SNCIQ and power cable (please order controller and reagents separately).	825012
Alyza IQ NH4 HR (up to 150 mg/L)		
Alyza IQ NH4-120	NH4 analyzer, 1-channel, without filtration pump, with 5 measuring ranges, Indophenol method, connectable to the IQ Sensor Net Systems 2020 and 282/284, provides 10 W to the IQ Sensor Net, including 2 m SNCIQ cable, reagent sets need to be ordered separately	825020
Alyza IQ NH4-121	NH4 analyzer, 1-channel, with filtration pump, with 5 measuring ranges, Indophenol method, connectable to the IQ Sensor Net Systems 2020 and 282/284, provides 10 W to the IQ Sensor Net, including 2 m SNCIQ cable, reagent sets need to be ordered separately	825021
Consumables Alyza IQ NH4		
Filter-REP	Replacement air filter for fan of Alyza IQ and P 700 IQ	821969
MPV-1	Multiport valve 1 for Alyza IQ NH4 and PO4	827000
MPV-2	Multiport valve 2 for Alyza IQ NH4 HR	827001
ST-1/Alyza	Sample tube for Alyza IQ	827102
Syringe Pump Set	Spareparts syringe pump	827170
Chemistry Alyza IQ NH4 (up to 20 mg/L)		
R-NH4/1-1A	Reagent 1A for NH4 measurement range 1 (0.02 ... 5.00 mg/L NH4-N)	827500
R-NH4/1-1B	Reagent 1B for NH4 measurement range 1 (0.02 ... 5.00 mg/L NH4-N)	827501
R-NH4/1-1C	Reagent 1C for NH4 measurement range 1 (0.02 ... 5.00 mg/L NH4-N)	827502
R-NH4/1-2A	Reagent 2A for NH4 measurement range 1 (0.10 ... 20.00 mg/L NH4-N)	827503
R-NH4/1-2B	Reagent 2B for NH4 measurement range 1 (0.10 ... 20.00 mg/L NH4-N)	827504
R-NH4/1-2C	Reagent 2C for NH4 measurement range 1 (0.10 ... 20.00 mg/L NH4-N)	827505
S-NH4/1-0.0	Standard solution 0.0 mg/L NH4-N Alyza IQ	827510
S-NH4/1-1.0	Standard solution 1.0 mg/L NH4-N Alyza IQ	827511
S-NH4/1-4.0	Standard solution 4.0 mg/L NH4-N Alyza IQ	827512
S-NH4/1-16.0	Standard solution 16.0 mg/L NH4-N Alyza IQ	827513
C-NH4/1-1	Cleaning solution 1 Alyza IQ NH4	827518
C-NH4/1-2	Cleaning solution 2 Alyza IQ NH4	827519
R-Set NH4/1-1	Reagent set NH4 measurement range 1 (0.02 ... 5.00 mg/L NH4-N) consisting of reagent 1A, 1B, 1C for analyzer Alyza IQ	827540
R-Set NH4/1-2	Reagent set NH4 measurement range 2 (0.10 ... 20.00 mg/L NH4-N) consisting of reagent 2A, 2B, 2C for analyzer Alyza IQ	827541
SC-Set NH4/1-1_0/1	Set consisting of cleaning solutions and standard solutions 0.0/1.0 mg/l NH4-N for analyzer Alyza IQ NH4	827545
SC-Set NH4/1-1_0/4	Set consisting of cleaning solutions and standard solutions 0.0/4.0 mg/l NH4-N for analyzer Alyza IQ NH4	827546
SC-Set NH4/1-2_0/16	Set consisting of cleaning solution and standard solutions 0.0/16.0 mg/l NH4-N for analyzer Alyza IQ NH4	827547
Chemistry Alyza IQ NH4 (up to 150 mg/L)		
R-NH4/1-1A	Reagent 1A for NH4 measurement range 1 (0.02 ... 5.00 mg/L NH4-N)	827500
R-NH4/1-1B	Reagent 1B for NH4 measurement range 1 (0.02 ... 5.00 mg/L NH4-N)	827501

* , ** , *** , **** , ***** An additional charge per meter must be added to the base price (see page 2)

Nitrogen

Model	Description	Order No.
R-NH4/1-1C	Reagent 1C for NH4 measurement range 1 (0.02 ... 5.00 mg/L NH4-N)	827502
S-NH4/1-0.0	Standard solution 0.0 mg/L NH4-N Alyza IQ	827510
S-NH4/1-1.0	Standard solution 1.0 mg/L NH4-N Alyza IQ	827511
S-NH4/1-4.0	Standard solution 4.0 mg/L NH4-N Alyza IQ	827512
C-NH4/1-1	Cleaning solution 1 Alyza IQ NH4	827518
C-NH4/1-2	Cleaning solution 2 Alyza IQ NH4	827519
R-Set NH4/1-1	Reagent set NH4 measurement range 1 (0.02 ... 5.00 mg/L NH4-N) consisting of reagent 1A, 1B, 1C for analyzer Alyza IQ	827540
S-NH4/1-0.3	Standard solution 0.3 mg/L NH4-N Alyza IQ NH4 HR	827560
S-NH4/1-0.75	Standard solution 0.75 mg/L NH4-N Alyza IQ NH4 HR	827561
S-NH4/1-1.2	Standard solution 1.2 mg/L NH4-N Alyza IQ NH4 HR	827562
S-NH4/1-2.5	Standard solution 2.5 mg/L NH4-N Alyza IQ NH4 HR	827563
S-NH4/1-7.5	Standard solution 7.5 mg/L NH4-N Alyza IQ NH4 HR	827564
S-NH4/1-12.0	Standard solution 12.0 mg/L NH4-N Alyza IQ NH4 HR	827565
S-NH4/1-25	Standard solution 25 mg/L NH4-N Alyza IQ NH4 HR	827568
S-NH4/1-40	Standard solution 40 mg/L NH4-N Alyza IQ NH4 HR	827571
S-NH4/1-75	Standard solution 75 mg/L NH4-N Alyza IQ NH4 HR	827574
S-NH4/1-120	Standard solution 120 mg/L NH4-N Alyza IQ NH4 HR	827578
Combination sensor for ammonium and nitrate ISE		
VARiON®Plus sets and standard solution		
VARiON®Plus AN/A comp SET NH4 & NO3	Robust digital sensor for ion-selective measurement of ammonium and nitrate (in-situ) for use with the IQ SENSOR NET system. Supplied with: Sensor VARiON®Plus 700 IQ, reference electrode VARiON® Ref, measuring electrodes VARiON®Plus NH4 and VARiON®Plus NO3, compensation electrode VARiON®Plus K (potassium). Please order SACIQ cable separately.	107066
VARiON®Plus AN/N comp SET NH4 & NO3	Robust digital sensor for ion-selective measurement of ammonium and nitrate (in-situ) for use with the IQ SENSOR NET system. Supplied with: Sensor VARiON®Plus 700 IQ, reference electrode VARiON® Ref, measuring electrodes VARiON®Plus NH4 and VARiON®Plus NO3, compensation electrode VARiON®Plus Cl (chloride). Please order SACIQ cable separately.	107068
VARiON®/ES-1	Multiple standard solution 1 (low concentration) for VARiON®Plus 700 IQ/ AmmoLyt®Plus 700 IQ/NitraLyt®Plus 700 IQ; Volume: 1000 ml	107050
VARiON®/ES-2	Multiple standard solution 2 (high concentration) for VARiON®Plus 700 IQ/ AmmoLyt®Plus 700 IQ/NitraLyt®Plus 700 IQ; Volume: 1000 ml	107052
VARiON®Plus separate deliveries		
VARiON®Plus 700 IQ	Robust digital sensor for the ion-selective measurement (in-situ) of ammonium and nitrate, for use with the IQ SENSOR NET system. Supplied with: Sensor VARiON®Plus 700 IQ with 4 blind plugs and protective head. Please order electrodes separately.	107040
VARiON®Plus Ref	Reference electrode for mounting into sensors VARiON®Plus 700 IQ, NitraLyt® Plus, AmmoLyt® Plus	107042
VARiON®Plus NH4	Ammonium electrode for VARiON®Plus 700 IQ and AmmoLyt® Plus/AmmoLyt®, measuring range: 0.1 - 2.000 mg/l NH4-N	107044
VARiON®Plus NO3	Nitrate electrode for VARiON®Plus 700 IQ and NitraLyt®Plus/NitraLyt®, Measuring range: 0.1 - 1000 mg/l NO3-N	107045
VARiON®Plus K	Potassium electrode for VARiON®Plus 700 IQ and for AmmoLyt®Plus, measuring range: 1 - 1000 mg/l K+	107046
VARiON®Plus Cl	Chloride electrode for VARiON®Plus 700 IQ and for NitraLyt® Plus, measuring range: 1-1000 mg/l Cl-	107047
Ammonium ISE		
AmmoLyt®Plus sets and standard solutions		

*, **, ***, ****, ***** An additional charge per meter must be added to the base price (see page 2)

Nitrogen

Model	Description	Order No.
AmmoLyt® Plus SET/Comp	Robust digital ammonium sensor for ion-selective electrodes (in-situ measuring), for use with the IQ SENSOR NET system, delivered with VARION® Ref, VARION®Plus NH4 and VARION®Plus K electrodes. With built-in lightning protection, pre-amplifier and temperature sensor. Not included: SACIQ connection cable (Please order separately).	107072
VARION®/ES-1	Multiple standard solution 1 (low concentration) for VARION®Plus 700 IQ/ AmmoLyt®Plus 700 IQ/NitraLyt®Plus 700 IQ; Volume: 1000 ml	107050
VARION®/ES-2	Multiple standard solution 2 (high concentration) for VARION®Plus 700 IQ/ AmmoLyt®Plus 700 IQ/NitraLyt®Plus 700 IQ; Volume: 1000 ml	107052
AmmoLyt®Plus 700 IQ separate deliveries		
VARION®Plus Ref	Reference electrode for mounting into sensors VARION®Plus 700 IQ, NitraLyt® Plus, AmmoLyt® Plus	107042
VARION®Plus NH4	Ammonium electrode for VARION®Plus 700 IQ and AmmoLyt® Plus/ AmmoLyt®, measuring range: 0.1 - 2.000 mg/l NH4-N	107044
VARION®Plus K	Potassium electrode for VARION®Plus 700 IQ and for AmmoLyt®Plus, measuring range: 1 - 1000 mg/l K+	107046
AmmoLyt® Plus 700 IQ	Robust digital ammonium sensor for ion-selective electrodes (in-situ measuring), for use with the IQ SENSOR NET system. With built-in lightning protection, pre-amplifier and temperature sensor. Not included: Electrodes VARION® Ref, VARION®Plus NH4, VARION®Plus K and SACIQ connection cable (Please order separately).	107070
Nitrate ISE		
NitraLyt®Plus sets und standard solutions		
NitraLyt®Plus SET/Comp	Robust digital nitrate sensor for ion-selective electrodes (in-situ measuring), for use with the IQ SENSOR NET system, delivered with VARION® Ref, VARION®Plus NO3 and VARION®Plus Cl electrodes. With built-in lightning protection, pre-amplifier and temperature sensor. Not included: SACIQ connection cable (Please order separately).	107082
VARION®/ES-1	Multiple standard solution 1 (low concentration) for VARION®Plus 700 IQ/ AmmoLyt®Plus 700 IQ/NitraLyt®Plus 700 IQ; Volume: 1000 ml	107050
VARION®/ES-2	Multiple standard solution 2 (high concentration) for VARION®Plus 700 IQ/ AmmoLyt®Plus 700 IQ/NitraLyt®Plus 700 IQ; Volume: 1000 ml	107052
NitraLyt®Plus 700 IQ separate deliveries		
VARION®Plus Ref	Reference electrode for mounting into sensors VARION®Plus 700 IQ, NitraLyt® Plus, AmmoLyt® Plus	107042
VARION®Plus NO3	Nitrate electrode for VARION®Plus 700 IQ and NitraLyt®Plus/NitraLyt®, Measuring range: 0.1 - 1000 mg/l NO3-N	107045
VARION®Plus Cl	Chloride electrode for VARION®Plus 700 IQ and for NitraLyt® Plus, measuring range: 1-1000 mg/l Cl-	107047
NitraLyt®Plus 700 IQ	Robust digital nitrate sensor for ion-selective electrodes (in-situ measuring), for use with the IQ SENSOR NET system. With built-in lightning protection, pre-amplifier and temperature sensor. Not included: Electrodes VARION® Ref, VARION®Plus NO3, VARION®Plus Cl and SACIQ connection cable (Please order separately).	107080
Accessories ISE		
VARION®700 IQ-SK	Protection device for ISE electrodes, mountable on VARION®Plus 700 IQ/ AmmoLyt®Plus 700 IQ/NitraLyt®Plus 700 IQ	107056
VARION®/Epack	Spare part set for VARION®Plus 700 IQ. Consisting of 1 special box spanner for mounting and dismounting of electrodes, 1 blind plug, 3 spare O-ring seals for electrodes and 1 vessel for wet storage of electrodes.	107057
DIQ/CHV	Dual IQ/Cleaning Head Valve for automatic air cleaning controlled by a relay, for system 28X, (relay and compressed air supply external)	472007
Cleaning Air Box - 115 VAC	Air pressure compressor for online sensors. For easy wall mounting, switchable by a relay to provide cleaning systems with air pressure. 115 VAC. No additional CHV PLUS needed.	480017
MIQ/CHV PLUS	Module IQ/Cleaning Head Valve, for automatic air cleaning controlled by a relay or the IQ SENSOR NET (relay and compressed air supply external)	480018
Cleaning Air Box - 230 VAC	Air pressure compressor for online sensors. For easy wall mounting, switchable by a relay to provide cleaning systems with air pressure. 230 VAC. No additional CHV PLUS needed.	480019

*, **, ***, ****, ***** An additional charge per meter must be added to the base price (see page 2)

Nitrogen

Model	Description	Order No.
CH	Cleaning head for on-line sensors with 40 mm diameter. Supplied with 15 m (49 ft) compressed air tube.	900107
NOx Sensor		
UV 701 IQ NOx	Optical Nitrate (NOx) sensor with single wavelength measurement, for measurement of higher concentrations in wastewater and surface water, with turbidity compensation and integrated ultrasonic cleaning. Supplied with multifunctional slide and Shock-Absorption-Rings, without connection cable (SACIQ order separately)	481034
UV 705 IQ NOx	Optical Nitrate (NOx) sensor with single wavelength measurement, for measurement of lower concentrations in wastewater and surface water, with turbidity compensation and integrated ultrasonic cleaning. Supplied with multifunctional slide and Shock-Absorption-Rings, without connection cable (SACIQ order separately).	481035
Nitrate/Nitrite Spectral Sensors		
NitraVis 701 IQ	Spectral nitrate sensor (60 mm) with spectral processing of UV-VIS range, for measurement in inlet/BNR part of municipal wastewater treatment plants, with integrated ultrasonic cleaning. Supplied with multifunctional slide and Shock-Absorption-Rings, without connection cable (SACIQ order separately).	481044
NitraVis 705 IQ	Spectral nitrate sensor (60 mm) with spectral processing of UV-VIS range, for measurement in the effluent of municipal wastewater treatment plants, with integrated ultrasonic cleaning. Supplied with multifunctional slide and Shock-Absorption-Rings, without connection cable (SACIQ order separately).	481046
NiCaVis 705 IQ	Spectral UV-VIS sensor (60 mm) for measurement of Nitrate, CODtotal, CODsoluble, TOC, BOD, DOC, SACtotal, SACsoluble, and UVT254, for measurement in the effluent of municipal wastewater treatment plants, with integrated ultrasonic cleaning. Supplied with multifunctional slide and Shock-Absorption-Rings, without connection cable (SACIQ order separately).	481052
NiCaVis 705 IQ TS	Spectral UV-VIS sensor (60 mm) for measurement of Nitrate, CODtotal, CODsoluble, TOC, BOD, DOC, SACtotal, SACsoluble, UVT254 and TSS, for measurement in the effluent of municipal wastewater treatment plants, with integrated ultrasonic cleaning. Supplied with multifunctional slide and Shock-Absorption-Rings, without connection cable (SACIQ order separately).	481053
NiCaVis 701 IQ NI	Spectral UV sensor (60 mm) for measurement of Nitrite, Nitrate, CODtotal, CODsoluble, TOC, BOD, DOC, SACtotal, SAC soluble, and UVT254 in the influent, biological tank and effluent of municipal waste water treatment plants, with integrated ultrasonic cleaning. Supplied with multifunctional slide and Shock-Absorption-Rings, without connection cable (SACIQ order separately).	481054
NiCaVis 705 IQ NI	Spectral UV sensor (60 mm) for measurement of Nitrite, Nitrate, CODtotal, CODsoluble, TOC, BOD, DOC, SACtotal, SACsoluble, and UVT254 in the effluent of municipal waste water treatment plants, with integrated ultrasonic cleaning. Supplied with multifunctional slide and Shock-Absorption-Rings, without connection cable (SACIQ order separately)	481055
NitraVis 701 IQ NI	Spectral UV sensor (60 mm) for measurement of Nitrite and Nitrate in the influent, biological tank and effluent of municipal waste water treatment plants, with integrated ultrasonic cleaning. Supplied with multifunctional slide and Shock-Absorption-Rings, without connection cable (SACIQ order separately).	481056
NitraVis 705 IQ NI	Spectral UV sensor (60 mm) for measurement of Nitrite and Nitrate in the effluent of municipal wastewater treatment plants, with integrated ultrasonic cleaning. Supplied with multifunctional slide and Shock-Absorption-Rings, without connection cable (SACIQ order separately).	481057
Nitrate/Nitrite Spectral Sensors Surface Water		
NiCaVis 705 IQ SF	Spectral UV-VIS sensor (60 mm) for the measurement of Nitrate, COD, TOC, BOD, DOC, SAC, UVT254 and TS in surface water bodies with integrated ultrasonic cleaning. Supplied with multifunctional slide and Shock-Absorption-Rings, without connection cable (SACIQ order separately)	481058
NiCaVis® 705 IQ NI SF	Spectral UV-VIS sensor (60 mm) for the measurement of Nitrate, Nitrite, COD, TOC, BOD, DOC, SAC and UVT254 in surface water bodies with integrated ultrasonic cleaning. Supplied with multifunctional slide and Shock-Absorption-Rings, without connection cable (SACIQ order separately)	481059
NiCaVis 705 IQ SF Co	Spectral UV-VIS probe to measure Nitrate, Color, CODdiss., TOC, BOD, DOC, SAC and UVT254 in surface waters with integrated ultrasonic cleaning, multifunctional slide and shock-absorption-rings (order SACIQ separately)	481060

*, **, ***, ****, ***** An additional charge per meter must be added to the base price (see page 2)

Nitrogen

Model	Description	Order No.
NiCaVis 705 IQ TS Co	Spectral UV-VIS probe for measuring color, nitrate, COD _{tot} , COD _{diss.} , TOC, BOD, DOC, SAC _{tot} , SAC _{diss.} and UVT ₂₅₄ in a WWTP drain/outlet with integrated ultrasonic cleaning, multifunctional slide and shock-absorption-rings (order SACIQ separately)	481066
Accessories Spectral Sensors (Nitrogen)		
DIQ/CHV	Dual IQ/Cleaning Head Valve for automatic air cleaning controlled by a relay, for system 28X, (relay and compressed air supply external)	472007
Cleaning Air Box - 115 VAC	Air pressure compressor for online sensors. For easy wall mounting, switchable by a relay to provide cleaning systems with air pressure. 115 VAC. No additional CHV PLUS needed.	480017
MIQ/CHV PLUS	Module IQ/Cleaning Head Valve, for automatic air cleaning controlled by a relay or the IQ SENSOR NET (relay and compressed air supply external)	480018
Cleaning Air Box - 230 VAC	Air pressure compressor for online sensors. For easy wall mounting, switchable by a relay to provide cleaning systems with air pressure. 230 VAC. No additional CHV PLUS needed.	480019
VIS FT-1	Flow-through measuring cell for spectral UV and UV-VIS sensors, for operation with automatic compressed air cleaning	480080
VIS FT-1/RS	Spare part set for flow-thru measuring cell VIS FT-1	480081
VIS/CT	Universal cleaning tool for spectral sensors.	481071
VIS/CV	Multifunctional slide for spectral sensors.	481074
SET/AP	Air pressure cleaning set for spectral sensors: Supplied with 15 m (49 ft) tubing, fittings, without further modules and components.	481075
ST-1	Standard with low concentration for 5 mm spectral sensors.	481077
ST-2	Standard with high concentration for 1 mm spectral sensors.	481078
VIS/CS	Universal cleaning tool set for cleaning of measuring windows of spectral sensors with cleaning solutions.	481079

*, **, ***, ****, ***** An additional charge per meter must be added to the base price (see page 2)

Carbon: COD/BOD/TOC/DOC/SAC/UVT

Model	Description	Order No.
SAC/UVT Sensor		
UV 701 IQ SAC	Optical SAC and UVT sensor (254 nm), for measurement of higher concentrations in wastewater and surface water, with turbidity compensation and integrated ultrasonic cleaning. Supplied with multifunctional slide and Shock-Absorption-Rings, without connection cable (SACIQ order separately).	481036
UV 705 IQ SAC	Optical SAC and UVT sensor (254 nm), for measurement of lower concentrations in wastewater and surface water, with turbidity compensation and integrated ultrasonic cleaning. Supplied with multifunctional slide and Shock-Absorption-Rings, without connection cable (SACIQ order separately).	481038
Spectral Sensors Carbon		
CarboVis 701 IQ	Optical COD/TOC/DOC/BOD or SAC sensor (60 mm) with spectral processing of the UV-VIS range, for measurement in the inlet/effluent/BNR part of municipal wastewater treatment plants, with integrated integrated ultrasonic cleaning. Supplied with multifunctional slide and Shock-Absorption-Rings, without connection cable (SACIQ order separately).	481048
CarboVis 701 IQ TS	Optical COD/TOC/DOC/BOD/SAC and TSS sensor (60 mm) with spectral processing of the UV-VIS range, for measurement in the inlet/effluent/aeration part of municipal wastewater treatment plants with integrated integrated ultrasonic cleaning. Supplied with multifunctional slide and Shock-Absorption-Rings, without connection cable (SACIQ order separately).	481049
CarboVis 705 IQ	Optical COD/TOC/DOC/BOD or SAC sensor (60 mm) with spectral processing of the UV-VIS range, for measurement in the effluent of municipal wastewater treatment plants, with integrated integrated ultrasonic cleaning. Supplied with multifunctional slide and Shock-Absorption-Rings, without connection cable (SACIQ order separately).	481050
CarboVis 705 IQ TS	Optical COD/TOC/DOC/BOD/SAC and TSS sensor (60 mm) with spectral processing of the UV-VIS range, for measurement in the effluent of municipal wastewater treatment plants, with integrated integrated ultrasonic cleaning. Supplied with multifunctional slide and Shock-Absorption-Rings, without connection cable (SACIQ order separately).	481051
NiCaVis 705 IQ	Spectral UV-VIS sensor (60 mm) for measurement of Nitrate, CODtotal, CODsoluble, TOC, BOD, DOC, SACtotal, SACsoluble, and UVT254, for measurement in the effluent of municipal wastewater treatment plants, with integrated ultrasonic cleaning. Supplied with multifunctional slide and Shock-Absorption-Rings, without connection cable (SACIQ order separately).	481052
NiCaVis 705 IQ TS	Spectral UV-VIS sensor (60 mm) for measurement of Nitrate, CODtotal, CODsoluble, TOC, BOD, DOC, SACtotal, SACsoluble, UVT254 and TSS, for measurement in the effluent of municipal wastewater treatment plants, with integrated ultrasonic cleaning. Supplied with multifunctional slide and Shock-Absorption-Rings, without connection cable (SACIQ order separately).	481053
NiCaVis 701 IQ NI	Spectral UV sensor (60 mm) for measurement of Nitrite, Nitrate, CODtotal, CODsoluble, TOC, BOD, DOC, SACtotal, SAC soluble, and UVT254 in the influent, biological tank and effluent of municipal waste water treatment plants, with integrated ultrasonic cleaning. Supplied with multifunctional slide and Shock-Absorption-Rings, without connection cable (SACIQ order separately).	481054
NiCaVis 705 IQ NI	Spectral UV sensor (60 mm) for measurement of Nitrite, Nitrate, CODtotal, CODsoluble, TOC, BOD, DOC, SACtotal, SACsoluble, and UVT254 in the effluent of municipal waste water treatment plants, with integrated ultrasonic cleaning. Supplied with multifunctional slide and Shock-Absorption-Rings, without connection cable (SACIQ order separately).	481055
CarboVis 705 IQ TS Co	Spectral UV-VIS probe for measuring color, CODtot, CODdiss., TOC, BOD, DOC, SACtot., SACdiss., UVT254 and TSS in a WWTP drain/outlet with integrated ultrasonic cleaning, multifunctional slide and shock-absorption-rings (order SACIQ separately)	481065
NiCaVis 705 IQ TS Co	Spectral UV-VIS probe for measuring color, nitrate, CODtot, CODdiss., TOC, BOD, DOC, SACtot., SACdiss. and UVT254 in a WWTP drain/outlet with integrated ultrasonic cleaning, multifunctional slide and shock-absorption-rings (order SACIQ separately)	481066
Spectral Sensors Carbon Surface Water		

* , ** , *** , **** , ***** An additional charge per meter must be added to the base price (see page 2)

Carbon: COD/BOD/TOC/DOC/SAC/UVT

Model	Description	Order No.
NiCaVis 705 IQ SF	Spectral UV-VIS sensor (60 mm) for the measurement of Nitrate, COD, TOC, BOD, DOC, SAC, UVT254 and TS in surface water bodies with integrated ultrasonic cleaning. Supplied with multifunctional slide and Shock-Absorption-Rings, without connection cable (SACIQ order separately)	481058
NiCaVis® 705 IQ NI SF	Spectral UV-VIS sensor (60 mm) for the measurement of Nitrate, Nitrite, COD, TOC, BOD, DOC, SAC and UVT254 in surface water bodies with integrated ultrasonic cleaning. Supplied with multifunctional slide and Shock-Absorption-Rings, without connection cable (SACIQ order separately)	481059
NiCaVis 705 IQ SF Co	Spectral UV-VIS probe to measure Nitrate, Color, CODdiss., TOC, BOD, DOC, SAC and UVT254 in surface waters with integrated ultrasonic cleaning, multifunctional slide and shock-absorption-rings (order SACIQ separately)	481060
Accessories Spectral Sensors (Carbon)		
DIQ/CHV	Dual IQ/Cleaning Head Valve for automatic air cleaning controlled by a relay, for system 28X, (relay and compressed air supply external)	472007
Cleaning Air Box - 115 VAC	Air pressure compressor for online sensors. For easy wall mounting, switchable by a relay to provide cleaning systems with air pressure. 115 VAC. No additional CHV PLUS needed.	480017
MIQ/CHV PLUS	Module IQ/Cleaning Head Valve, for automatic air cleaning controlled by a relay or the IQ SENSOR NET (relay and compressed air supply external)	480018
Cleaning Air Box - 230 VAC	Air pressure compressor for online sensors. For easy wall mounting, switchable by a relay to provide cleaning systems with air pressure. 230 VAC. No additional CHV PLUS needed.	480019
VIS FT-1	Flow-through measuring cell for spectral UV and UV-VIS sensors, for operation with automatic compressed air cleaning	480080
VIS FT-1/RS	Spare part set for flow-thru measuring cell VIS FT-1	480081
VIS/CT	Universal cleaning tool for spectral sensors.	481071
VIS/CV	Multifunctional slide for spectral sensors.	481074
SET/AP	Air pressure cleaning set for spectral sensors: Supplied with 15 m (49 ft) tubing, fittings, without further modules and components.	481075
ST-1	Standard with low concentration for 5 mm spectral sensors.	481077
ST-2	Standard with high concentration for 1 mm spectral sensors.	481078
VIS/CS	Universal cleaning tool set for cleaning of measuring windows of spectral sensors with cleaning solutions.	481079

*, **, ***, ****, ***** An additional charge per meter must be added to the base price (see page 2)

Phosphate

Model	Description	Order No.
Alyza IQ PO4		
Alyza IQ PO4-110	Orthophosphate analyzer Alyza IQ PO4 for the IQ Sensor Net, Measurement range 1, 1-channel w/o pump. Scope of delivery: Orthophosphate analyzer for indoor and outdoor use, spare parts for the first year, pre-installed 2 m SNCIQ and power cables (please order controller and reagents separately).	825510
Alyza IQ PO4-111	Orthophosphate analyzer Alyza IQ PO4 for the IQ Sensor Net, Measurement range 1, 1-channel with pump. Scope of delivery: Orthophosphate analyzer for indoor and outdoor use, spare parts for the first year, pre-installed 2 m SNCIQ and power cables (please order controller and reagents separately).	825511
Alyza IQ PO4-112	Orthophosphate analyzer Alyza IQ PO4 for the IQ Sensor Net, Measurement range 1, 2-channel with 2 pumps. Scope of delivery: Orthophosphate analyzer for indoor and outdoor use, spare parts for the first year, pre-installed 2 m SNCIQ and power cables (please order controller and reagents separately).	825512
Alyza IQ PO4-121	Orthophosphate analyzer Alyza IQ PO4 for the IQ Sensor Net, Measurement range 2, 1-channel with pump. Scope of delivery: Orthophosphate analyzer for indoor and outdoor use, spare parts for the first year, pre-installed 2 m SNCIQ and power cables (please order controller and reagents separately).	825521
Alyza IQ PO4-122	Orthophosphate analyzer Alyza IQ PO4 for the IQ Sensor Net, Measurement range 2, 2-channel with 2 pumps. Scope of delivery: Orthophosphate analyzer for indoor and outdoor use, spare parts for the first year, pre-installed 2 m SNCIQ and power cables (please order controller and reagents separately).	825522
Consumables Alyza IQ PO4		
Filter-REP	Replacement air filter for fan of Alyza IQ and P 700 IQ	821969
MPV-1	Multiport valve 1 for Alyza IQ NH4 and PO4	827000
ST-1/Alyza	Sample tube for Alyza IQ	827102
Syringe Pump Set	Spareparts syringe pump	827170
Chemistry Alyza IQ PO4		
R-PO4/1-1A	Reagent 1A for PO4 measurement range 1 (0.02 ... 15.00 mg/L PO4-P) Alyza IQ	827520
R-PO4/1-1B	Reagent 1B for PO4 measurement range 1 (0.02 ... 15.00 mg/L PO4-P) Alyza IQ	827521
R-PO4/1-2A	Reagent 2A for PO4 measurement range 2 (0.2 ... 50.0 mg/L PO4-P) Alyza IQ	827522
R-PO4/1-2B	Reagent 2B for PO4 measurement range 2 (0.2 ... 50.0 mg/L PO4-P) Alyza IQ	827523
S-PO4/1-0.0	Standard solution 0.0 mg/l PO4-P Alyza IQ	827526
S-PO4/1-1.0	Standard solution 1.0 mg/l PO4-P Alyza IQ	827527
S-PO4/1-10.0	Standard solution 10.0 mg/l PO4-P Alyza IQ	827528
S-PO4/1-40.0	Standard solution 40.0 mg/l PO4-P Alyza IQ	827529
C-PO4/1-1	Cleaning solution Alyza IQ PO4	827533
R-Set PO4/1-1	Reagent set PO4 measurement range 1 (0.02 ... 15.00 mg/L PO4-P) consisting of reagent 1A, 1B for analyzer Alyza IQ	827550
R-Set PO4/1-2	Reagent set for PO4 measurement range 2 (0.2 ... 50.0 mg/L PO4-P) consisting of reagent 2A, 2B for analyzer Alyza IQ	827551
SC-Set PO4/1-1_0/1	Set consisting of cleaning solution and standard solutions 0.0/1.0 mg/l PO4-P for analyzer Alyza IQ PO4	827555
SC-Set PO4/1-1_0/10	Set consisting of cleaning solution and standard solutions 0.0/10.0 mg/l PO4-P for analyzer Alyza IQ PO4	827556
SC-Set PO4/1-2_10/40	Set consisting of cleaning solution and standard solutions 0.0/40.0 mg/l PO4-P for analyzer Alyza IQ PO4	827557

*, **, ***, ****, ***** An additional charge per meter must be added to the base price (see page 2)

Sludge Level

Model	Description	Order No.
Sludge Level Sensors		
IFL 700 IQ	Digital ultrasonic sensor (60 mm) with automatic cleaning for interface level detection. Included: Sensor without sensor connection cable (please order SACIQ separately)	481200
Accessories Sludge Level		
IFL-E	Deflector armature for IFL 700 IQ and IFL 701 IQ for application with surface skimmers	481206
IFL-RM	Rail mount for interface level sensors IFL 700 IQ and IFL 701 IQ in combination with deflector armature IFL-E. (EH/WT-D30, IFL-E please order separately)	481207

*, **, ***, ****, ***** An additional charge per meter must be added to the base price (see page 2)

Color

Model	Description	Order No.
Spectral Sensors Color		
NiCaVis 705 IQ SF Co	Spectral UV-VIS probe to measure Nitrate, Color, CODdiss., TOC, BOD, DOC, SAC and UVT254 in surface waters with integrated ultrasonic cleaning, multifunctional slide and shock-absorption-rings (order SACIQ separately)	481060
CarboVis 705 IQ TS Co	Spectral UV-VIS probe for measuring color, CODtot, CODdiss., TOC, BOD, DOC, SACTot., SACdiss., UVT254 and TSS in a WWTP drain/outlet with integrated ultrasonic cleaning, multifunctional slide and shock-absorption-rings (order SACIQ separately)	481065
NiCaVis 705 IQ TS Co	Spectral UV-VIS probe for measuring color, nitrate, CODtot, CODdiss., TOC, BOD, DOC, SACTot., SACdiss. and UVT254 in a WWTP drain/outlet with integrated ultrasonic cleaning, multifunctional slide and shock-absorption-rings (order SACIQ separately)	481066
ColorVis 705 IQ	Spectral UV-VIS probe for measuring color (Hazen 340, 390, 445, 455, 465, ISO 410) with integrated ultrasonic cleaning, multifunctional slide and shock-absorption-rings (order SACIQ separately)	481067

*, **, ***, ****, ***** An additional charge per meter must be added to the base price (see page 2)

IQ SENSOR NET - Sensors and Analyzers

Model	Description	Order No.
IQ Sensors for Systems 282/284 and 2020, Connection cables		
Dissolved Oxygen		
TriOxmatic® 700 IQ	Universal digital D.O. sensor for monitoring/controlling O2 input in wastewater treatment plants for use with IQ SENSOR NET. Supplied with accessory kit (ZBK 600) comprising: 2 exchange membrane heads (WP 600/2), 50 ml electrolyte solution (ELY/A), 50 ml cleaning solution (RL-AG/Oxi), 1x cathode cleaner (SF 300), without connection cable (SACIQ order separately)	201640
TriOxmatic® 700 IQ SW	Universal digital D.O. sensor for monitoring/controlling the O2 input, in sea water design, for use with IQ SENSOR NET. Supplied with accessory kit (ZBK 600) comprising: 2 exchange membrane heads (WP 600/2), 50 ml electrolyte solution (ELY/A), 50 ml cleaning solution (RL-AG/Oxi), 1 x cathode cleaner (SF 300), without connection cable (SACIQ order separately)	201641
TriOxmatic® 701 IQ	Fast response time digital D.O. sensor for use in wastewater treatment plants, e.g. denitrification, for use with IQ SENSOR NET. Supplied with accessory kit (ZBK 25i) comprising: 2 exchange membrane heads (WP 25i/2), 50 ml electrolyte solution (ELY/A), 50 ml cleaning solution (RL-AG/Oxi), 1x cathode cleaner (SF 300), without connection cable (SACIQ order separately)	201644
TriOxmatic® 702 IQ	Digital D.O. sensor for trace level measurements in the ppb range, e.g. ultrapure water/boiler feed water, for use with IQ SENSOR NET. Supplied with accessory kit (ZBK 25i) comprising: 2 exchange membrane heads (WP 25i/2), 50 ml electrolyte solution (ELY/A), 50 ml cleaning solution (RL-AG/Oxi), 1x cathode cleaner (SF 300), without connection cable (SACIQ order separately)	201646
FDO 700 IQ	Digital calibration free optical D.O. sensor (universal use). Optimized for monitoring/controlling the O2 input in wastewater treatment plants, for use with IQ SENSOR NET. Factory calibrated system composed of sensor FDO® 700 IQ and membrane cap SC-FDO® 700, without connection cable (SACIQ order separately)	201650
FDO® 700 IQ SW	Digital calibration free optical D.O. sensor (universal use). Optimized for measuring and controlling the O2 input in seawater applications, for use with IQ SENSOR NET. Factory calibrated system composed of sensor FDO® 700 IQ SW, membrane cap SC-FDO® 700 and protective cap MSK FDO®, without connection cable (SACIQ order separately).	201652
FDO 701 IQ SW	Digital calibration free optical D.O. sensor with fast response time (universal use). Optimized for measuring/controlling the O2 input in seawater applications, for use with IQ SENSOR NET. Factory calibrated system composed of sensor FDO® 700 IQ SW, membrane cap SC-FDO® 701 and protective cap MSK FDO®, without connection cable (SACIQ order separately)	201653
FDO 701 IQ	Digital calibration free optical D.O. sensor with fast response time (universal use). Optimized for monitoring/controlling the O2 input in waste water treatment plants, for use with IQ SENSOR NET. Factory calibrated system composed of sensor FDO® 700 IQ and membrane cap SC-FDO® 701, without connection cable (SACIQ order separately).	201660
pH/ORP		
SensoLyt® TFA	pH combination electrode especially suited for industrial or not typical municipal wastewater, with armoring for use in SensoLyt® sensors. With watertight S7 plug head (IP 67); measuring range 2 ... 12 pH	109114
SensoLyt® SEA	pH combination electrode especially suited for measurements in heavily polluted wastewater, with armoring for use in SensoLyt® sensors. With watertight S7 plug head (IP 67); measuring range 0 ... 12 pH	109115
SensoLyt® ECA	pH combination electrode esp. suited for normally polluted wastewater (e.g. municipal wastewater) with armoring for use in SensoLyt® sensors. With watertight S7 plug head (IP 67); measuring range 0 ... 12 pH	109117
SensoLyt® SEA-HP	pH combination electrode with optimized armoring for use under high pressure/temperature conditions, for installation in SensoLyt® sensors. With watertight S7 plug head (IP 67); measuring range 4 ... 12 pH	109118
SensoLyt® DWA	pH combination electrode especially for drinking water applications, for installation in sensors of SensoLyt® 650/690/700 (IQ) series. With watertight S7 plug head (IP 67); measuring range 0 ... 14 pH	109119

* , ** , *** , **** , ***** An additional charge per meter must be added to the base price (see page 2)

IQ SENSOR NET - Sensors and Analyzers

Model	Description	Order No.
SensoLyt® PtA	ORP combination electrode especially suited for measurements in heavily polluted wastewater, for installation in SensoLyt® sensors. With watertight S7 plug head (IP 67); measuring range - 2000 ... + 2000 mV	109125
SensoLyt PtFA	ORP combination electrode especially suited for industrial or not typical municipal wastewater, for installation in SensoLyt® sensors. With watertight S7 plug head (IP 67); measuring range - 2000 ... + 2000 mV	109126
SensoLyt® 700 IQ	Robust digital pH/ORP sensor for pH/ORP electrodes SensoLyt® SEA/DWA/ECA/PtA for use with the IQ SENSOR NET. With built-in pre-amplifier and temperature sensor (NTC), with SensCheck function, without connection cable (please order SACIQ separately)	109170
SensoLyt® 700 IQ SW	Robust digital pH/ORP sensor for SensoLyt® SEA/ DWA/ECA/PtA pH/ORP electrodes, in sea water design, for use with the IQ SENSOR NET. With built-in pre-amplifier and temperature sensor (NTC), with SensCheck function, without connection cable (please order SACIQ separately)	109171
SensoLyt® 700 IQ/SET	Robust digital pH/ORP sensor (SensoLyt® 700 IQ) including pH electrode (SensoLyt® SEA) and 7 m (23 ft) sensor adapter cable (SACIQ-7,0)	109173
SensoLyt® 700 IQ/SET1	Robust digital pH/ORP sensor (SensoLyt® 700 IQ) including ORP electrode (SensoLyt® PtA) and 7 m (23 ft) sensor adapter cable (SACIQ-7,0)	109174
Conductivity		
TetraCon® 700 IQ	Digital 4 electrode conductivity cell, especially for heavily polluted wastewater, for use with the IQ SENSOR NET System. With integrated temperature sensor, without cable (Please order SACIQ separately)	302500
TetraCon® 700 IQ SW	Digital 4 electrode conductivity cell, in seawater design, suited for heavily polluted water, for use with the IQ SENSOR NET. With integrated temperature sensor, without cable (Please order SACIQ separately)	302501
Turbidity/Suspended Solids		
VisoTurb® 700 IQ	Digital turbidity sensor for drinking water/water and wastewater (ultrasonic cleaning) for use with the IQ SENSOR NET system. Please order connection cable SACIQ separately.	600010
VisoTurb® 700 IQ SW	Digital turbidity sensor for industrial and seawater applications (ultrasonic cleaning) for use with the IQ SENSOR NET system. Please order connection cable separately.	600011
ViSolid® 700 IQ	Digital suspended solids sensor for water/wastewater/sludge (ultrasonic cleaning) for use with the IQ SENSOR NET system. Please order connection cable SACIQ separately.	600012
ViSolid® 700 IQ SW	Digital suspended solids sensor for industrial and seawater applications (ultrasonic cleaning) for use with the IQ SENSOR NET system. Please order connection cable separately.	600013
Ammonium (optical/wetchemical)		
Alyza IQ NH4-110	Ammonium analyzer Alyza IQ NH4 for the IQ Sensor Net, Measurement range 1 and 2, 1-channel w/o pump. Scope of delivery: Ammonium analyzer for indoor and outdoor use, spare parts for the first year, pre-installed 2 m SNCIQ and power cable (please order controller and reagents separately).	825010
Alyza IQ NH4-111	Ammonium analyzer Alyza IQ NH4 for the IQ Sensor Net, Measurement range 1 and 2, 1-channel with pump. Scope of delivery: Ammonium analyzer for indoor and outdoor use, spare parts for the first year, pre-installed 2 m SNCIQ and power cable (please order controller and reagents separately).	825011
Alyza IQ NH4-112	Ammonium analyzer Alyza IQ NH4 for the IQ Sensor Net, Measurement range 1 and 2, 2-channel with two pumps. Scope of delivery: Ammonium analyzer for indoor and outdoor use, spare parts for the first year, pre-installed 2 m SNCIQ and power cable (please order controller and reagents separately).	825012
Alyza IQ NH4-120	NH4 analyzer, 1-channel, without filtration pump, with 5 measuring ranges, Indophenol method, connectable to the IQ Sensor Net Systems 2020 and 282/284, provides 10 W to the IQ Sensor Net, including 2 m SNCIQ cable, reagent sets need to be ordered separately	825020
Alyza IQ NH4-121	NH4 analyzer, 1-channel, with filtration pump, with 5 measuring ranges, Indophenol method, connectable to the IQ Sensor Net Systems 2020 and 282/284, provides 10 W to the IQ Sensor Net, including 2 m SNCIQ cable, reagent sets need to be ordered separately	825021
Combination sensor for ammonium and nitrate (ISE)		

* , ** , *** , **** , ***** An additional charge per meter must be added to the base price (see page 2)

IQ SENSOR NET - Sensors and Analyzers

Model	Description	Order No.
VARiON®Plus 700 IQ	Robust digital sensor for the ion-selective measurement (in-situ) of ammonium and nitrate, for use with the IQ SENSOR NET system. Supplied with: Sensor VARiON®Plus 700 IQ with 4 blind plugs and protective head. Please order electrodes separately.	107040
VARiON®Plus AN/A comp SET NH4 & NO3	Robust digital sensor for ion-selective measurement of ammonium and nitrate (in-situ) for use with the IQ SENSOR NET system. Supplied with: Sensor VARiON®Plus 700 IQ, reference electrode VARiON® Ref, measuring electrodes VARiON®Plus NH4 and VARiON®Plus NO3, compensation electrode VARiON®Plus K (potassium). Please order SACIQ cable separately.	107066
VARiON®Plus AN/N comp SET NH4 & NO3	Robust digital sensor for ion-selective measurement of ammonium and nitrate (in-situ) for use with the IQ SENSOR NET system. Supplied with: Sensor VARiON®Plus 700 IQ, reference electrode VARiON® Ref, measuring electrodes VARiON®Plus NH4 and VARiON®Plus NO3, compensation electrode VARiON®Plus Cl (chloride). Please order SACIQ cable separately.	107068
Ammonium (ISE)		
AmmoLyt® Plus 700 IQ	Robust digital ammonium sensor for ion-selective electrodes (in-situ measuring), for use with the IQ SENSOR NET system. With built-in lightning protection, pre-amplifier and temperature sensor. Not included: Electrodes VARiON® Ref, VARiON®Plus NH4, VARiON®Plus K and SACIQ connection cable (Please order separately).	107070
AmmoLyt® Plus SET/Comp	Robust digital ammonium sensor for ion-selective electrodes (in-situ measuring), for use with the IQ SENSOR NET system, delivered with VARiON® Ref, VARiON®Plus NH4 and VARiON®Plus K electrodes. With built-in lightning protection, pre-amplifier and temperature sensor. Not included: SACIQ connection cable (Please order separately).	107072
Nitrate (ISE)		
NitraLyt®Plus 700 IQ	Robust digital nitrate sensor for ion-selective electrodes (in-situ measuring), for use with the IQ SENSOR NET system. With built-in lightning protection, pre-amplifier and temperature sensor. Not included: Electrodes VARiON® Ref, VARiON®Plus NO3, VARiON®Plus Cl and SACIQ connection cable (Please order separately).	107080
NitraLyt®Plus SET/Comp	Robust digital nitrate sensor for ion-selective electrodes (in-situ measuring), for use with the IQ SENSOR NET system, delivered with VARiON® Ref, VARiON®Plus NO3 and VARiON®Plus Cl electrodes. With built-in lightning protection, pre-amplifier and temperature sensor. Not included: SACIQ connection cable (Please order separately).	107082
Nitrate/Nitrite (UV-VIS/UV)		
NitraVis 701 IQ	Spectral nitrate sensor (60 mm) with spectral processing of UV-VIS range, for measurement in inlet/BNR part of municipal wastewater treatment plants, with integrated ultrasonic cleaning. Supplied with multifunctional slide and Shock-Absorption-Rings, without connection cable (SACIQ order separately).	481044
NitraVis 705 IQ	Spectral nitrate sensor (60 mm) with spectral processing of UV-VIS range, for measurement in the effluent of municipal wastewater treatment plants, with integrated ultrasonic cleaning. Supplied with multifunctional slide and Shock-Absorption-Rings, without connection cable (SACIQ order separately).	481046
NiCaVis 705 IQ	Spectral UV-VIS sensor (60 mm) for measurement of Nitrate, CODtotal, CODsoluble, TOC, BOD, DOC, SACtotal, SACsoluble, and UVT254, for measurement in the effluent of municipal wastewater treatment plants, with integrated ultrasonic cleaning. Supplied with multifunctional slide and Shock-Absorption-Rings, without connection cable (SACIQ order separately).	481052
NiCaVis 705 IQ TS	Spectral UV-VIS sensor (60 mm) for measurement of Nitrate, CODtotal, CODsoluble, TOC, BOD, DOC, SACtotal, SACsoluble, UVT254 and TSS, for measurement in the effluent of municipal wastewater treatment plants, with integrated ultrasonic cleaning. Supplied with multifunctional slide and Shock-Absorption-Rings, without connection cable (SACIQ order separately).	481053
NiCaVis 701 IQ NI	Spectral UV sensor (60 mm) for measurement of Nitrite, Nitrate, CODtotal, CODsoluble, TOC, BOD, DOC, SACtotal, SACsoluble, and UVT254 in the influent, biological tank and effluent of municipal waste water treatment plants, with integrated ultrasonic cleaning. Supplied with multifunctional slide and Shock-Absorption-Rings, without connection cable (SACIQ order separately).	481054

* , ** , *** , **** , ***** An additional charge per meter must be added to the base price (see page 2)

IQ SENSOR NET - Sensors and Analyzers

Model	Description	Order No.
NiCaVis 705 IQ NI	Spectral UV sensor (60 mm) for measurement of Nitrite, Nitrate, CODtotal, CODsoluble, TOC, BOD, DOC, SACtotal, SACsoluble, and UVT254 in the effluent of municipal waste water treatment plants, with integrated ultrasonic cleaning. Supplied with multifunctional slide and Shock-Absorption-Rings, without connection cable (SACIQ order separately)	481055
NitraVis 701 IQ NI	Spectral UV sensor (60 mm) for measurement of Nitrite and Nitrate in the influent, biological tank and effluent of municipal waste water treatment plants, with integrated ultrasonic cleaning. Supplied with multifunctional slide and Shock-Absorption-Rings, without connection cable (SACIQ order separately).	481056
NitraVis 705 IQ NI	Spectral UV sensor (60 mm) for measurement of Nitrite and Nitrate in the effluent of municipal wastewater treatment plants, with integrated ultrasonic cleaning. Supplied with multifunctional slide and Shock-Absorption-Rings, without connection cable (SACIQ order separately).	481057
NOx (optical)		
UV 701 IQ NOx	Optical Nitrate (NOx) sensor with single wavelength measurement, for measurement of higher concentrations in wastewater and surface water, with turbidity compensation and integrated ultrasonic cleaning. Supplied with multifunctional slide and Shock-Absorption-Rings, without connection cable (SACIQ order separately)	481034
UV 705 IQ NOx	Optical Nitrate (NOx) sensor with single wavelength measurement, for measurement of lower concentrations in wastewater and surface water, with turbidity compensation and integrated ultrasonic cleaning. Supplied with multifunctional slide and Shock-Absorption-Rings, without connection cable (SACIQ order separately).	481035
Carbon (UV-VIS/UV)		
CarboVis 701 IQ	Optical COD/TOC/DOC/BOD or SAC sensor (60 mm) with spectral processing of the UV-VIS range, for measurement in the inlet/effluent/BNR part of municipal wastewater treatment plants, with integrated integrated ultrasonic cleaning. Supplied with multifunctional slide and Shock-Absorption-Rings, without connection cable (SACIQ order separately).	481048
CarboVis 701 IQ TS	Optical COD/TOC/DOC/BOD/SAC and TSS sensor (60 mm) with spectral processing of the UV-VIS range, for measurement in the inlet/effluent/aeration part of municipal wastewater treatment plants with integrated integrated ultrasonic cleaning. Supplied with multifunctional slide and Shock-Absorption-Rings, without connection cable (SACIQ order separately).	481049
CarboVis 705 IQ	Optical COD/TOC/DOC/BOD or SAC sensor (60 mm) with spectral processing of the UV-VIS range, for measurement in the effluent of municipal wastewater treatment plants, with integrated integrated ultrasonic cleaning. Supplied with multifunctional slide and Shock-Absorption-Rings, without connection cable (SACIQ order separately).	481050
CarboVis 705 IQ TS	Optical COD/TOC/DOC/BOD/SAC and TSS sensor (60 mm) with spectral processing of the UV-VIS range, for measurement in the effluent of municipal wastewater treatment plants, with integrated integrated ultrasonic cleaning. Supplied with multifunctional slide and Shock-Absorption-Rings, without connection cable (SACIQ order separately).	481051
NiCaVis 705 IQ	Spectral UV-VIS sensor (60 mm) for measurement of Nitrate, CODtotal, CODsoluble, TOC, BOD, DOC, SACtotal, SACsoluble, and UVT254, for measurement in the effluent of municipal wastewater treatment plants, with integrated ultrasonic cleaning. Supplied with multifunctional slide and Shock-Absorption-Rings, without connection cable (SACIQ order separately).	481052
NiCaVis 705 IQ TS	Spectral UV-VIS sensor (60 mm) for measurement of Nitrate, CODtotal, CODsoluble, TOC, BOD, DOC, SACtotal, SACsoluble, UVT254 and TSS, for measurement in the effluent of municipal wastewater treatment plants, with integrated ultrasonic cleaning. Supplied with multifunctional slide and Shock-Absorption-Rings, without connection cable (SACIQ order separately).	481053
NiCaVis 701 IQ NI	Spectral UV sensor (60 mm) for measurement of Nitrite, Nitrate, CODtotal, CODsoluble, TOC, BOD, DOC, SACtotal, SAC soluble, and UVT254 in the influent, biological tank and effluent of municipal waste water treatment plants, with integrated ultrasonic cleaning. Supplied with multifunctional slide and Shock-Absorption-Rings, without connection cable (SACIQ order separately).	481054

* , ** , *** , **** , ***** An additional charge per meter must be added to the base price (see page 2)

IQ SENSOR NET - Sensors and Analyzers

Model	Description	Order No.
NiCaVis 705 IQ NI	Spectral UV sensor (60 mm) for measurement of Nitrite, Nitrate, CODtotal, CODsoluble, TOC, BOD, DOC, SACTotal, SACsoluble, and UVT254 in the effluent of municipal waste water treatment plants, with integrated ultrasonic cleaning. Supplied with multifunctional slide and Shock-Absorption-Rings, without connection cable (SACIQ order separately)	481055
SAC/UVT (optical)		
UV 701 IQ SAC	Optical SAC and UVT sensor (254 nm), for measurement of higher concentrations in wastewater and surface water, with turbidity compensation and integrated ultrasonic cleaning. Supplied with multifunctional slide and Shock-Absorption-Rings, without connection cable (SACIQ order separately).	481036
UV 705 IQ SAC	Optical SAC and UVT sensor (254 nm), for measurement of lower concentrations in wastewater and surface water, with turbidity compensation and integrated ultrasonic cleaning. Supplied with multifunctional slide and Shock-Absorption-Rings, without connection cable (SACIQ order separately).	481038
Phosphate (optical/wetchemical)		
Alyza IQ PO4-110	Orthophosphate analyzer Alyza IQ PO4 for the IQ Sensor Net, Measurement range 1, 1-channel w/o pump. Scope of delivery: Orthophosphate analyzer for indoor and outdoor use, spare parts for the first year, pre-installed 2 m SNCIQ and power cables (please order controller and reagents separately).	825510
Alyza IQ PO4-111	Orthophosphate analyzer Alyza IQ PO4 for the IQ Sensor Net, Measurement range 1, 1-channel with pump. Scope of delivery: Orthophosphate analyzer for indoor and outdoor use, spare parts for the first year, pre-installed 2 m SNCIQ and power cables (please order controller and reagents separately).	825511
Alyza IQ PO4-112	Orthophosphate analyzer Alyza IQ PO4 for the IQ Sensor Net, Measurement range 1, 2-channel with 2 pumps. Scope of delivery: Orthophosphate analyzer for indoor and outdoor use, spare parts for the first year, pre-installed 2 m SNCIQ and power cables (please order controller and reagents separately).	825512
Alyza IQ PO4-121	Orthophosphate analyzer Alyza IQ PO4 for the IQ Sensor Net, Measurement range 2, 1-channel with pump. Scope of delivery: Orthophosphate analyzer for indoor and outdoor use, spare parts for the first year, pre-installed 2 m SNCIQ and power cables (please order controller and reagents separately).	825521
Alyza IQ PO4-122	Orthophosphate analyzer Alyza IQ PO4 for the IQ Sensor Net, Measurement range 2, 2-channel with 2 pumps. Scope of delivery: Orthophosphate analyzer for indoor and outdoor use, spare parts for the first year, pre-installed 2 m SNCIQ and power cables (please order controller and reagents separately).	825522
Sludge Level		
IFL 700 IQ	Digital ultrasonic sensor (60 mm) with automatic cleaning for interface level detection. Included: Sensor without sensor connection cable (please order SACIQ separately)	481200
Color		
NiCaVis 705 IQ SF Co	Spectral UV-VIS probe to measure Nitrate, Color, CODdiss., TOC, BOD, DOC, SAC and UVT254 in surface waters with integrated ultrasonic cleaning, multifunctional slide and shock-absorption-rings (order SACIQ separately)	481060
CarboVis 705 IQ TS Co	Spectral UV-VIS probe for measuring color, CODtot, CODdiss., TOC, BOD, DOC, SACTot., SACdiss., UVT254 and TSS in a WWTP drain/outlet with integrated ultrasonic cleaning, multifunctional slide and shock-absorption-rings (order SACIQ separately)	481065
NiCaVis 705 IQ TS Co	Spectral UV-VIS probe for measuring color, nitrate, CODtot, CODdiss., TOC, BOD, DOC, SACTot., SACdiss. and UVT254 in a WWTP drain/outlet with integrated ultrasonic cleaning, multifunctional slide and shock-absorption-rings (order SACIQ separately)	481066
ColorVis 705 IQ	Spectral UV-VIS probe for measuring color (Hazen 340, 390, 445, 455, 465, ISO 410) with integrated ultrasonic cleaning, multifunctional slide and shock-absorption-rings (order SACIQ separately)	481067
Sensor Connection Cable		
SACIQ-1,5	Sensor adapter cable for all IQ sensors, with IP 68 waterproof connection to the IQ SENSOR NET system. Cable length 1.5 m (4.9 ft)	480040
SACIQ-SO	Sensor adapter cable for all IQ sensors, with IP 68 waterproof connection to the IQ SENSOR NET system. Customized cable length up to 100 m (330 ft)	480041V(***)

*, **, ***, ****, ***** An additional charge per meter must be added to the base price (see page 2)

IQ SENSOR NET - Sensors and Analyzers

Model	Description	Order No.
SACIQ-7,0	Sensor adapter cable for all IQ sensors, with IP 68 waterproof connection to the IQ SENSOR NET system. Cable length 7 m (23 ft)	480042
SACIQ-15,0	Sensor adapter cable for all IQ sensors, with IP 68 waterproof connection to the IQ SENSOR NET system. Cable length 15 m (49 ft)	480044
SACIQ-20,0 SW	Sensor adapter cable for all IQ sensors, in seawater design, with IP 68 waterproof connection to the IQ SENSOR NET system. Cable length 20 m (65 ft), with screwable SACIQ-Plug	480045
SACIQ-50,0 SW	Sensor adapter cable for all IQ sensors, in seawater design, with IP 68 waterproof connection to the IQ SENSOR NET system. Cable length 50 m (162 ft), with screwable SACIQ-Plug	480060
SACIQ-SO SW	Sensor adapter cable for all IQ sensors, in seawater design, with IP 68 waterproof connection to the IQ SENSOR NET system. Customized cable length up to 100 m (330 ft), with screwable SACIQ-Plug	480064V ^(***)
SACIQ-Plug	Screwable plug for all SACIQ sensor adapter cables for IQ sensors	480065
SACIQ-25,0 SW	Sensor adapter cable for all IQ sensors, in seawater design, with IP 68 waterproof connection to the IQ SENSOR NET system. Cable length 25 m (82 ft), with screwable SACIQ-Plug	480066

*, **, ***, ****, ***** An additional charge per meter must be added to the base price (see page 2)

IQ SENSOR NET - System 2020

Model	Description	Order No.
System 2020		
Terminal / Controller		
MIQ/TC 2020 3G	Module IQ Terminal/Controller, configurable as controller (permanently installed) or as terminal with redundant controller function for system 2020, with USB interface, for coupling to any IQ SENSOR NET module	470020
Terminal IQ	Terminal for the IQ SENSOR NET System 2020, portable terminal with large, colored display, robust buttons and USB interface, without controller(-BackUp) function	470021
MIQ/TC 2020 3G-CR3	Multi-parameter measuring converter, for connecting up to 20 IQ sensors. Scope of supply: MIQ/TC 2020 3G Terminal/Controller, MIQ/CR3 with 3 analog outputs (0/4-20 mA) and 3 relays, MIQ/PS wide-range power supply	470022
MIQ/TC 2020 3G-C6	Multi-parameter measuring converter, for connecting up to 20 IQ sensors. Scope of supply: MIQ/TC 2020 3G Terminal/Controller, MIQ/C6 with 6 analog outputs (0/4-20 mA), MIQ/PS wide-range power supply	470024
MIQ/TC 2020 3G-EF	Multi parameter Controller to connect up to 20 IQ sensors. Scope of delivery: MIQ/TC 2020 3G Terminal/Controller, MIQ/MC3 Controller with Ethernet interface (Modbus TCP, Ethernet/IP, PROFINET), MIQ/PS wide range power supply	470026
Power Supply		
MIQ/PS	Module IQ/Power Supply, wide-range power supply for system 2020 and 28X, power output max. 18 W, 3 idle IQ SENSOR NET connections	480004
MIQ/24V	Module IQ/24V, power supply for 24 VAC / 24 VDC input voltage, for system 2020 and 28X, power output max. 18 W, 3 idle IQ SENSOR NET connections	480006
Outputs, Inputs and Communication		
MIQ/3-MOD	Module IQ with MODBUS connection and automatic air pressure compensation (can be used only with MIQ/TC 2020 3G) (Please order separately D-SUB connection ADA/D-SUB 902888)	471026
MIQ/3-PR	Module IQ with PROFIBUS connection and automatic air pressure compensation (can be used only with MIQ/TC 2020 3G) (Please order separately D-SUB connection ADA/D-SUB 902888)	471027
MIQ/R6	Module IQ/Relais 6, for system 2020 and 282/284, with 6 relays (240 VAC/2 A)	480013
MIQ/CR3	Module IQ/Current Relais 3, for System 2020 and 28X, with 3 analog (0/4-20 mA) and 3 relay outputs (250 VAC/5 A)	480014
MIQ/C6	Module IQ/Current 6, for system 2020 and 28X, with 6 (0) 4 - 20 mA outputs	480015
MIQ/IC2	Module IQ/input current with 2 (0) 4 - 20 mA inputs, for system 2020 and 282/284	480016
System Extension		
MIQ/JB	Module IQ/Junction Box for system 2020 and 28X, 4 idle IQ SENSOR NET connections	480008
MIQ/JBR	Module IQ/Junction Box Repeater for system 2020, with integrated bidirectional signal amplifier (repeater)	480010
MIQ/WL PS	Module IQ Wireless, for cable free communication within the IQ Sensor Net System 28X and System 2020. Extension module for starter set MIQ/WL PS SET (480025).	480023
MIQ/WL PS SET	Modul IQ/Wireless, for cable free communication within the IQ Sensor Net System 28X and System 2020. Starterset consists of 1 Master and 1 Slave. Extension with MIQ/WL PS (480023) possible.	480025
Controller (no Terminal)		
MIQ/MC3	Module IQ/microcontroller for system 2020, for up to 20 IQ sensors, in module housing, with automatic air pressure compensation, USB interface (IP66), Ethernet RJ45 interface (IP 66)	471020
MIQ/MC3-MOD	Module IQ/microcontroller for system 2020, for up to 20 IQ sensors, with MODBUS connection, automatic air pressure compensation as well as USB interface (IP 66) and Ethernet interface (IP 66) (Please order separately D-SUB connection ADA/D-SUB 902888)	471022
MIQ/MC3-PR	Module IQ/microcontroller for system 2020, for up to 20 IQ sensors, with PROFIBUS connection, automatic air pressure compensation as well as USB interface (IP 66) and Ethernet interface (IP 66) (Please order separately D-SUB connection ADA/D-SUB 902888)	471023

* , ** , *** , **** , ***** An additional charge per meter must be added to the base price (see page 2)

IQ SENSOR NET - System 2020

Model	Description	Order No.
Others		
MIQ/CHV PLUS	Module IQ/Cleaning Head Valve, for automatic air cleaning controlled by a relay or the IQ SENSOR NET (relay and compressed air supply external)	480018
EW/1	Set of 4 cable glands M20 required for cable sheaths with an outside diameter of more than 10 mm.	480051
ADA/D-SUB	D-SUB connection for Profibus and Modbus connections for the IQ 2020 and 282/284 systems.	902888
Connection Cables and Mounting Material for Systems 2020 and 282/284		
SD/K 170	Sun shield for outdoor installation of junction boxes (e.g. junction box KI/pH 170) or an IQ SENSOR NET module	109284
MR/SD 170	Mounting kit for attaching sun shields to pipes	109286
SSH/IQ	Sun shield for mounting of IQ SENSOR NET modules and series 171/170 monitors to mounting stands	109295
SNCIQ - SO	Specific two-wire IQ SENSOR NET cable with shield for safe power/information transfer within the IQ SENSOR NET system. Please indicate cable length in m when ordering: min.: 20 m, max.: 350 m	480046V ^(***)
SNCIQ/UG- SO	Specific two-wire IQ SENSOR NET cable with shield for safe power/information transfer within the IQ SENSOR NET system, esp. for use in underground. Please indicate cable length in m when ordering: min.: 20 m, max.: 200 m	480047V ^(*****)
PMS/IQ	Kit for panel mounting of IQ SENSOR NET modules	480048
PMS/IQ-X	PMS/IQ-X - for panel mounting of IQ SENSOR NET System 282/284. Recommended for versions with -PR, -MOD or -E(F).	480049
THS/IQ	Kit for top hat rail mounting of IQ SENSOR NET modules	480050
WMS/IQ	Kit for wall mounting of IQ SENSOR NET modules	480052
SNCIQ-100	Specific two-wire IQ SENSOR NET cable with shield for safe power/information transfer within the IQ SENSOR NET system. Cable reel with 100 m (109 yds)	480068
SNCIQ-200	Specific two-wire IQ SENSOR NET cable with shield for safe power/information transfer within the IQ SENSOR NET system. Cable reel with 200 m (119 yds)	480069
SNCIQ-250	Specific two-wire IQ SENSOR NET cable with shield for safe power/information transfer within the IQ SENSOR NET system. Cable reel with 250 m (273 yds)	480070
SNCIQ-500	Specific two-wire IQ SENSOR NET cable with shield for safe power/information transfer within the IQ SENSOR NET system. Cable reel with 500 m (547 yds).	480072
SNCIQ/UG-250	Specific two-wire IQ SENSOR NET cable with shield for safe power/information transfer within the IQ SENSOR NET system, esp. for use in underground. Cable reel with 250 m (273 yds).	480075

*, **, ***, ****, ***** An additional charge per meter must be added to the base price (see page 2)

IQ SENSOR NET - System 282/284

Model	Description	Order No.
System 282/284		
Monitors for up to 2 digital sensors		
DIQ/S 282-CR3	Universal Transmitter to operate up to 2 digital IQ sensors, with 3 x 0(4) ... 20 mA, 3 x Relays	472110
DIQ/S 282-PR	Universal Transmitter to operate up to 2 digital IQ sensors, with PROFIBUS-connection, 3 x Relays (Please order separately D-SUB connection ADA/D-SUB 902 888)	472111
DIQ/S 282-MOD	Universal Transmitter to operate up to 2 digital IQ sensors, with MODBUS-connection, 3 x Relays (Please order separately D-SUB connection ADA/D-SUB 902 888)	472112
DIQ/S 282-CR3-E	Universal Transmitter to operate up to 2 digital IQ sensors, with 3 x 0(4) ... 20 mA, 3 x Relays, with RJ45 interface for internet connection and remote control	472113
DIQ/S 282-EF	Universal Transmitter to operate up to 2 digital IQ sensors, with Ethernet fieldbuses, internet connection and remote control, 3 x Relays	472114
DIQ/S 282-HART	Dual IQ/System 282, universal controller to connect 2 digital IQ sensor with HART, 1 analog output via HART module (0/4 - 20 mA), 2 relays, 100 ... 240 VAC	472115
DIQ/S 282-CR3/24V	Universal Transmitter to operate up to 2 digital IQ sensors, with 3 x 0(4) ... 20 mA, 3 x Relays, for 24 V AC/DC power supply	472120
DIQ/S 282-PR/24V	Universal Transmitter to operate up to 2 digital IQ sensors, with PROFIBUS-connection, 3 x Relays, for 24 V AC/DC power supply (Please order separately D-SUB connection ADA/D-SUB 902 888)	472121
DIQ/S 282-MOD/24V	Universal Transmitter to operate up to 2 digital IQ sensors, with MODBUS-connection, 3 x Relays, for 24 V AC/DC power supply (Please order separately D-SUB connection ADA/D-SUB 902 888)	472122
DIQ/S 282-CR3-E/24V	Universal Transmitter to operate up to 2 digital IQ sensors, with 3 x 0(4) ... 20 mA, 3 x Relays, with RJ45 interface for internet connection and remote control, for 24 V AC/DC power supply	472123
DIQ/S 282-EF/24V	Universal Transmitter to operate up to 2 digital IQ sensors, with Ethernet fieldbuses, internet connection and remote control, 3 x Relays, for 24 V AC/DC power supply	472124
Monitors for up to 4 digital sensors		
DIQ/S 284-CR3	Universal Transmitter to operate up to 4 digital IQ sensors, with 3 x 0(4) ... 20 mA, 3 x Relays	472129
DIQ/S 284-CR6	Universal Transmitter to operate up to 4 digital IQ sensors, with 6 x 0(4) ... 20 mA, 6 x Relays	472130
DIQ/S 284-PR	Universal Transmitter to operate up to 4 digital IQ sensors, with PROFIBUS-connection, 3 x Relays (Please order separately D-SUB connection ADA/D-SUB 902 888)	472131
DIQ/S 284-MOD	Universal Transmitter to operate up to 4 digital IQ sensors, with MODBUS-connection, 3 x Relays (Please order separately D-SUB connection ADA/D-SUB 902 888)	472132
DIQ/S 284-CR6-E	Universal Transmitter to operate up to 4 digital IQ sensors, with 6 x 0(4) ... 20 mA, 6 x Relays, with RJ45 interface for internet connection and remote control	472133
DIQ/S 284-EF	Universal Transmitter to operate up to 4 digital IQ sensors, with Ethernet fieldbuses, internet connection and remote control, 3 x Relays	472134
DIQ/S 284-CR6/24V	Universal Transmitter to operate up to 4 digital IQ sensors, with 6 x 0(4) ... 20 mA, 6 x Relays, for 24 V AC/DC power supply	472140
DIQ/S 284-PR/24V	Universal Transmitter to operate up to 4 digital IQ sensors, with PROFIBUS-connection, 3 x Relays, for 24 V AC/DC power supply (Please order separately D-SUB connection ADA/D-SUB 902 888)	472141
DIQ/S 284-MOD/24V	Universal Transmitter to operate up to 4 digital IQ sensors, with MODBUS-connection, 3 x Relays, for 24 V AC/DC power supply (Please order separately D-SUB connection ADA/D-SUB 902 888)	472142
DIQ/S 284-CR6-E/24V	Universal Transmitter to operate up to 4 digital IQ sensors, with 6 x 0(4) ... 20 mA, 6 x Relays, with RJ45 interface for internet connection and remote control, for 24 V AC/DC power supply	472143
DIQ/S 284-EF/24V	Universal Transmitter to operate up to 4 digital IQ sensors, with Ethernet fieldbuses, internet connection and remote control, 3 x Relays, for 24 V AC/DC power supply	472144

* , ** , *** , **** , ***** An additional charge per meter must be added to the base price (see page 2)

IQ SENSOR NET - System 282/284

Model	Description	Order No.
DIQ Module		
DIQ/JB	Dual IQ/Junction box for connection of a second or an IQ sensor in bigger distance to the system 28X	472005
DIQ/CHV	Dual IQ/Cleaning Head Valve for automatic air cleaning controlled by a relay, for system 28X, (relay and compressed air supply external)	472007
MIQ Modules, Cables for System Supplement, Accessories		
MIQ/PS	Module IQ/Power Supply, wide-range power supply for system 2020 and 28X, power output max. 18 W, 3 idle IQ SENSOR NET connections	480004
MIQ/24V	Module IQ/24V, power supply for 24 VAC / 24 VDC input voltage, for system 2020 and 28X, power output max. 18 W, 3 idle IQ SENSOR NET connections	480006
MIQ/JB	Module IQ/Junction Box for system 2020 and 28X, 4 idle IQ SENSOR NET connections	480008
MIQ/R6	Module IQ/Relais 6, for system 2020 and 282/284, with 6 relays (240 VAC/2 A)	480013
MIQ/CR3	Module IQ/Current Relais 3, for System 2020 and 28X, with 3 analog (0/4-20 mA) and 3 relay outputs (250 VAC/5 A)	480014
MIQ/C6	Module IQ/Current 6, for system 2020 and 28X, with 6 (0) 4 - 20 mA outputs	480015
MIQ/IC2	Module IQ/input current with 2 (0) 4 - 20 mA inputs, for system 2020 and 282/284	480016
MIQ/CHV PLUS	Module IQ/Cleaning Head Valve, for automatic air cleaning controlled by a relay or the IQ SENSOR NET (relay and compressed air supply external)	480018
MIQ/WL PS	Module IQ Wireless, for cable free communication within the IQ Sensor Net System 28X and System 2020. Extension module for starter set MIQ/WL PS SET (480025).	480023
MIQ/WL PS SET	Modul IQ/Wireless, for cable free communication within the IQ Sensor Net System 28X and System 2020. Starter set consists of 1 Master and 1 Slave. Extension with MIQ/WL PS (480023) possible.	480025
SNCIQ - SO	Specific two-wire IQ SENSOR NET cable with shield for safe power/information transfer within the IQ SENSOR NET system. Please indicate cable length in m when ordering: min.: 20 m, max.: 350 m	480046V(***)
SNCIQ/UG- SO	Specific two-wire IQ SENSOR NET cable with shield for safe power/information transfer within the IQ SENSOR NET system, esp. for use in underground. Please indicate cable length in m when ordering: min.: 20 m, max.: 200 m	480047V(****)
SNCIQ-100	Specific two-wire IQ SENSOR NET cable with shield for safe power/information transfer within the IQ SENSOR NET system. Cable reel with 100 m (109 yds)	480068
SNCIQ-200	Specific two-wire IQ SENSOR NET cable with shield for safe power/information transfer within the IQ SENSOR NET system. Cable reel with 200 m (119 yds)	480069
SNCIQ-250	Specific two-wire IQ SENSOR NET cable with shield for safe power/information transfer within the IQ SENSOR NET system. Cable reel with 250 m (273 yds)	480070
SNCIQ/UG-250	Specific two-wire IQ SENSOR NET cable with shield for safe power/information transfer within the IQ SENSOR NET system, esp. for use in underground. Cable reel with 250 m (273 yds).	480075
ADA/D-SUB	D-SUB connection for Profibus and Modbus connections for the IQ 2020 and 282/284 systems.	902888
ADA/E	Connector for the Ethernet interface (RJ45) on controllers of System 282/284. Ensures protection IP67 when Ethernet cable is connected outdoor.	902890
Connection Cables and Mounting Material for Systems 2020 and 282/284		
SD/K 170	Sun shield for outdoor installation of junction boxes (e.g. junction box KI/pH 170) or an IQ SENSOR NET module	109284
MR/SD 170	Mounting kit for attaching sun shields to pipes	109286
SSH/IQ	Sun shield for mounting of IQ SENSOR NET modules and series 171/170 monitors to mounting stands	109295
SNCIQ - SO	Specific two-wire IQ SENSOR NET cable with shield for safe power/information transfer within the IQ SENSOR NET system. Please indicate cable length in m when ordering: min.: 20 m, max.: 350 m	480046V(***)

* , ** , *** , **** , ***** An additional charge per meter must be added to the base price (see page 2)

IQ SENSOR NET - System 282/284

Model	Description	Order No.
SNCIQ/UG- SO	Specific two-wire IQ SENSOR NET cable with shield for safe power/information transfer within the IQ SENSOR NET system, esp. for use in underground. Please indicate cable length in m when ordering: min.: 20 m, max.: 200 m	480047V(*****)
PMS/IQ	Kit for panel mounting of IQ SENSOR NET modules	480048
PMS/IQ-X	PMS/IQ-X - for panel mounting of IQ SENSOR NET System 282/284. Recommended for versions with -PR, -MOD or -E(F).	480049
THS/IQ	Kit for top hat rail mounting of IQ SENSOR NET modules	480050
WMS/IQ	Kit for wall mounting of IQ SENSOR NET modules	480052
SNCIQ-100	Specific two-wire IQ SENSOR NET cable with shield for safe power/information transfer within the IQ SENSOR NET system. Cable reel with 100 m (109 yds)	480068
SNCIQ-200	Specific two-wire IQ SENSOR NET cable with shield for safe power/information transfer within the IQ SENSOR NET system. Cable reel with 200 m (119 yds)	480069
SNCIQ-250	Specific two-wire IQ SENSOR NET cable with shield for safe power/information transfer within the IQ SENSOR NET system. Cable reel with 250 m (273 yds)	480070
SNCIQ-500	Specific two-wire IQ SENSOR NET cable with shield for safe power/information transfer within the IQ SENSOR NET system. Cable reel with 500 m (547 yds).	480072
SNCIQ/UG-250	Specific two-wire IQ SENSOR NET cable with shield for safe power/information transfer within the IQ SENSOR NET system, esp. for use in underground. Cable reel with 250 m (273 yds).	480075

*, **, ***, ****, ***** An additional charge per meter must be added to the base price (see page 2)

IQ SENSOR NET - System 281

Model	Description	Order No.
System 281		
Monitors for 1 digital IQ sensor		
DIQ/S 281-CR2	Universal Transmitter to operate up 1 digital IQ sensor, with 2 x 0(4) ... 20 mA, 2 x Relays	472103
DIQ/S 281-CR2/24V	Universal Transmitter to operate 1 digital IQ sensor, with 2 x 0(4) ... 20 mA, 2 x Relays, for 24 V AC/DC power supply	472104
DIQ/S 281-MOD	Dual IQ/System 281, universal controller to connect 1 digital IQ sensor with Modbus RTU and 2 relays, 100 ... 240 VAC	472105
DIQ/S 281-HART	Dual IQ/System 281, universal controller to connect 1 digital IQ sensor with HART, 1 analog output via HART module (0/4 - 20 mA), 2 relays, 100 ... 240 VAC	472106
DIQ modules for System 281		
DIQ/JB	Dual IQ/Junction box for connection of a second or an IQ sensor in bigger distance to the system 28X	472005
DIQ/CHV	Dual IQ/Cleaning Head Valve for automatic air cleaning controlled by a relay, for system 28X, (relay and compressed air supply external)	472007
MIQ modules for System 281		
MIQ/PS	Module IQ/Power Supply, wide-range power supply for system 2020 and 28X, power output max. 18 W, 3 idle IQ SENSOR NET connections	480004
MIQ/24V	Module IQ/24V, power supply for 24 VAC / 24 VDC input voltage, for system 2020 and 28X, power output max. 18 W, 3 idle IQ SENSOR NET connections	480006
MIQ/JB	Module IQ/Junction Box for system 2020 and 28X, 4 idle IQ SENSOR NET connections	480008
MIQ/CR3	Module IQ/Current Relais 3, for System 2020 and 28X, with 3 analog (0/4-20 mA) and 3 relay outputs (250 VAC/5 A)	480014
MIQ/C6	Module IQ/Current 6, for system 2020 and 28X, with 6 (0) 4 - 20 mA outputs	480015
MIQ/WL PS	Module IQ Wireless, for cable free communication within the IQ Sensor Net System 28X and System 2020. Extension module for starter set MIQ/WL PS SET (480025).	480023
MIQ/WL PS SET	Modul IQ/Wireless, for cable free communication within the IQ Sensor Net System 28X and System 2020. Starter set consists of 1 Master and 1 Slave. Extension with MIQ/WL PS (480023) possible.	480025
Digital IQ sensors		
SensoLyt® 700 IQ	Robust digital pH/ORP sensor for pH/ORP electrodes SensoLyt® SEA/DWA/ECA/PtA for use with the IQ SENSOR NET. With built-in pre-amplifier and temperature sensor (NTC), with SensCheck function, without connection cable (please order SACIQ separately)	109170
SensoLyt® 700 IQ SW	Robust digital pH/ORP sensor for SensoLyt® SEA/ DWA/ECA/PtA pH/ORP electrodes, in sea water design, for use with the IQ SENSOR NET. With built-in pre-amplifier and temperature sensor (NTC), with SensCheck function, without connection cable (please order SACIQ separately)	109171
TriOxmatic® 700 IQ	Universal digital D.O. sensor for monitoring/controlling O2 input in wastewater treatment plants for use with IQ SENSOR NET. Supplied with accessory kit (ZBK 600) comprising: 2 exchange membrane heads (WP 600/2), 50 ml electrolyte solution (ELY/A), 50 ml cleaning solution (RL-AG/Oxi), 1x cathode cleaner (SF 300), without connection cable (SACIQ order separately)	201640
TriOxmatic® 700 IQ SW	Universal digital D.O. sensor for monitoring/ controlling the O2 input, in sea water design, for use with IQ SENSOR NET. Supplied with accessory kit (ZBK 600) comprising: 2 exchange membrane heads (WP 600/2), 50 ml electrolyte solution (ELY/A), 50 ml cleaning solution (RL-AG/Oxi), 1 x cathode cleaner (SF 300), without connection cable (SACIQ order separately)	201641
FDO 700 IQ	Digital calibration free optical D.O. sensor (universal use). Optimized for monitoring/controlling the O2 input in wastewater treatment plants, for use with IQ SENSOR NET. Factory calibrated system composed of sensor FDO® 700 IQ and membrane cap SC-FDO® 700, without connection cable (SACIQ order separately)	201650

*, **, ***, ****, ***** An additional charge per meter must be added to the base price (see page 2)

IQ SENSOR NET - System 281

Model	Description	Order No.
FDO® 700 IQ SW	Digital calibration free optical D.O. sensor (universal use). Optimized for measuring and controlling the O2 input in seawater applications, for use with IQ SENSOR NET. Factory calibrated system composed of sensor FDO® 700 IQ SW, membrane cap SC-FDO® 700 and protective cap MSK FDO®, without connection cable (SACIQ order separately).	201652
FDO 701 IQ SW	Digital calibration free optical D.O. sensor with fast response time (universal use). Optimized for measuring/controlling the O2 input in seawater applications, for use with IQ SENSOR NET. Factory calibrated system composed of sensor FDO® 700 IQ SW, membrane cap SC-FDO® 701 and protective cap MSK FDO®, without connection cable (SACIQ order separately)	201653
FDO 701 IQ	Digital calibration free optical D.O. sensor with fast response time (universal use). Optimized for monitoring/controlling the O2 input in waste water treatment plants, for use with IQ SENSOR NET. Factory calibrated system composed of sensor FDO® 700 IQ and membrane cap SC-FDO® 701, without connection cable (SACIQ order separately).	201660
TetraCon® 700 IQ	Digital 4 electrode conductivity cell, especially for heavily polluted wastewater, for use with the IQ SENSOR NET System. With integrated temperature sensor, without cable (Please order SACIQ separately)	302500
TetraCon® 700 IQ SW	Digital 4 electrode conductivity cell, in seawater design, suited for heavily polluted water, for use with the IQ SENSOR NET. With integrated temperature sensor, without cable (Please order SACIQ separately)	302501
IFL 700 IQ	Digital ultrasonic sensor (60 mm) with automatic cleaning for interface level detection. Included: Sensor without sensor connection cable (please order SACIQ separately)	481200
VisoTurb® 700 IQ	Digital turbidity sensor for drinking water/water and wastewater (ultrasonic cleaning) for use with the IQ SENSOR NET system. Please order connection cable SACIQ separately.	600010
VisoTurb® 700 IQ SW	Digital turbidity sensor for industrial and seawater applications (ultrasonic cleaning) for use with the IQ SENSOR NET system. Please order connection cable separately.	600011
ViSolid® 700 IQ	Digital suspended solids sensor for water/wastewater/sludge (ultrasonic cleaning) for use with the IQ SENSOR NET system. Please order connection cable SACIQ separately.	600012
ViSolid® 700 IQ SW	Digital suspended solids sensor for industrial and seawater applications (ultrasonic cleaning) for use with the IQ SENSOR NET system. Please order connection cable separately.	600013
Accessories for System 281		
SACIQ-1,5	Sensor adapter cable for all IQ sensors, with IP 68 waterproof connection to the IQ SENSOR NET system. Cable length 1.5 m (4.9 ft)	480040
SACIQ-SO	Sensor adapter cable for all IQ sensors, with IP 68 waterproof connection to the IQ SENSOR NET system. Customized cable length up to 100 m (330 ft)	480041V(***)
SACIQ-7,0	Sensor adapter cable for all IQ sensors, with IP 68 waterproof connection to the IQ SENSOR NET system. Cable length 7 m (23 ft)	480042
SACIQ-15,0	Sensor adapter cable for all IQ sensors, with IP 68 waterproof connection to the IQ SENSOR NET system. Cable length 15 m (49 ft)	480044
SACIQ-20,0 SW	Sensor adapter cable for all IQ sensors, in seawater design, with IP 68 waterproof connection to the IQ SENSOR NET system. Cable length 20 m (65 ft), with screwable SACIQ-Plug	480045
SNCIQ - SO	Specific two-wire IQ SENSOR NET cable with shield for safe power/information transfer within the IQ SENSOR NET system. Please indicate cable length in m when ordering: min.: 20 m, max.: 350 m	480046V(***)
SNCIQ/UG- SO	Specific two-wire IQ SENSOR NET cable with shield for safe power/information transfer within the IQ SENSOR NET system, esp. for use in underground. Please indicate cable length in m when ordering: min.: 20 m, max.: 200 m	480047V(****)

* , ** , *** , **** , ***** An additional charge per meter must be added to the base price (see page 2)

Level

Model	Description	Order No.
Hydrostatic level transmitter, measurement range [m]		
Expert 7060, piezoresistive (relative pressure), PP housing, diameter 60 mm		
H-LTU/7060/3/C12	Hydrostatic level transmitter Expert 7060, measurement range 0-3 m, 4-20 mA output signal, 12 m cable; including cable suspension.	202980
H-LTU/7060/3/C20	Hydrostatic level transmitter Expert 7060, measurement range 0-3 m, 4-20 mA output signal, 20 m cable; including cable suspension.	202980-20
H-LTU/7060/3/C35	Hydrostatic level transmitter Expert 7060, measurement range 0-3 m, 4-20 mA output signal, 35 m cable; including cable suspension.	202980-35
H-LTU/7060/5/C12	Hydrostatic level transmitter Expert 7060, measurement range 0-5 m, 4-20 mA output signal, 12 m cable; including cable suspension.	202982
H-LTU/7060/5/C20	Hydrostatic level transmitter Expert 7060, measurement range 0-5 m, 4-20 mA output signal, 20 m cable; including cable suspension.	202982-20
H-LTU/7060/10/C12	Hydrostatic level transmitter Expert 7060, measurement range 0-10 m, 4-20 mA output signal, 12 m cable; including cable suspension.	202985
H-LTU/7060/10/C20	Hydrostatic level transmitter Expert 7060, measurement range 0-10 m, 4-20 mA output signal, 20 m cable; including cable suspension.	202985-20
Expert 7070, piezoresistive (relative pressure), stainless steel housing, diameter 22 mm		
H-LTU/7070/3/C12	Hydrostatic level transmitter Expert 7070, measurement range 0-3 m, 4-20 mA output signal, 12 m cable; including cable suspension.	202950
H-LTU/7070/10/C12	Hydrostatic level transmitter Expert 7070, measurement range 0-10 m, 4-20 mA output signal, 12 m cable; including cable suspension.	202955
H-LTU/7070/30/C35	Hydrostatic level transmitter Expert 7070, measurement range 0-30 m, 4-20 mA output signal, 35 m cable; including cable suspension.	202960
H-LTU/7070D/10/C12	Hydrostatic level transmitter Expert 7060, measurement range 0-10 m, ModBus RS485 output signal, 12 m cable; including cable suspension.	203782
Expert 3400, ceramic capacitive (relative pressure), PPS housing, diameter 60 mm, ATEX		
H-LTU/3400/3/C12	Hydrostatic level transmitter Expert 3400 for hazardous areas ATEX II 2G EX ia IIC T6T4, measurement range 0-3 m, 4-20 mA output signal, 12 m cable; including cable suspension.	203953
H-LTU/3400/2/C12	Hydrostatic level transmitter Expert 3400 for hazardous areas ATEX II 2G EX ia IIC T6T4, measurement range 0-2 m, 4-20 mA output signal, 12 m cable; including cable suspension.	203953-2
H-LTU/3400/5/C12	Hydrostatic level transmitter Expert 3400 for hazardous areas ATEX II 2G EX ia IIC T6T4, measurement range 0-5 m, 4-20 mA output signal, 12 m cable; including cable suspension.	203954
H-LTU/3400/5/C20	Hydrostatic level transmitter Expert 3400 for hazardous areas ATEX II 2G EX ia IIC T6T4, measurement range 0-5 m, 4-20 mA output signal, 20 m cable; including cable suspension.	203954-20
H-LTU/3400/5/C35	Hydrostatic level transmitter Expert 3400 for hazardous areas ATEX II 2G EX ia IIC T6T4, measurement range 0-5 m, 4-20 mA output signal, 35 m cable; including cable suspension.	203954-35
H-LTU/3400/10/C12	Hydrostatic level transmitter Expert 3400 for hazardous areas ATEX II 2G EX ia IIC T6T4, measurement range 0-10 m, 4-20 mA output signal, 12 m cable; including cable suspension.	203955
H-LTU/3400/10/C35	Hydrostatic level transmitter Expert 3400 for hazardous areas ATEX II 2G EX ia IIC T6T4, measurement range 0-10 m, 4-20 mA output signal, 35 m cable; including cable suspension.	203955-35
H-LTU/3400/30/C35	Hydrostatic level transmitter Expert 3400 for hazardous areas ATEX II 2G EX ia IIC T6T4, measurement range 0-30 m, 4-20 mA output signal, 35 m cable; including cable suspension.	203956
H-LTU/T3400/3/C12	Hydrostatic level transmitter Expert T3400 for hazardous areas ATEX II 2G EX ia IIC T6T4, measurement range 0-3 m, 4-20 mA output signal, 12 m cable, with ISO top thread for fixed mounting in strong currents; including cable suspension.	203963
Expert 1400, ceramic capacitive (relative pressure), stainless steel housing, diameter 22 mm, ATEX		
H-LTU/1400/3/C12	Hydrostatic level transmitter Expert 1400 for hazardous areas ATEX II 2G EX ia IIC T6T4, measurement range 0-3 m, 4-20 mA output signal, 12 m cable; including cable suspension.	203913
H-LTU/1400/5/C12	Hydrostatic level transmitter Expert 1400 for hazardous areas ATEX II 2G EX ia IIC T6T4, measurement range 0-5 m, 4-20 mA output signal, 12 m cable; including cable suspension.	203914

*, **, ***, ****, ***** An additional charge per meter must be added to the base price (see page 2)

Level

Model	Description	Order No.
H-LTU/1400/10/C12	Hydrostatic level transmitter Expert 1400 for hazardous areas ATEX II 2G EX iaIIC T6T4, measurement range 0-10 m, 4-20 mA output signal, 12 m cable; including cable suspension.	203915
H-LTU/1400/10/C20	Hydrostatic level transmitter Expert 1400 for hazardous areas ATEX II 2G EX iaIIC T6T4, measurement range 0-10 m, 4-20 mA output signal, 20 m cable; including cable suspension.	203915-20
H-LTU/1400/30/C35	Hydrostatic level transmitter Expert 1400 for hazardous areas ATEX II 2G EX iaIIC T6T4, measurement range 0-30 m, 4-20 mA output signal, 35 m cable; including cable suspension.	203916
H-LTU/1400/SG/100/C110	Hydrostatic level transmitter Expert 1400 for hazardous areas ATEX II 2G EX iaIIC T6T4, seal gate, measurement range 0-100 m, 4-20 mA output signal, 110 m cable; including cable suspension.	203917
Hydrostatic level transmitter, measurement range [ft]		
Expert 2100, piezoresistive (relative pressure), PP housing, diameter 2.36 inch		
H-LTU/2100/10FT/C39	Hydrostatic level transmitter Expert 2100, measurement range 0-10 ft, 4-20 mA output signal, 39 ft cable; including cable suspension.	209980
H-LTU/2100/10FT/C75	Hydrostatic level transmitter Expert 2100, measurement range 0-10 ft, 4-20 mA output signal, 75 ft cable; including cable suspension.	209980-75
H-LTU/2100/15FT/C39	Hydrostatic level transmitter Expert 2100, measurement range 0-15 ft, 4-20 mA output signal, 39 ft cable; including cable suspension.	209982
H-LTU/2100/15FT/C65	Hydrostatic level transmitter Expert 2100, measurement range 0-15 ft, 4-20 mA output signal, 65 ft cable; including cable suspension.	209982-65
H-LTU/2100/30FT/C39	Hydrostatic level transmitter Expert 2100, measurement range 0-30 ft, 4-20 mA output signal, 39 ft cable; including cable suspension.	209985
H-LTU/2100/30FT/C75	Hydrostatic level transmitter Expert 2100, measurement range 0-30 ft, 4-20 mA output signal, 75 ft cable; including cable suspension.	209985-75
H-LTU/2100/100FT/C115	Hydrostatic level transmitter Expert 2100, measurement range 0-100 ft, 4-20 mA output signal, 115 ft cable; including cable suspension.	209990
Expert 1100, piezoresistive (relative pressure), stainless steel housing, diameter 0.87 inch		
H-LTU/1100/10FT/C39	Hydrostatic level transmitter Expert 1100, measurement range 0-10 ft, 4-20 mA output signal, 39 ft cable; including cable suspension.	209950
H-LTU/1100/30FT/C39	Hydrostatic level transmitter Expert 1100, measurement range 0-30 ft, 4-20 mA output signal, 39 ft cable; including cable suspension.	209955
H-LTU/1100/100FT/C115	Hydrostatic level transmitter Expert 1100, measurement range 0-100 ft, 4-20 mA output signal, 115 ft cable; including cable suspension.	209960-115
Expert 3400, ceramic capacitive (relative pressure), PPS housing, diameter 2.36 inch, ATEX		
H-LTU/3400D/10/C12	Hydrostatic level transmitter Expert 3400D, digital, 0-10 m, 12 m cable	203975
H-LTU/3400/3FT/C100	Hydrostatic level transmitter Expert 3400 for hazardous areas ATEX II 2G EX iaIIC T6T4, measurement range 0-3 ft, 4-20 mA output signal, 39 ft cable; including cable suspension.	209922
H-LTU/3400/10FT/C39	Hydrostatic level transmitter Expert 3400 for hazardous areas ATEX II 2G EX iaIIC T6T4, measurement range 0-10 ft, 4-20 mA output signal, 39 ft cable; including cable suspension.	209923
H-LTU/3400/10FT/C50	Hydrostatic level transmitter Expert 3400 for hazardous areas ATEX II 2G EX iaIIC T6T4, measurement range 0-10 ft, 4-20 mA output signal, 50 ft cable; including cable suspension.	209923-50
H-LTU/3400/30FT/C39	Hydrostatic level transmitter Expert 3400 for hazardous areas ATEX II 2G EX iaIIC T6T4, measurement range 0-30 ft, 4-20 mA output signal, 39 ft cable; including cable suspension.	209925
H-LTU/3400/30FT/C100	Hydrostatic level transmitter Expert 3400 for hazardous areas ATEX II 2G EX iaIIC T6T4, measurement range 0-30 ft, 4-20 mA output signal, 39 ft cable; including cable suspension.	209925-100
H-LTU/3400/30FT/C75	Hydrostatic level transmitter Expert 3400 for hazardous areas ATEX II 2G EX iaIIC T6T4, measurement range 0-30 ft, 4-20 mA output signal, 75 ft cable; including cable suspension.	209925-75
H-LTU/3400/100FT/C115	Hydrostatic level transmitter Expert 3400 for hazardous areas ATEX II 2G EX iaIIC T6T4, measurement range 0-100 ft, 4-20 mA output signal, 115 ft cable; including cable suspension.	209926
Expert 1400, ceramic capacitive (relative pressure), stainless steel housing, diameter 0.87 inch, ATEX		

* , ** , *** , **** , ***** An additional charge per meter must be added to the base price (see page 2)

Level

Model	Description	Order No.
H-LTU/1400/10FT/C39	Hydrostatic level transmitter Expert 1400 for hazardous areas ATEX II 2G EX iaIIC T6T4, measurement range 0-10 ft, 4-20 mA output signal, 39 ft cable; including cable suspension.	209913
H-LTU/1400/30FT/C39	Hydrostatic level transmitter Expert 1400 for hazardous areas, ATEX II 2G EX iaIIC T6T4, measurement range 0-30 ft, 4-20 mA output signal, 39 ft cable; including cable suspension.	209915
H-LTU/1400/100FT/C114	Hydrostatic level transmitter Expert 1400 for hazardous areas ATEX II 2G EX iaIIC T6T4, measurement range 0-100 ft, 4-20 mA output signal, 114 ft cable; including cable suspension.	209916
H-LTU/1400/SG/300FT	Hydrostatic level transmitter Expert 1400 for hazardous areas ATEX II 2G EX iaIIC T6T4, seal gate, measurement range 0-300 ft, 4-20 mA output signal, 300 ft cable; including cable suspension.	209917
Hydrostatic level measurement Accessories		
H-LTU/assess/ConBox	Junction box 4-20 mA	202922
H-LTU/assess/ProgInt1	Programming interface Expert 1400/3400	203990
H-LTU/assess/ProgInt2	Programming interface Expert 7060/7070/3400D	203992
H-LTU/7060/cable_mount	Cable relief/suspension for Expert hydrostatic level transmitters	560914
FS-LTU/7030/cable_mount	Cable suspension for 7030	560916
Level on/off		
Float switch 7030		
FS-LTU/7030/C12	Float switch 7030 with 12 m/39 ft cable	202810
FS-LTU/7030/C20	Float switch 7030 with 20 m/ 65 ft cable	202811
FS-LTU/7030/C100FT	Float switch 7030 with 30 m/100 ft cable	202811-100
FS-LTU/7030/C150FT	Float switch 7030 with 50 m/150 ft cable	202811-150
FS-LTU/7030/C12/CW	Float switch 7030 with 12 m/39 ft cable and contra weight	202814
FS-LTU/7030/C100FT/CW	Float switch 7030 with 30 m/100 ft cable and contra weight	202814-100
FS-LTU/7030/C65FT/CW	Float switch 7030 with 20 m/65 ft cable and contra weight	202814-65
Float switch 7030 Accessories		
FS-LTU/7030/contra	Contra weight float switch 7030	560917

*, **, ***, ****, ***** An additional charge per meter must be added to the base price (see page 2)

Analogue measurement (pH/ORP, O2, Cond, Cl)

Model	Description	Order No.
pH/ORP Monitors		
pH 298 NTC	Monitor for direct connection of analogue pH/ORP electrodes, with 2 analog and relay outputs, Modbus, 115V/230V and NTC	191230
pH 298 NTC/24V	Monitor for direct connection of analogue pH/ORP electrodes, with 2 analog and relay outputs, Modbus, 24V and NTC	191231
pH 298 Pt100	Monitor for direct connection of analogue pH/ORP electrodes, with 2 analog and relay outputs, Modbus, 115V/230V and Pt100	191232
pH 298 Pt100/24V	Monitor for direct connection of analogue pH/ORP electrodes, with 2 analog and relay outputs, Modbus, 24V and Pt100	191233
pH 298 Pt1000	Monitor for direct connection of analogue pH/ORP electrodes, with 2 analog and relay outputs, Modbus, 115V/230V and Pt1000	191234
pH 298 Pt1000/24V	Monitor for direct connection of analogue pH/ORP electrodes, with 2 analog and relay outputs, Modbus, 24V and Pt1000	191235
Dissolved Oxygen Monitors		
Oxi 298 NTC	Monitor for direct connection of analogue oxygen sensors, with 2 analog and relay outputs, Modbus, 115V/230V and NTC	291230
Oxi 298 NTC/24V	Monitor for direct connection of analogue oxygen sensors, with 2 analog and relay outputs, Modbus, 24V and NTC	291231
Conductivity Monitors		
LF 298 NTC	Monitor for direct connection of analogue conductivity measuring cells, with 2 analog and relay outputs, Modbus, 115V/230V and NTC	391230
LF 298 NTC/24V	Monitor for direct connection of analogue conductivity measuring cells, with 2 analog and relay outputs, Modbus, 24V and NTC	391231
Analogue pH/ORP sensors		
SensoLyt® 650-7	pH sensor (passive) with high impedance signal transmission, for connection to analogue monitors. With built-in temperature sensor (NTC), with cable of 7 m (23 ft) and open cable ends	109195
Electrodes and accessories SensoLyt® 650-7		
SensoLyt® TFA	pH combination electrode especially suited for industrial or not typical municipal wastewater, with armouring for use in SensoLyt® sensors. With watertight S7 plug head (IP 67); measuring range 2 ... 12 pH	109114
SensoLyt® SEA	pH combination electrode especially suited for measurements in heavily polluted wastewater, with armouring for use in SensoLyt® sensors. With watertight S7 plug head (IP 67); measuring range 0 ... 12 pH	109115
SensoLyt® ECA	pH combination electrode esp. suited for normally polluted wastewater (e.g. municipal wastewater) with armouring for use in SensoLyt® sensors. With watertight S7 plug head (IP 67); measuring range 0 ... 12 pH	109117
SensoLyt® SEA-HP	pH combination electrode with optimized armouring for use under high pressure/temperature conditions, for installation in SensoLyt® sensors. With watertight S7 plug head (IP 67); measuring range 4 ... 12 pH	109118
SensoLyt® DWA	pH combination electrode especially for drinking water applications, for installation in sensors of SensoLyt® 650/690/700 (IQ) series. With watertight S7 plug head (IP 67); measuring range 0 ... 14 pH	109119
SensoLyt® PtA	ORP combination electrode especially suited for measurements in heavily polluted wastewater, for installation in SensoLyt® sensors. With watertight S7 plug head (IP 67); measuring range - 2000 ... + 2000 mV	109125
SensoLyt PtFA	ORP combination electrode especially suited for industrial or not typical municipal wastewater, for installation in SensoLyt® sensors. With watertight S7 plug head (IP 67); measuring range - 2000 ... + 2000 mV	109126
SensoLyt® 700-SK	Protecting cage (protection against strikes/ solids) for SensoLyt® pH/ORP electrodes within SensoLyt® sensors	109194
Analogue pH/ORP electrodes		
SensoLyt® Pt	ORP combination electrode for heavily polluted wastewater, for use in flow-thru vessels: D 700/N, D 530, D 300/pH etc. With watertight S7 plug head (IP67); measuring range: -2000 ... + 2000 mV	105412

* , ** , *** , **** , ***** An additional charge per meter must be added to the base price (see page 2)

Analogue measurement (pH/ORP, O2, Cond, Cl)

Model	Description	Order No.
SensoLyt® SE	pH combination electrode esp. suited for measurements in heavily polluted wastewater, for use in flow-thru vessel: D 700/N, D 530, D 300/pH etc. With watertight S7 plug head (IP 67); measuring range 0 ... 12 pH	109100
SensoLyt® EC	pH combination electrode especially suited for normally polluted wastewater (e.g. municipal wastewater). With watertight S7 plug head (IP 67); measuring range 0 ... 12 pH	109102
SensoLyt® DW	pH combination electrode especially for drinking water applications. With watertight S7 plug head (IP 67); measuring range 0 ... 14 pH	109103
Accessories analogue pH/ORP electrodes		
TFK 150	Temperature sensor for automatic temperature compensation with 3.3 ft (1 m) cable and waterproof plug	102274
TFK 325	Temperature sensor for automatic temperature compensation in aqueous solutions with 3.3 ft (1 m) cable and waterproof plug	102280
TFK 325-3	Temperature sensor for automatic temperature compensation in aqueous solutions including 3 m / 9.7 ft cable and waterproof plug (IP 67)	102282
TFK 325-EST-3,0	Temperature sensor (NTC), with R ½ inch-NPT- screw thread and weld-in socket (1.4571) for in-line mounting including 3 m cable and waterproof plug (IP 67)	102287
K 5 S	Coaxial electrode plug, 5 m coaxial cable, S plug (extension cable)	108461
AS 9-HI-6,0	Connecting cable with exposed cable ends for direct connection (high impedance) of pH electrodes to analogue monitors. Cable length 6 m (19 ft)	108507
TEP 4	Technical buffer solution, 1 bottle with 1 l: pH 4.01	108700
TEP 7	Technical buffer solution, 1 bottle with 1 l: pH 7.00	108702
TEP 10 Trace	Technical buffer solution, 1 bottle with 1 l: pH 10.01	108703
RH 28	ORP buffer solution pH 7, UH = 427 mV (CH), 1 bottle with 250 ml.	109740
Analogue Oxygen sensors		
TriOxmatic® 701-7	D.O. sensor with SensCheck, enhanced accuracy at low level D.O. concentrations (e.g. denitrification), for use with analogue monitor. Supplied with accessory kit (ZBK 25i) comprising: 2 exch. Membr. Heads (WP 25i/2), 50 ml electrolyte solution (ELY/A), 50 ml cleaning solution, 1x cathode cleaner (SF300), with integr. Temperature sensor (NTC), 7 m/23 ft cable and watertight plug	201678
TriOxmatic® 701-S0	D.O. sensor with SensCheck, enhanced accuracy at low level D.O. concentrations (e.g. denitrification), for use with analogue monitor. Supplied with accessory kit (ZBK 25i) comprising: 2 exch. Membr. Heads (WP 25i/2), 50 ml electrolyte solution (ELY/A), 50 ml cleaning solution, 1x cathode cleaner (SF300), with integr. Temperature sensor (NTC), customized cable length and watertight plug	201682V(*)
TriOxmatic® 690-7	Universal D.O. sensor for monitoring/controlling O2 input in wastewater treatment plants, for use with analogue monitor. Supplied with accessory kit (ZBK 600) comprising: 2 exch. Membr. Heads (WP 600/2), 50 ml electrolyte solution (ELY/A), 50 ml cleaning solution, 1x cathode cleaner (SF 300), with integrated temp. Sensor (NTC), 7 m/23 ft cable and watertight plug	201690
TriOxmatic® 690-15	Universal D.O. sensor for monitoring/controlling O2 input in wastewater treatment plants, for use with analogue monitor. Supplied with accessory kit (ZBK 600) comprising: 2 exch. Membr. Heads (WP 600/2), 50 ml electrolyte solution (ELY/A), 50 ml cleaning solution, 1x cathode cleaner (SF 300), with integrated temp. Sensor (NTC), 15 m/49 ft cable and watertight plug	201692
Accessories analogue Oxygen sensors		
ADA/AMPH	Adapter for direct connection of D.O./pH sensors of series TriOxmatic® and SensoLyt® 700/690 to analogue monitors of Oxi/pH 29X series	108592
Analogue Conductivity measuring cells		
TetraCon® 325	4-electrode conductivity cell with built-in temperature sensor, 1.5 m (4.9 ft) cable and waterproof plug, cell constant K = 0.475 cm-1	301960
LR 325/01	Ultrapure water conductivity cell with built-in temperature sensor and waterproof plug, cell constant K = 0.1 cm-1, glass flow-through vessel D01/T.	301961
LR 325/001	Trace conductivity cell with built-in temperature sensor, cable and waterproof plug, cell constant K = 0.01 cm-1, stainless steel flow-through vessel.	301962

* , ** , *** , **** , ***** An additional charge per meter must be added to the base price (see page 2)

Analogue measurement (pH/ORP, O2, Cond, Cl)

Model	Description	Order No.
KKDU 325	Connection cable, 3.3 ft (1 m), 8-pin plug, for flow-through conductivity cells TetraCon® DU/T, TetraCon® DU/TH, KDU 1/T and KDU 1/TH	301963
TetraCon® 325-3	4-electrode conductivity cell with built-in temperature sensor, 3 m (9.8 ft) cable and waterproof plug, cell constant K = 0.475 cm ⁻¹ .	301970
TetraCon® 325-6	4-electrode conductivity cell with built-in temperature sensor, 6 m (19.8 ft) cable and waterproof plug, cell constant K = 0.475 cm ⁻¹ .	301971
TetraCon® 325-10	4-electrode conductivity cell with built-in temperature sensor, 10 m (33 ft) cable and waterproof plug, cell constant K = 0.475 cm ⁻¹ .	301972
TetraCon® 325-15	4-electrode conductivity cell with built-in temperature sensor, 15 m (49 ft) cable and waterproof plug, cell constant K = 0.475 cm ⁻¹ .	301973
TetraCon® 325-20	4-electrode conductivity cell with built-in temperature sensor, 20 m (65 ft) cable and waterproof plug, cell constant K = 0.475 cm ⁻¹ .	301974
LRD 01-1,5	2 electrode screw-in conductivity cell, 1/2 inch NPT, for use with analogue monitors. With integrated temperature sensor, 1.5 m (4.9 ft) cable and watertight plug (IP68)	302220
LRD 01-7	2 electrode screw-in conductivity cell, 1/2 inch NPT, for use with analogue monitors. With integrated temperature sensor, 7 m (23 ft) cable and watertight plug (IP68)	302222
LRD 325-1,5	4 electrode screw-in conductivity cell, 1/2 inch NPT, for use with analogue monitors. With integrated temperature sensor, 1.5 m (4.9 ft) cable and watertight plug (IP68)	302225
LRD 325-7	4 electrode screw-in conductivity cell, 1/2 inch NPT, for use with analogue monitors. With integrated temperature sensor, 7 m (23 ft) cable and watertight plug (IP68)	302229
Accessories analogue Conductivity measuring cells		
EST-LRD	V4A-stainless steel (1.4571) weld-in socket ½ inch NPT for installation of LRD 01 or LRD 325 conductivity sensor in pipes.	303209
ADA/AMPH-LF	Adapter for direct mounting of conductivity cells series TetraCon® 700 and LRD to analogue monitors of series LF 29X	303215
ADA/LAB-LF	Adapter for mounting of laboratory conductivity cells to analogue monitors of series LF 29X	303216
Analogue chlorine sensors		
FCML 412 N	pH independent chlorine sensor FCML 412 N, electrochemical measurement, appropriate for the online measurement of free chlorine in drinking water and swimming pools. Range: 0-2 mg/l; pH range 4-9	201187
TCML N	Chlorine sensor TCML N, electrochemical measurement, appropriate for the online measurement of total chlorine in drinking water and swimming pools. Range: 0-2 mg/l	201192
Accessories analogue chlorine sensors		
ZBK-TCML N	Maintenance kit for chlorine sensors TCML 412 M12-2 and TCML N(-S). Includes 100 ml electrolyte and 1 replacement membrane.	205245
ZBK-FCML 412 N	Maintenance kit for chlorine sensors FCML 412 M12 and FCML 412 N(-S). Includes 100 ml electrolyte and 1 replacement membrane.	205246
ZBK-FCML 412	Maintenance kit for chlorine sensor FCML 412. Includes 100 ml electrolyte and 1 replacement membrane.	205247
ZBK-FCML 68	Maintenance kit for chlorine sensor FCML 68. Includes 100 ml electrolyte and 1 replacement membrane.	205248
ZBK-TCML	Maintenance kit for chlorine sensor TCML(-S). Includes 100 ml electrolyte and 1 replacement membrane.	205249
pH/ORP sensors for direct connection to the control system		
pHix Compact, ASTM 316L electrode holder, ISO thread		
pHixC/pH/ISO/316/4.6	pHix® Compact, pH sensor, ISO top thread, ASTM 316L electrode holder, 4-20 mA output signal (Modbus RS485 accessible), zero=4.6, 6 m cable	203160-4.6
pHix/pH/ISO/316/4.6/C2 5	pHix® Compact, pH, ISO top thread,, 316, 4-20 mA, RS485-Modbus, zero=4.6, 25 m cable	203160-4.6-25
pHixC/pH/ISO/316/7.0	pHix® Compact, pH sensor, ISO top thread, ASTM 316L electrode holder, 4-20 mA output signal (Modbus RS485 accessible), zero=7.0, 6 m cable	203160-7.0
pHix/pH/ISO/316/7.0/C2 5	pHix® Compact, pH sensor, ISO top thread, ASTM 316L electrode holder, 4-20 mA output signal (Modbus RS485 accessible), zero=7.0, 25 m cable	203160-7.0-25

*, **, ***, ****, ***** An additional charge per meter must be added to the base price (see page 2)

Analogue measurement (pH/ORP, O2, Cond, Cl)

Model	Description	Order No.
pHixC/ORP/ISO/316	pHix® Compact, ORP sensor, ISO top thread, ASTM 316L electrode holder, 4-20 mA output signal (Modbus RS485 accessible), 6 m cable	203160-ORP
pHix Compact, ASTM 316L electrode holder, NPT thread		
pHixC/pH/NPT/316/4.6	pHix® Compact, pH sensor, NPT top thread, ASTM 316L electrode holder, 4-20 mA output signal (Modbus RS485 accessible), zero=4.6, 6 m cable	203161-4.6
pHixC/pH/NPT/316/4.6	pHix® Compact, pH, NPT top thread, 316, 4-20 mA, RS485-Modbus, zero=4.6, 25 m cable	203161-4.6-25
pHixC/pH/NPT/316/7.0	pHix® Compact, pH sensor, NPT top thread, ASTM 316L electrode holder, 4-20 mA output signal (Modbus RS485 accessible), zero=7.0, 6 m cable	203161-7.0
pHixC/ORP/NPT/316	pHix® Compact, ORP sensor, NPT top thread, ASTM 316L electrode holder, 4-20 mA output signal (Modbus RS485 accessible), 6 m cable	203161-ORP
pHix Compact, PPS electrode holder, ISO thread		
pHixC/pH/ISO/PPS/4.6	pHix® Compact, pH sensor, ISO top thread, PPS electrode holder, 4-20 mA output signal (Modbus RS485 accessible), zero=4.6, 6 m cable	203170-4.6
pHixC/pH/ISO/PPS/4.6/25	pHix® Compact, pH sensor, ISO top thread, PPS electrode holder, 4-20 mA output signal (Modbus RS485 accessible), zero=4.6, 25 m cable	203170-4.6-25
pHixC/pH/ISO/PPS/7.0	pHix® Compact, pH sensor, ISO top thread, PPS electrode holder, 4-20 mA output signal (Modbus RS485 accessible), zero=7.0, 6 m cable	203170-7.0
pHixC/pH/ISO/PPS/7.0/25	pHix® Compact, pH sensor, ISO top thread, PPS electrode holder, 4-20 mA output signal (Modbus RS485 accessible), zero=7.0, 25 m cable	203170-7.0-25
pHixC/ORP/ISO/PPS	pHix® Compact, ORP sensor, ISO top thread, PPS electrode holder, 4-20 mA output signal (Modbus RS485 accessible), 6 m cable	203170-ORP
pHix Compact, PPS electrode holder, NPT thread		
pHixC/pH/NPT/PPS/4.6	pHix® Compact, pH sensor, NPT top thread, PPS electrode holder, 4-20 mA output signal (Modbus RS485 accessible), zero=4.6, 6 m cable	203171-4.6
pHixC/pH/NPT/PPS/7.0	pHix® Compact, pH sensor, NPT top thread, PPS electrode holder, 4-20 mA output signal (Modbus RS485 accessible), zero=7.0, 6 m cable	203171-7.0
pHixC/ORP/NPT/PPS	pHix® Compact, ORP sensor, NPT top thread, PPS electrode holder, 4-20 mA output signal (Modbus RS485 accessible), 6 m cable	203171-ORP
pHix Compact electrodes and accessories		
pHix/Elec/Z4.6	pHix pH electrode, zero=4.6, measurement range 2-12 pH, temp. 0...80°C	160310
pHix/Elec/Z7.0	pHix pH electrode, zero=7.0, measurement range 2-12 pH, temp. 0...80°C	160311
pHix/Elec/ORP	pHix Redox/ORP electrode, Pt/KCL, -1000mV - +1000mV, temp. -20...+80°C	160312
pHixC/Union/ISO2	pHix® Compact, union nut, ISO thread 2"	521409

*, **, ***, ****, ***** An additional charge per meter must be added to the base price (see page 2)

Process electrodes for industrial application

Model	Description	Order No.
Analog Process electrodes (without Temp)		
SL 80-120pH	SteamLine combination electrode with screw plug head (ATEX II 1/2G), low-maintenance pH combination electrode, hot steam sterilizable, CIP and SIP able, glass shaft, SILAMID® reference, ceramic junction, pressurized RheoLid ref. system, sphere membrane, S glass, screw plug head, length 120 mm, 12 mm Ø, 0...14 pH, 0...140 °	285113213
SL 80-225pH	SteamLine combination electrode with screw plug head (ATEX II 1/2G), low-maintenance pH combination electrode, hot steam sterilizable, CIP and SIP able, glass shaft, SILAMID® reference, ceramic junction, pressurized RheoLid ref. system, sphere membrane, S glass, screw plug head, length 225 mm, 12 mm Ø, 0...14 pH, 0...140 °	285113246
PL A-90-120 pH	pH comb. electrode with screw plug head (ATEX II 1/2G), low-maint. pH comb. electrode, glass shaft, SILAMID® ref. with silver ion trap, PTFE junction, RheoLid electrolyte with KCl storage rings, sphere membrane, A glass, screw plug head, length 120 mm, 12 mm Ø, 0...14 pH, -5...+110 °C	285114480
PL A 90-225 pH	Low-maint. pH comb. electrode, glass shaft, SILAMID® ref. with silver ion trap, PTFE junction, RheoLid electrolyte with KCl storage rings, sphere membrane, A glass, screw plug head, length 225 mm, 12 mm Ø, 0...14 pH, -5...+110 °C (ATEX II 1/2G)	285114485
Analog Process electrodes (with Temp)		
SL 81-120pHT VP	SteamLine combination electrode with screw plug head (ATEX II 1/2G), low-maint. pH comb. electrode with Pt 1000, hot steam sterilizable, CIP and SIP able, glass shaft, SILAMID® ref., ceramic junction, press. RheoLid ref. system, sphere membrane, S glass, VP screw plug head, length 120 mm, 12 mm Ø, 0...14 pH, 0...140 °C	285113308
SL 81-225pHT VP	SteamLine combination electrode with screw plug head (ATEX II 1/2G), low-maint. pH comb. electrode with Pt 1000, hot steam sterilizable, CIP and SIP able, glass shaft, SILAMID® ref., ceramic junction, press. RheoLid ref. system, sphere membrane, S glass, VP screw plug head, length 225 mm, 12 mm Ø, 0...14 pH, 0...140 °C	285113316
PL 81-120pHT VP	ProcessLine comb. electrode with screw plug head (ATEX II 1/2G), low-maintenance pH combination electrode with Pt 1000, glass shaft, SILAMID® reference, 2 hole junction, DuraLid reference system, sphere membrane, H glass, VP screw plug head, length 120 mm, 12 mm Ø, 0...14 pH, 0...130 °C	285113550
PL 81-225pHT VP	ProcessLine comb. electrode with screw plug head (ATEX II 1/2G), low-maintenance pH combination electrode with Pt 1000, glass shaft, SILAMID® reference, 2 hole junction, DuraLid reference system, sphere membrane, H glass, VP screw plug head, length 225 mm, 12 mm Ø, 0...14 pH, 0...130 °C	285113560
PL A-91-120 pHT VP	pH comb. electrode with screw plug head (ATEX II 1/2G), low-maint. pH comb. Electrode with Pt 1000, glass shaft, SILAMID® ref. with silver ion trap, PTFE junction, RheoLid electrolyte with KCl storage rings, sphere membrane, A glass, VP screw plug head, length 120 mm, 12 mm Ø, 0...14 pH, -5...+110 °C	285114530
PL A-91-225 pHT VP	pH comb. electrode with screw plug head (ATEX II 1/2G), low-maint. pH comb. Electrode with Pt 1000, glass shaft, SILAMID® ref. with silver ion trap, PTFE junction, RheoLid electrolyte with KCl storage rings, sphere membrane, A glass, VP screw plug head, length 225 mm, 12 mm Ø, 0...14 pH, -5...+110 °C	285114535
Accessories for pipe mounting		
CHEMtrac 830 M	Manual retractable housing, stainless steel (1.4404), for installation/changing/ maintenance of pH electrodes without process interruption (specific valve); adaption DN25.	109237

*, **, ***, ****, ***** An additional charge per meter must be added to the base price (see page 2)

ATEX - pH and Cond in hazardous areas

Model	Description	Order No.
EX Transmitter		
Stratos Pro A 201 X pH 0	pH transmitter for hazardous areas (II 2(1)G Ex ib[ia] IIC T4) with 1 analog current output.	109444EX
Stratos Pro A 201 X pH 1	pH transmitter for hazardous areas (II 2(1)G Ex ib[ia] IIC T4) with 2 analog current outputs.	109445EX
Stratos Pro A 201 X Cond-0	Conductivity transmitter for hazardous areas (II 2(1)G Ex ib[ia] IIC T4) with 1 analog current output.	300944EX
Stratos Pro A 201 X Cond-1	Conductivity transmitter for hazardous areas (II 2(1)G Ex ib[ia] IIC T4) with 2 analog current outputs.	300945EX
Isolated amplifiers		
WG 21 A7	Isolated amplifier to power the EX-transmitter StratosPro in an intrinsically safe way, power supply 90 ... 253V, explosion protection II (1) G [Ex ia Ga] IIC.	109446EX
WG 21 A7 Opt. 336	Isolated amplifier to power the EX-transmitter StratosPro in an intrinsically safe way, power supply 24VAC/DC, explosion protection II (1) G [Ex ia Ga] IIC.	109447EX
WG 21 A7 Opt. 470	Isolated amplifier to power the EX-transmitter StratosPro in an intrinsically safe way, power supply 90 ... 253V, HART® communication, explosion protection II (1) G [Ex ia Ga] IIC.	109448EX
WG 21 A7 Opt. 336, 470	Isolated amplifier to power the EX-transmitter StratosPro in an intrinsically safe way, power supply 24VAC/DC, HART® communication, explosion protection II (1) G [Ex ia Ga] IIC.	109449EX
EX pH/ORP sensor and electrodes		
SensoLyt® SEA EX	pH electrode for hazardous areas (only with SensoLyt® 650-7 Sensor), measuring range 2 ...12 pH, for heavily polluted wastewater.	109115EX
SensoLyt® ECA EX	pH electrode for hazardous areas (only with SensoLyt® 650-7 sensor), measuring range 2 ...12 pH, for normally polluted wastewater (e.g. municipal wastewater).	109117EX
SensoLyt® PtA EX	ORP electrode for hazardous areas (only with SensoLyt® 650-7 sensor), measuring range ±2000 mV, for heavily polluted wastewater.	109125EX
SensoLyt® 650-7 EX	Analog pH/Redox sensor for hazardous areas (Ex ib IIC T6 Gb X) with high impedance signal transmission, for the use with StratosProA201XpH-0(-1). With integrated temperature sensor (NTC) and 7m cable with open cable ends. Adequate pH electrodes have to ordered separately.	109195EX
EX Conductivity Cells		
TetraCon® 700-7 EX	Analog 4 electrode conductivity cell for hazardous areas (Ex ib IIC T6 Gb X), for use with StratosProA201XCond-0(-1). With integrated temperature sensor and 7m cable with open cable ends.	302316EX
EX Accessories		
UA EX	Universal extension assembly (incl. handle and set of seals) for mounting of EX-sensors SensoLyt® 690-7 EX or TetraCon® 700-... EX. Length without sensor: 175 mm (6.89 in)	109267EX
EH/P 170 EX	SensoClean pendulum mounting assembly for installation of on-line sensors with 40 mm (1.57 in) shaft diameter and UA armatures. Supplied with adjustable boom (620 mm/24.4 in), pendulum mounting assembly (stainless steel 1.4301), movable counterweight for fine adjustment. For operation in a potentially explosive atmosphere, heed the safety requirements according to document ba75808y.	109270EX
EH/F 170-1,5 EX	SensoClean swing mounting assembly for installation of on-line sensors with 40 mm shaft diameter and UA armatures. Supplied with plastic chain (4 m/13 ft) for use in wastewater and 1.5 m/4.9 ft boom (stainless steel 1.4301). For operation in a potentially explosive atmosphere, heed the safety requirements according to document ba75808y.	109272EX
EH/F 170-2,5 EX	SensoClean swing mounting assembly for installation of on-line sensors with 40 mm shaft diameter and UA armatures. Supplied with plastic chain (5 m/16 ft) for use in wastewater and 2.5 m/8.1 ft boom (stainless steel 1.4301). For operation in a potentially explosive atmosphere, heed the safety requirements according to document ba75808y.	109273EX
EH/W 170 EX	Sensor fixture assembly for direct wall mounting of UA armatures and sensors of series 650/690/70X and 70X IQ. For operation in a potentially explosive atmosphere, heed the safety requirements according to document ba75808y.	109274EX

* , **, ***, ****, ***** An additional charge per meter must be added to the base price (see page 2)

ATEX - pH and Cond in hazardous areas

Model	Description	Order No.
BE/M 170-D EX	Pivoting wall mounting for swing or pendulum holder	109275EX
BE/R 170 EX	Pipe fixture for installation of EH-F 170 swing or EH/P 170 pendulum mounting assembly directly to a pipe (e.g. basin railing). For operation in a potentially explosive atmosphere, heed the safety requirements according to document ba75808y.	109278EX
BE/R 170-D EX	Swivel/pivot clamp fixture for mounting of a swing or pendulum mounting assembly directly to a pipe (e.g. basin railing). For operation in a potentially explosive atmosphere, heed the safety requirements according to document ba75808y.	109279EX
BE/ST 170 EX	Robust Vario floor mounting stand for installation on a concrete base etc. Supplied with universal joint fixture to accommodate a swing or pendulum mounting assembly and 2 brackets for attaching a protective roof, incl. aluminium diecast base, wallplugs and screws. For operation in a potentially explosive atmosphere, heed the safety requirements according to document ba75808y.	109280EX
BE/ST 170-R EX	Vario pipe mounting stand. Supplied with universal joint fixture to accommodate a swing or pendulum mounting assembly and 2 brackets for attaching a protective roof. For operation in a potentially explosive atmosphere, heed the safety requirements according to document ba75808y.	109281EX
BE/ST 170-M EX	Vario wall mounting stand. Supplied with universal joint fixture to accommodate a swing or pendulum mounting assembly and 2 brackets for attaching a protective roof. For operation in a potentially explosive atmosphere, heed the safety requirements according to document ba75808y.	109283EX
MS/RKH 170 EX	Pipe bracket for installation of a second sensor to a EH/P 170 pendulum mounting assembly (2 pieces required). For operation in a potentially explosive atmosphere, heed the safety requirements according to document ba75808y.	109289EX
MS/KK 170 EX	Double junction clamp for mounting of additional EH/F 170 swing or EH/P 170 pendulum mounting assembly to a Vario mounting stand BE/ST 170-X. For operation in a potentially explosive atmosphere, heed the safety requirements according to document ba75808y.	109290EX
EH/U 170 EX	Sensor holder for direct mounting of series 650/690/70X and 70X IQ sensors to a swing mounting assembly. For operation in a potentially explosive atmosphere, heed the safety requirements according to document ba75808y.	109320EX
EH2/U 170 EX	Twin sensor holder for WTW sensors of series 650, 690, 70X and 70X IQ. For operation in a potentially explosive atmosphere, heed the safety requirements according to document ba75808y.	109323EX
ZU 0274	Pipe-mount kit for Stratos series	109351EX
ZU0738	Panel-mount kit for Stratos series	109353EX
ZU 0737	Protective hood for Stratos series	109355EX
WA 700/10 EX	Retractable armature up to 10 bar	480100EX
WA 700/2 EX	Retractable armature up to 2 bar	480102EX
also suitable (self-assessment of products by operator required)		
ESS 700 VA/N	Stainless steel (1.4571) weld-in socket, for measurements in pipelines, for use with all sensors of 650/690/700(IQ)/701(IQ) series. Please order suitable sensor adapter (ADA-XX) separately.	203755
ESS 700 VA/10	Stainless steel weld-in socket, for measurements in pipelines with up to 10 bar pressure, useable for all series 650/690/700(IQ)/701(IQ) sensors. Please order suitable sensor adapter (ADA-XX) separately.	203757
ADA-DF 10	Adapter for mounting of pH/ORP armature SensoLyt® 690/700 in flow-thru vessels EBS(T)700-DU/N or ESS 700-VA/N	203779
ESS-WA 700/ST	Steel (St 33) weld-in socket for WA 700/2 und WA 700/10 retractable armatures	480104
ESS-WA 700/VA	Stainless steel (1.4571) weld-in socket for WA 700/2 und WA 700/10 retractable armatures	480106
ADA-WA 3	Adapter for mounting of pH/ORP armature SensoLyt® 650/690/700 into WA 700/2 and WA 700/10 retractable armatures	480112
S/CH	Shackle for chain fitting	505123

*, **, ***, ****, ***** An additional charge per meter must be added to the base price (see page 2)

ATEX - pH and Cond in hazardous areas

Model	Description	Order No.
CH/SO	Chain per meter.High tensile strength and UV-resistant.	505124(****)

Sample Preparation

Model	Description	Order No.
Filtration Alyza IQ PO4/NH4 (HR)		
FM/PC	Filter membrane module FM-Case/PC with premounted membrane. Suitable for Alyza IQ and P 700 IQ	821939
Filter/PC	Filter module for housing FM-Case/PC. Suitable for Alyza IQ and P 700 IQ	821940
FM-Case/PC	Housing for filter module Filter/PC. Suitable for Alyza IQ and P 700 IQ	821941
SH-5	Intake line with slide fo Alyza IQ, unheated, 5 m (16.4 ft)	822201
SH-10	Intake line with slide fo Alyza IQ, unheated, 10 m (32.8 ft)	822202
SH-15	Intake line with slide for Alyza IQ, unheated, 15 m (49.2 ft)	822203
SH-20	Intake line with slide fo Alyza IQ, unheated, 20 m (65.6 ft)	822204
SH 240-5	Intake line with slide fo Alyza IQ, heated, 240 VAC, 5 m (16.4 ft)	822221
SH 240-10	Intake line with slide fo Alyza IQ, heated, 240 VAC, 10 m (32.8 ft)	822222
SH 240-15	Intake line with slide fo Alyza IQ, heated, 240 VAC, 15 m (49.2 ft)	822223
SH 240-20	Intake line with slide fo Alyza IQ, heated, 240 VAC, 20 m (65.6 ft)	822224
RH-1	Return line, unheated, 1 m (3.3 ft)	822229
RH-2	Return line, unheated, 2 m (6.6 ft)	822230
RH-5	Return line, unheated, 5 m (16.4 ft)	822231
RH-10	Return line, unheated, 10 m (32.8 ft)	822232
RH 120-2	Return line, heated, 120 VAC, 2 m (6.6 ft)	822240
RH 120-5	Return line, heated, 120 VAC, 5 m (16.4 ft)	822241
RH 240-1	Return line, heated, 240 VAC, 1 m (3,3 ft)	822249
RH 240-2	Return line, heated, 240 VAC, 2 m (6.6 ft)	822250
RH 240-5	Return line, heated, 240 VAC, 5 m (16.4 ft)	822251
RH 240-10	Return line, heated, 240 VAC, 10 m (32.8 ft)	822252
RH 240-20	Return line, heated, 240 VAC, 20 m (65.6 ft)	822254
Accessories PurCon®/PurCon® IS		
PF105	Sample bypass unit for direct supply of WTW analyzer with sample, completely mounted; not included: pumps	000670
SET1/PurCon®	Set of pump tubing for PurCon® permeate pump.	810002
AF/PurCon®	Spare air filter for PurCon® compressor LP-60HN.	810005
AF-N/PurCon	Spare air filter for PurCon® compressor AP-60(N).	810015
SW/P102	Exchange cutting unit for P102, P102/1 and FGT 615-2 top-and bottom part.	810117
FT/PC	Filter module set (4 pieces) for PurCon® and PurCon® IS.	820065
LSet/PC	Set air tubing for PurCon®.	820066
SLSET/PC	Piping Set for PurCon®.	820067
FT/PCIS-2	Filter module set (2 pieces) for PurCon® IS.	820068
VB 105	Overflow vessel with continuous sample flow for analyzer.	830860
P105	Submersible pump without cutting blade for PurCon®, PF 105 or FPB.	850007
FGT 615-2 = P102/1	Low-power submersible pump with cutting blade for supplying wastewater from the aeration stage of wastewater treatment plants.	850010
PZN 30	Fabric tubing for pumps P101/P102/P105 (30 m)	850019
BS-P102	Mounting set for submersible pumps P 101, P102/1 and P 105 (V4A stainless steel chain (length 5 m/16.2 ft) and 2 stainless steel shackle).	850110

*, **, ***, ****, ***** An additional charge per meter must be added to the base price (see page 2)

Sampler

Model	Description	Order No.
Stationary Samplers		
PB-S		
PB-S/1	Sampler 230 V 50/60 Hz, with Stainless Steel housing for high ambient temperatures, with 1 x 25 l PE sample container. Supplied with 5 m (16.2 ft) suction tubing (without tubing end piece).	503225
PB-S/R12	Sampler 230 V 50/60 Hz, with Stainless Steel housing for high ambient temperatures, with 12 x 2.9 l PE container. Supplied with 5 m (16.2 ft) suction tubing (without tubing end piece).	503228
PB-S/R12-v	Sampler 230 V 50/60 Hz, with Stainless Steel housing for high ambient temperatures, with 12 x 2.9 l PE container. For flow-proportional sampling. Supplied with 5 m (16.2 ft) suction tubing (without tubing end piece).	503229
PB-S/R12-v	Sampler 230 V 50/60 Hz, with Stainless Steel housing for high ambient temperatures, with 12 x 2.9 l PE container. For flow-proportional sampling. Supplied with 5 m (16.2 ft) suction tubing (without tubing end piece).	503229
PB-S/R24	Sampler 230 V 50/60 Hz, with Stainless Steel housing for high ambient temperatures, with 24 x 1 l PE container. Supplied with 5 m (16.2 ft) suction tubing (without tubing end piece).	503230
PB-S/R24-v	Sampler 230 V 50/60 Hz, with Stainless Steel housing for high ambient temperatures, with 24 x 1 l PE container. For flow-proportional sampling. Supplied with 5 m (16.2 ft) suction tubing (without tubing end piece).	503231
PB-S/R24-v	Sampler 230 V 50/60 Hz, with Stainless Steel housing for high ambient temperatures, with 24 x 1 l PE container. For flow-proportional sampling. Supplied with 5 m (16.2 ft) suction tubing (without tubing end piece).	503231
PB-S Accessories		
1/PB-S	1 L PE sample bottle with sealing cap for PB-S/R24.	503303
2,9/PB-S	2.9 L PE sample bottle with sealing cap for PB-S/R12.	503307
25/PB	25 L PE collection container for the PB series.	503314
Schlauch/12mm/PB-S	PVC suction tubing, 12mm I.D., fabric reinforced, per meter	503338
SR/180mm/PB-S	Suction piece V2A, length 180mm, for tubing 10mm ID (503338)	503340
EVSR/PB	Pick off-attachment to mount the suction tube, pendular or fixed (wall mounting in channel).	503341
SK/12mm/PB-S	Strainer for suction piece SR/180mm/PB (503340), 12mm	503344
SG/PB-S	Stainless steel base frame, 40 cm x 70 cm x 41 cm, HxWxD for PB-S	503385
LED-in/PB-S	LED interior lighting with door contact switch	503387
SSM/PB	Collective fault message (always defined as the first message)	503427
PB-W		
PB-W/230V	Compact sampler 230 V (50/60 Hz) for wall mounting	503200
PB-W Accessories		
13/PB	13 L PE collection container for PB-W and PB-M-S/1.	503311
25/PB	25 L PE collection container for the PB series.	503314
Schlauch/10mm/PB/1	PVC suction tubing, 10mm I.D., fabric reinforced, per meter	503337
SR/180mm/PB	Suction piece V2A, length 180 mm, for tubing 10 mm ID (503337).	503339
SK/10mm/PB	Strainer for suction piece SR/180 mm/PB (503339), 10 mm.	503343
Sampler 780		
S780/Sampler780/230ac	Automatic sampler 780, 230 VAC / 12 VDC , cycle time 1-10 min (adjustable), sample volume 2-500 ml	203520
Sampler 780 Accessories		
S780/Valve_S	780 valve unit	203510
S780/compressor_S	780 compressor	203511
S780/controller_S	Control circuit 7800 for 780-1x00, including front plate	203512
S780/supply/230ac_S	Power supply for 780-1x00, 230 VAC	203513
S780/PipeValve_S	780 tube pinch valve	203514
S780/Timer	Integrator/timer for 780, 783-1320, input 4-20 mA	203551
S780/ Repair kit	Repair kit for sampler consisting of sample pipe and seals	595109

* , ** , *** , **** , ***** An additional charge per meter must be added to the base price (see page 2)

Sampler

Model	Description	Order No.
S780/SampleGlass	Sample glas for sampler 780	595110
S780/inletPipe/10m	Inlet pipe PVC 10x14 mm, 10 m	595120-10
S780/outletPipe 10m	Outlet pipe silicone 10x13 mm, 10 m	595121-10
S780/outletPipe 25m	Outlet pipe silicone 10x13 mm, 25 m	595121-25
S780/outletPipe 100m	Outlet pipe silicone 10x13 mm, 100 m	595121-100
Mobile Samplers		
PB-M		
PB-M-S/1	Compact portable sampler with integrated rechargeable battery and 1 x 13 L PE sample container. Supplied with 5 m (16.2 ft) suction tubing, fitting and tubing end piece. Battery charger is not included.	503250
PB-M-L/R24	Portable sampler with integrated rechargeable battery and 24 x 1 l PE container. Supplied with 5 m (16.2 ft) suction tubing, fitting and tubing end piece. Battery charger is not included.	503280
PB-M Accessories		
1/PB-M-L	1 L PE sample bottle (segment) for PB-M-L/R24.	503304
13/PB	13 L PE collection container for PB-W and PB-M-S/1.	503311
Schlauch/10mm/PB/1	PVC suction tubing, 10mm I.D., fabric reinforced, per meter	503337
SR/180mm/PB	Suction piece V2A, length 180 mm, for tubing 10 mm ID (503337).	503339
SK/10mm/PB	Strainer for suction piece SR/180 mm/PB (503339), 10 mm.	503343
TP/PB-M	Desiccant cartridge for PB-M	503361
LG/65/PB-M	Battery charger IP 65 for PB-M.	503371
EA/7,5/PB-M	Rechargeable battery, 7.5 Ah for PB-M.	503372
MK/10m/PB	Flow signal cable with 10 m (open cable ends) for PB-M and PB-S.	503420

*, **, ***, ****, ***** An additional charge per meter must be added to the base price (see page 2)

Accessories

Model	Description	Order No.
Junction Boxes, Connection Cables		
ADA/AMPH-LAB-LF	Adapter for mounting of laboratory conductivity cells to analogue monitors of series LF 170.	303212
Sensor Extensions, Sensor Holders		
UA 55	Universal extension assembly (incl. handle and set of seals) for mounting of sensors of series 650/690/70X and 70X IQ, length without sensor: 317 mm (12.48 in)	109260
UA 130	Universal extension assembly (incl. handle and set of seals) for mounting of sensors of series 650/690/70X and 70X IQ, length without sensor: 1067 mm (42.01 in)	109261
UA-SO Armatur	Universal extension assembly (incl. handle and set of seals) for mounting of sensors of series 650/690/70X and 70X IQ, length without sensor: selectable between 240...2600 mm (9.45...102.36 in)	109263V(**)
UA/DS	Spare set of O-ring seals for UA sensor extensions of all lengths	109265
EH/SW	Single electrode holder in seawater design for direct mounting of series 650/690/70X and 70X IQ (SW) sensors	109317
EH/U 170 EX	Sensor holder for direct mounting of series 650/690/70X and 70X IQ sensors to a swing mounting assembly. For operation in a potentially explosive atmosphere, heed the safety requirements according to document ba75808y.	109320EX
EH2/U 170 EX	Twin sensor holder for WTW sensors of series 650, 690, 70X and 70X IQ. For operation in a potentially explosive atmosphere, heed the safety requirements according to document ba75808y.	109323EX
EH3/U 170	Triple sensor holder for WTW sensors of series 650, 690, 70X and 70X IQ	109325
Mounting Hardware		
Mounting sets		
IN/SET1	Installation set for mounting of one on-line sensor. Supplied with: Single sensor holder EH/U 170; SensorClean swing mounting EH/F 170-1,5; Vario floor mounting stand BE/ST 170; Sun shield SSH/IQ	109304
IN/SET2	Installation set for mounting of up to two on-line sensors. Supplied with: Twin sensor holder EH2/U 170; SensorClean swing mounting EH/F 170-1,5; Vario floor mounting stand BE/ST 170; Sun shield SSH/IQ	109305
IN/SET3	Installation set for mounting of up to three on-line sensors. Supplied with: Tripple sensor holder EH3/U 170; SensorClean swing mounting EH/F 170-1,5; Vario floor mounting stand BE/ST 170; Sun shield SSH/IQ	109306
Stands		
BE/ST 170 EX	Robust Vario floor mounting stand for installation on a concrete base etc. Supplied with universal joint fixture to accommodate a swing or pendulum mounting assembly and 2 brackets for attaching a protective roof, incl. aluminium diecast base, wallplugs and screws. For operation in a potentially explosive atmosphere, heed the safety requirements according to document ba75808y.	109280EX
BE/ST 170-R EX	Vario pipe mounting stand. Supplied with universal joint fixture to accommodate a swing or pendulum mounting assembly and 2 brackets for attaching a protective roof. For operation in a potentially explosive atmosphere, heed the safety requirements according to document ba75808y.	109281EX
BE/ST 170-M EX	Vario wall mounting stand. Supplied with universal joint fixture to accommodate a swing or pendulum mounting assembly and 2 brackets for attaching a protective roof. For operation in a potentially explosive atmosphere, heed the safety requirements according to document ba75808y.	109283EX
Fixtures		
BE/M 170	Masonry fixture installation of EH-F 170 swing or EH/P 170 pendulum mounting assembly directly on the basin edge or on top of a wall	109276
BE/R 170 EX	Pipe fixture for installation of EH-F 170 swing or EH/P 170 pendulum mounting assembly directly to a pipe (e.g. basin railing). For operation in a potentially explosive atmosphere, heed the safety requirements according to document ba75808y.	109278EX

*, **, ***, ****, ***** An additional charge per meter must be added to the base price (see page 2)

Accessories

Model	Description	Order No.
BE/R 170-D EX	Swivel/pivot clamp fixture for mounting of a swing or pendulum mounting assembly directly to a pipe (e.g. basin railing). For operation in a potentially explosive atmosphere, heed the safety requirements according to document ba75808y.	109279EX
MS/RKH 170 EX	Pipe bracket for installation of a second sensor to a EH/P 170 pendulum mounting assembly (2 pieces required). For operation in a potentially explosive atmosphere, heed the safety requirements according to document ba75808y.	109289EX
MS/KK 170 EX	Double junction clamp for mounting of additional EH/F 170 swing or EH/P 170 pendulum mounting assembly to a Vario mounting stand BE/ST 170-X. For operation in a potentially explosive atmosphere, heed the safety requirements according to document ba75808y.	109290EX
Swing-, pendulum- and bracket holders		
EH/P 170 EX	SensoClean pendulum mounting assembly for installation of on-line sensors with 40 mm (1.57 in) shaft diameter and UA armatures. Supplied with adjustable boom (620 mm/24.4 in), pendulum mounting assembly (stainless steel 1.4301), movable counterweight for fine adjustment. For operation in a potentially explosive atmosphere, heed the safety requirements according to document ba75808y.	109270EX
EH/R 170	Sensor holder for mounting of on-line sensors with 40 mm (1.57 in) shaft diameter, in a fixed distance to a rail. Supplied with pendulum head (POM) and 1580 mm (62.2 in) long outrigger pipe (stainless steel 1.4301). Without clamp set fixture (Please order BE/R 170 separately)	109271
EH/F 170-1,5 EX	SensoClean swing mounting assembly for installation of on-line sensors with 40 mm shaft diameter and UA armatures. Supplied with plastic chain (4 m/13 ft) for use in wastewater and 1.5 m/4.9 ft boom (stainless steel 1.4301). For operation in a potentially explosive atmosphere, heed the safety requirements according to document ba75808y.	109272EX
EH/F 170-2,5 EX	SensoClean swing mounting assembly for installation of on-line sensors with 40 mm shaft diameter and UA armatures. Supplied with plastic chain (5 m/16 ft) for use in wastewater and 2.5 m/8.1 ft boom (stainless steel 1.4301). For operation in a potentially explosive atmosphere, heed the safety requirements according to document ba75808y.	109273EX
EH/W 170 EX	Sensor fixture assembly for direct wall mounting of UA armatures and sensors of series 650/690/70X and 70X IQ. For operation in a potentially explosive atmosphere, heed the safety requirements according to document ba75808y.	109274EX
Chain/Shakle		
S/CH	Shackle for chain fitting	505123
CH/SO	Chain per meter. High tensile strength and UV-resistant.	505124(****)
Controller/Module mounting		
SD/K 170	Sun shield for outdoor installation of junction boxes (e.g. junction box KI/pH 170) or an IQ SENSOR NET module	109284
MR/SD 170	Mounting kit for attaching sun shields to pipes	109286
MS/SD 170	Mounting kit for SSH/IQ sun shield to a mounting stand	109288
SSH/IQ	Sun shield for mounting of IQ SENSOR NET modules and series 171/170 monitors to mounting stands	109295
PMS/IQ	Kit for panel mounting of IQ SENSOR NET modules	480048
PMS/IQ-X	PMS/IQ-X - for panel mounting of IQ SENSOR NET System 282/284. Recommended for versions with -PR, -MOD or -E(F).	480049
THS/IQ	Kit for top hat rail mounting of IQ SENSOR NET modules	480050
WMS/IQ	Kit for wall mounting of IQ SENSOR NET modules	480052
Floaters		
S 200	Float with pendulum mounting assembly for on-line sensors with 40 mm (1.57 in) shaft diameter with UA 55 extension assembly or for spectral sensors with supplement kit VIS Set/EH for horizontal mounting.	108540
S 200/2	Float with pendulum mounting assembly for 2 on-line sensors with 40 mm (1.57 in) shaft diameter with UA 55 extension assembly.	108542
GWA	Weight ring for S 200 float	109232
Mounting Accessories 60 mm sensors (Spectral ; Sludge Level)		

*, **, ***, ****, ***** An additional charge per meter must be added to the base price (see page 2)

Accessories

Model	Description	Order No.
S 200	Float with pendulum mounting assembly for on-line sensors with 40 mm (1.57 in) shaft diameter with UA 55 extension assembly or for spectral sensors with supplement kit VIS Set/EH for horizontal mounting.	108540
EH/F 170-1,5 EX	SensoClean swing mounting assembly for installation of on-line sensors with 40 mm shaft diameter and UA armatures. Supplied with plastic chain (4 m/13 ft) for use in wastewater and 1.5 m/4.9 ft boom (stainless steel 1.4301). For operation in a potentially explosive atmosphere, heed the safety requirements according to document ba75808y.	109272EX
EH/SW	Single electrode holder in seawater design for direct mounting of series 650/690/70X and 70X IQ (SW) sensors	109317
EH/U 170 EX	Sensor holder for direct mounting of series 650/690/70X and 70X IQ sensors to a swing mounting assembly. For operation in a potentially explosive atmosphere, heed the safety requirements according to document ba75808y.	109320EX
EH/W 171	Pivot wall mount with 42 cm side arm for IQ sensors to pipes with 30 mm (1.18 in) diameter (EH/WT-D30, EH/WB please order separately)	109360
EH/W 172	Fixed wall mount for IQ sensors to pipes with 30 mm (1.18 in) diameter (EH/WT-D30, EH/WB please order separately)	109361
EH/WB	Sensor holder for sensor with 60 mm (2.36 in) diameter for attachment to pipes with 30 mm (1.18 in) diameter	109362
EH/WT-D30	Pipe D30 x 2600 mm. Adaptable to EH/W 171, EH/W 172, IFL-RM, IFL-D	109363
EH/W 173	Fixed wall mount with side arm for IQ sensors to pipes with 30 mm (1.18 in) diameter in combination with deflector armature IFL-E or sensor holder EH/WB (EH/WT-D30, IFL-E or EH/WB please order separately)	109365
EH/W RM	Rail connection for wall mount EH/W 170 to EH/W 173	109366
VIS FT-1	Flow-through measuring cell for spectral UV and UV-VIS sensors, for operation with automatic compressed air cleaning	480080
VIS FT-1/RS	Spare part set for flow-thru measuring cell VIS FT-1	480081
VIS Set/EH	Supplement kit for spectral sensors for horizontal mounting of a UV/VIS sensor, with the EH/F 170 swing mounting assembly for use in basins or open channels.	481073
VIS Set-F	Supplement kit for horizontal mounting of a UV-VIS/UV sensor. For use in variable water levels with the S 200 float.	481080
IFL-E	Deflector armature for IFL 700 IQ and IFL 701 IQ for application with surface skimmers	481206
IFL-RM	Rail mount for interface level sensors IFL 700 IQ and IFL 701 IQ in combination with deflector armature IFL-E. (EH/WT-D30, IFL-E please order separately)	481207
Flow-through Armatures		
EBS 700-DU/N	Mounting set for measurements in pipelines, for all sensors of the 650/690/700(IQ)/701(IQ) series. Consisting of a bonded sleeve for standard 45° PVC T-piece (d 63 DN 50), O-ring seals and union nut. Please order suitable sensor adapter (ADA-XX) separately	203751
EBST 700-DU/N	Flow-through adapter for measurements in pipelines, for all sensors of the 650/ 690/700(IQ)/701(IQ) series. Consisting of a 45° PVC T-piece (d 63 DN 50) with bonded sleeve. O-ring seals and union nut. Please order suitable sensor fadapter (ADA-XX) separately.	203753
EBST 700-DU/ND	Flow-thru adapter for measurements in pipelines with air pressure cleaning connection for use with sensors 70X, 70X IQ (pre-pressure max. 0.5 m water column) consisting of a PVC 45° T piece (d 63 DN 50) with bonded sleeve, O-ring seals and union nut, 2 x 180° shifted pressure cleaning injector with centric air-pressure connector 4/6 mm (max 6 bar). Please order suitable sensor adapter (ADA-XX) separately.	203754
ESS 700 VA/N	Stainless steel (1.4571) weld-in socket, for measurements in pipelines, for use with all sensors of 650/690/700(IQ)/701(IQ) series. Please order suitable sensor adapter (ADA-XX) separately.	203755
ESS 700 VA/10	Stainless steel weld-in socket, for measurements in pipelines with up to 10 bar pressure, useable for all series 650/690/700(IQ)/701(IQ) sensors. Please order suitable sensor adapter (ADA-XX) separately.	203757

*, **, ***, ****, ***** An additional charge per meter must be added to the base price (see page 2)

Accessories

Model	Description	Order No.
EBST/SW	Flow-thru adapter for measurements in pipelines, for all IQ sensors of the SW series. Consisting of a 45° PVC T-piece (d 110 DN 90) with bonded sleeve, o-ring seals and union nut. Please order suitable sensor adapter ADA-DF9/SW (203790) separately.	203758
ADA-DF 1	Adapter for mounting IQ sensors for measuring of pH/ORP, conductivity and D.O. in D 700/N or DMS/N flow-through vessels	203761
ADA-DF9/SW	Adapter for mounting IQ sensors of the SW series in the flow-through adapter EBST/SW.	203790
Flow-through Vessels		
D 300/pH	Flow-thru vessel for pH/ORP and temperature measuring	108073
D 700/N	Flow-thru vessel for multiparameter measurements, for use with: TriOxmatic® 690/700(IQ)/701(IQ), SensoLyt® SE/DW/EC/Pt, TetraCon® 325 and TFK 325. Please order suitable sensor flange separately	203745
D 702/N	Flow-thru cell for continuous oxygen measurement, primarily for measurements in the ppb range with TriOxmatic® 702 (IQ). Also useable for TriOxmatic® 690/700/700 IN/701 (IQ). Please order suitable sensor flange separately	203747
DMS/N	Universal flow-thru vessel for multiparameter measurements with up to four sensors, e.g. for use in the discharge of a waste water treatment plant. Please order suitable sensor flange separately. Closures or connections must be made on site.	203749
Flow-through Adapters		
ADA-DF 4	Adapter for mounting D.O. sensors TriOxmatic® 702 and TriOxmatic® 702 IQ in D 702/N flow-thru vessel	203767
ADA-DF 6	Adapter for mounting D.O. sensor TriOxmatic® 702 IQ in flow-thru vessel D 702/N	203771
ADA-DF 7	Adapter for mounting turbidity sensor VisoTurb® 700 IQ in DMS/N flow-through vessel	203773
ADA-DF 9	Adapter for mounting IQ sensors for pH/ORP, D.O., conductivity, turbidity and suspended solids in flow-through vessels EBS(T)700-DU/N or ESS 700-VA/N	203777
ADA-DF 10	Adapter for mounting of pH/ORP armature SensoLyt® 690/700 in flow-thru vessels EBS(T)700-DU/N or ESS 700-VA/N	203779
ADA-DF 11	Adapter for mounting IQ sensors for pH/ORP, D.O., conductivity, turbidity and suspended solids in ESS 700 VA/10 weld-in socket	203781
ADA-DF 14	Adapter for mounting IQ sensor FDO®700 IQ in flow-thru vessel D 700/N	203787
ADA-DF 15	Adapter for mounting IQ sensor FDO®700 IQ in flow-thru vessels EBS 700-DU/N, EBST 700-DU/N and ESS 700 VA/N	203789
Retractable Armatures		
WA 700/10	Retractable armature for measurements in pipelines, with up to 10 bar overpressure, for use with all series 650/ 690/700(IQ)/701(IQ) sensors. Consisting of a pre-assembled armature with ball valve, mounting aid up to 10 bar, rinsing connectors and a sensor sleeve with sealings and retainer rings. Please order suitable sensor adapter separately.	480100
WA 700/2	Retractable armature for measurements in pipelines, with up to 2 bar overpressure, for use with all series 650/ 690/700(IQ)/701(IQ) sensors. Consisting of a pre-assembled armature with ball valve, mounting aid up to 2 bar, rinsing connectors and a sensor sleeve with sealings and retainer rings. Please order suitable sensor adapter separately.	480102
ESS-WA 700/ST	Steel (St 33) weld-in socket for WA 700/2 und WA 700/10 retractable armatures	480104
ESS-WA 700/VA	Stainless steel (1.4571) weld-in socket for WA 700/2 und WA 700/10 retractable armatures	480106
ADA-WA 1	Adapter for mounting of IQ sensors for pH/ORP, conductivity, D.O., turbidity and TSS into WA 700/2 and WA 700/10 retractable armatures	480108
ADA-WA 3	Adapter for mounting of pH/ORP armature SensoLyt® 650/690/700 into WA 700/2 and WA 700/10 retractable armatures	480112
ADA-WA 4	Adapter for mounting of IQ sensor FDO®700 IQ into WA 700/2 and WA 700/10 retractable armatures	480114
WA/BV	Blind plug for weld-in socket fittings ESS-WA 700/ST and ESS-WA 700/VA	480116

* , ** , *** , **** , ***** An additional charge per meter must be added to the base price (see page 2)

Accessories

Model	Description	Order No.
WA/Epack	Spare set of O-ring seals for retractable armatures WA 700/2 and WA 700/10	480118
Cleaning System		
DIQ/CHV	Dual IQ/Cleaning Head Valve for automatic air cleaning controlled by a relay, 472007 for system 28X, (relay and compressed air supply external)	
Cleaning Air Box - 115 VAC	Air pressure compressor for online sensors. For easy wall mounting, switchable by a relay to provide cleaning systems with air pressure. 115 VAC. No additional CHV PLUS needed.	480017
MIQ/CHV PLUS	Module IQ/Cleaning Head Valve, for automatic air cleaning controlled by a relay or the IQ SENSOR NET (relay and compressed air supply external)	480018
Cleaning Air Box - 230 VAC	Air pressure compressor for online sensors. For easy wall mounting, switchable by a relay to provide cleaning systems with air pressure. 230 VAC. No additional CHV PLUS needed.	480019
AF/Cleaning Air Box	Air intake filter for Cleaning Air Box. For the removal of particles to maintain the compressor.	480026
RM/Cleaning Air Box	Replacement membrane for compressor in Cleaning Air Box. The membrane should be replaced after 5000 h of operation time or after 5 years.	480027
CH	Cleaning head for on-line sensors with 40 mm diameter. Supplied with 15 m (49 ft) compressed air tube.	900107
CH/Epack	Spare part set for cleaning head	900111
Accessories Alyza IQ PO4/NH4 (HR)		
FM-B	Cleaning brush for filter membrane module	821968
FM-Adapter	Adapter for horizontal mounting of filter membrane module FM	821983
M-EXT 1.5	Extension for attachment M 1.5. Included: Extension 1.5 m, chain, bracket	821985
M 1.5	Attachment for filtration. Included: Rail 1.5 m (4.9 ft), chain, bracket	821986
RM	Rail mount for Alyza IQ and P 700 IQ	821988
WM	Wall mount for Alyza IQ and P 700 IQ	821989
SM	Stand mount for Alyza IQ and P 700 IQ	821991
TM	Accessory for mounting of IQ Sensor Net components on Alyza IQ. Sun shield needs to be ordered separately.	822000
Overflow Vessel	Overflow vessel incl. overflow tubing	827180
Filtration Pump	Filtration pump for Alyza IQ incl. connecting tube	827185
Check valve	Check valve Alyza IQ, for retrofitting at a head > 5 m	827186
WF Set	Waste funnel set for the separate collection of reagent containing waste	827187
PurCon ACS	Adapter for sample transportation from PurCon® to Alyza IQ	827188
Conversion kit PO4 MB1	Conversion kit Alyza IQ PO4 MB2 to MB1	827190
Conversion kit PO4 MB2	Conversion kit Alyza IQ PO4 MB1 to MB2	827191

*, **, ***, ****, ***** An additional charge per meter must be added to the base price (see page 2)

Additional Products

Model	Description	Order No.
Accessories and Replacement parts TresCon® Ammonia		
ZBK/NH500/TC	Accessory kit for on-line ammoni sensor NH 500/TC for TresCon® and TresCon® Uno included: 3 membrane caps and 50 ml electrolyte	180102
BEH/ T 1,5	1.5 l wide-necked bottle (with screw cap and labels).	821017
BEH/ T 10	10 l container (with screw cap and labels).	821019
R/ A111	Pack of 390 g Na ₂ -EDTA powder (for 10 l) and 400 g NaOH concentrate (pellets), for ammonium, nitrate, nitrite and orthophosphate TresCon®module.	821075
S/ AI - A111	Standard solution A-I (1 mg/l NH ₄ -N), 1.5 l.	821100
S/ AII - A111	Standard solution A-II (5 mg/l NH ₄ -N), 1.5 l.	821101
S/ BI - A111	Standard solution B-I (10 mg/l NH ₄ -N), 1.5 l.	821102
S/ BII - A111	Standard solution B-II (50 mg/l NH ₄ -N), 1.5 l.	821103
RSet/A111-1	Reagent set for ammonium analyzer module OA 110 resp. TresCon® A111 and TresCon® Uno TCU/A111, 120 days operation: standards (1 mg/l, 10 mg/l)/ reagents/cleaning agents.	821138
RSet/ A111-2	Reagent set for ammonium analyzer module OA 110 resp. TresCon® A111 and TresCon® Uno TCU/A111, 120 days operation: standards (5 mg/l, 50 mg/l)/ reagents/cleaning agents.	821140
C/TCM1	1.5 l cleaning solution for nitrate/SAC, nitrite, orthophosphate, total phosphorus for analyzer module TresCon® ON 210 and OS 210, TresCon® ON 510, TresCon® OP 210, TresCon® OP 510, and analyzers TresCon® N211/S211/N511/P211/P511 and TCU/N211/S211/N511/P211. Suitable as reagent solution for ammonium for analyzer module TresCon® OA110 and analyzers TresCon® A111 and TCU/A111	821156
C/ A111	1.5 l cleaning solution for ammonium analyzer module OA 110, TresCon® A111 and TresCon® Uno /A111; 10% citric acid.	821160
Wpack/ A111	Set of maintenance kit (fittings and spare tubes) for TresCon® ammonium analyzer module OA 110, TresCon® A111 and TresCon® Uno/A111.	821197
NH500/TC	Ammonium electrode, incl. 3 exchange membrane heads and 50 ml electrolyte solution for module OA 110.	821210
MC/NH500/TC	Exchange membrane heads for ammonium electrode, included: 3 exchange membrane caps.	821212
ELY/NH	Electrolyte solution for Ammonium electrode, 50 ml.	821220
Accessories and Replacement parts TresCon® Nitrate/SAC		
BEH/ T 1,5	1.5 l wide-necked bottle (with screw cap and labels).	821017
BEH/ T 10	10 l container (with screw cap and labels).	821019
R/ A111	Pack of 390 g Na ₂ -EDTA powder (for 10 l) and 400 g NaOH concentrate (pellets), for ammonium, nitrate, nitrite and orthophosphate TresCon®module.	821075
S/ AI - N 211	Standard solution A-I (zero standard NO ₃ -N), 10 l.	821112
SSet/ N211	Set of standard solution (NO ₃ -N) 4x 1.5 l for nitrate analyzer modules TresCon® ON 210 and OS 210, TresCon® N211/S211, TCU/N211 and S211.	821113
TS/N211/2	1.5 liter Nitrate Teststandardsolution (20 mg/L NO ₃ -N)	821115
RSet/ N211	Reagent set for nitrate (SAC), for 120 days operation: standard/cleaning agent for TresCon® modules ON/OS 210, TresCon® N/S211, TCU/N211/S211.	821143
C/TCM1	1.5 l cleaning solution for nitrate/SAC, nitrite, orthophosphate, total phosphorus for analyzer module TresCon® ON 210 and OS 210, TresCon® ON 510, TresCon® OP 210, TresCon® OP 510, and analyzers TresCon® N211/S211/N511/P211/P511 and TCU/N211/S211/N511/P211. Suitable as reagent solution for ammonium for analyzer module TresCon® OA110 and analyzers TresCon® A111 and TCU/A111	821156
C/ N211	1.5 l cleaning solution for analyzer module nitrate TresCon® ON 210 and OS 210, TresCon® N211 /S 211 and TCU/ N211 /S 211, 0.4 % salt acid.	821163
C/N211/FE	1.5 l cleaning solution nitrite for ferrous waste water for analyzer module TresCon® ON 210 and OS 210, TresCon® N211/S211 and TCU/N211 u. S211.	821165

*, **, ***, ****, ***** An additional charge per meter must be added to the base price (see page 2)

Additional Products

Model	Description	Order No.
Wpack/ N211	Set of maintenance kit (fittings/spare tubes) for TresCon® nitrate and nitrate/SAC analyzer module ON/OS 210, TresCon® N/S 211/TCU Uno/S 211.	821199
Accessories and Replacement parts TresCon® Nitrite		
BEH/ T 1,5	1.5 l wide-necked bottle (with screw cap and labels).	821017
BEH/ T 10	10 l container (with screw cap and labels).	821019
R/ A111	Pack of 390 g Na2-EDTA powder (for 10 l) and 400 g NaOH concentrate (pellets), for ammonium, nitrate, nitrite and orthophosphate TresCon® module.	821075
R/ N511	1 l reagent solution for nitrite analyzer module TresCon® ON 510 (resp. TresCon® N511 and TresCon® Uno TCU/N511), 13% phosphoric acid.	821085
S/ B - N511	1.0 l standard solution B (0.4 mg/l NO2-N) for TresCon® module ON 510 (resp. TresCon® N 511 and TresCon® Uno TCU/N511).	821117
C/TCM1	1.5 l cleaning solution for nitrate/SAC, nitrite, orthophosphate, total phosphorus for analyzer module TresCon® ON 210 and OS 210, TresCon® ON 510, TresCon® OP 210, TresCon® OP 510, and analyzers TresCon® N211/S211/N511/P211/P511 and TCU/N211/S211/N511/P211. Suitable as reagent solution for ammonium for analyzer module TresCon® OA110 and analyzers TresCon® A111 and TCU/A111	821156
EL/ TC	Spare lamp for photometer block.	821175
Wpack/ N511	Set of maintenance kit (fittings and spare tubes) for TresCon® nitrite analyzer module, TresCon® N511 and TCU/N511.	821203
Accessories and Replacement parts TresCon® Orthophosphate		
BEH/ T 1,5	1.5 l wide-necked bottle (with screw cap and labels).	821017
BEH/ T 10	10 l container (with screw cap and labels).	821019
R/ A111	Pack of 390 g Na2-EDTA powder (for 10 l) and 400 g NaOH concentrate (pellets), for ammonium, nitrate, nitrite and orthophosphate TresCon® module.	821075
R/ P211	10 l reagent solution for orthophosphate TresCon® module OP 210... (TresCon® P211... and TCU/P211...), 12% salt acid.	821091
S/ BI - P211	Standard solution B-I (1.6 mg/l PO4-P) 1.5 l, for orthophosphate TresCon® module OP 210/MB 1 (resp. TresCon® P211 MB 1, TCU/P211 MB 1, OP 511, P 511).	821121
S/ BII - P211	Standard solution B-II (8 mg/l PO4-P), 1.5 l for orthophosphate TresCon® module OP 210/MB 2, TresCon® P211 MB 2 and TCU/P211 MB 2.	821122
S/ BIII - P211	Standard solution B-III (20 mg/l PO4-P), 1.5 l for orthophosphate TresCon® module OP 210/MB 3 TresCon® P211 MB 3 and TCU/P211 MB 3.	821123
C/TCM1	1.5 l cleaning solution for nitrate/SAC, nitrite, orthophosphate, total phosphorus for analyzer module TresCon® ON 210 and OS 210, TresCon® ON 510, TresCon® OP 210, TresCon® OP 510, and analyzers TresCon® N211/S211/N511/P211/P511 and TCU/N211/S211/N511/P211. Suitable as reagent solution for ammonium for analyzer module TresCon® OA110 and analyzers TresCon® A111 and TCU/A111	821156
EL/ TC	Spare lamp for photometer block.	821175
Wpack/ P211	Set of maintenance kit (fittings and spare tubes) for TresCon® phosphate analyzer module OP 210/..., TresCon® P211...and TCU/P211...	821195
Accessories and Replacement parts TresCon® Total Phosphate		
BEH/ T 1,5	1.5 l wide-necked bottle (with screw cap and labels).	821017
BEH/ T 10	10 l container (with screw cap and labels).	821019
R/ ADD/ TC	Pack of Na2-EDTA powder (390 g) as reagent additive for 10 l.	821071
R/ A111	Pack of 390 g Na2-EDTA powder (for 10 l) and 400 g NaOH concentrate (pellets), for ammonium, nitrate, nitrite and orthophosphate TresCon® module.	821075
RD/P511	Reagent D for module OP 510 (resp. TresCon® P511).	821096
RC/P511	Reagent C for module OP 510 (resp. TresCon® P511).	821097
RB/P511	Reagent B for module OP 510 (resp. TresCon® P511).	821098
RA/P511	Reagent A for module OP 510 (resp. TresCon® P511).	821099

* , ** , *** , **** , ***** An additional charge per meter must be added to the base price (see page 2)

Additional Products

Model	Description	Order No.
S/ BI - P211	Standard solution B-I (1.6 mg/l PO ₄ -P) 1.5 l, for orthophosphate TresCon® module OP 210/MB 1 (resp. TresCon® P211 MB 1, TCU/P211 MB 1, OP 511, P 511).	821121
C/TCM1	1.5 l cleaning solution for nitrate/SAC, nitrite, orthophosphate, total phosphorus for analyzer module TresCon® ON 210 and OS 210, TresCon® ON 510, TresCon® OP 210, TresCon® OP 510, and analyzers TresCon® N211/S211/N511/P211/P511 and TCU/N211/S211/N511/P211. Suitable as reagent solution for ammonium for analyzer module TresCon® OA110 and analyzers TresCon® A111 and TCU/A111	821156
EL/ TC	Spare lamp for photometer block.	821175
Wpack/P511	Set of maintenance kit (fittings and spare tubes) for TresCon® total phosphorus analyzer module OP 510, TresCon® P511.	821201
Filtration P 700 IQ		
Filter	Set of 2 filter membranes for filter membrane module FM and module case FM-Case	821972
FM	Filter membrane module with premounted membrane	821987
FM-B	Cleaning brush for filter membrane module	821968
FM-Adapter	Adapter for horizontal mounting of filter membrane module FM	821983
Filter-CL	Cleaning case for filter membranes	821984
M-EXT 1.5	Extension for attachment M 1.5. Included: Extension 1.5 m, chain, bracket	821985
M 1.5	Attachment for filtration. Included: Rail 1.5 m (4.9 ft), chain, bracket	821986
SL 230-20	Suction tube with slide, heated, 230 VAC, 20 m (65 ft)	821960
RL 2	Permeate return line, unheated, 2 m (6.5 ft)	821974
RL 230-2	Permeate return line, heated, 230 VAC, 2 m (6.5 ft)	821976
SL 10	Suction tube with slide, unheated, 10 m (33 ft)	821977
SL 230-10	Suction tube with slide, heated, 230 VAC, 10 m (33 ft)	821980
SL 230-5	Suction tube with slide, heated, 230 VAC, 5 m (16.2 ft)	821982
Accessories P 700 IQ		
Filter-REP	Replacement air filter for fan of Alyza IQ and P 700 IQ	821969
ST-BT	Bottle top with tube	821970
ST 0.0	Standard solution 0.0 mg/l PO ₄ -P (zeroing) for P 700 IQ (1.0l)	821971
RM	Rail mount for Alyza IQ and P 700 IQ	821988
WM	Wall mount for Alyza IQ and P 700 IQ	821989
LED	Replacement LED for photometer unit	821990
SM	Stand mount for Alyza IQ and P 700 IQ	821991
T SET B	Set of replacement parts (fittings and spare tubes)	821992B
PT	Replacement pump tube	821993
PM	Replacement pump motor for peristaltic pump	821994
ST 20.0	Standard solution 20.0 mg/l PO ₄ -P for P 700 IQ (1.0 l)	821995
ST 8.0	Standard solution 8.0 mg/l PO ₄ -P for P 700 IQ (1.0 l)	821996
ST 1.6	Standard solution 1.6 mg/l PO ₄ -P for P 700 IQ (1.0 l)	821997
CL 1.0	Cleaning solution for P 700 IQ (1.0 l)	821998
RE 2.5	Reagent for P 700 IQ for orthophosphate measurement (2.5 l)	821999
Analogue sensors as replacement for EcoLine® 170 and QuadroLine® 296		
SensoLyt® 690-7	Standard pH/ORP sensor with low impedance signal transmission, for connection to analogue monitors. With built-in pre-amplifier and temperature sensor (NTC), with 7 m (23 ft) cable and watertight plug	109180
SensoLyt® 700-7	Standard pH/ORP armature with low impedance signal transmission, with SensCheck function, for connection to EcoLine and QuadroLine® monitors. With built-in pre-amplifier and temperature sensor (NTC), with 7 m (23 ft) cable and watertight plug	109191

*, **, ***, ****, ***** An additional charge per meter must be added to the base price (see page 2)

Additional Products

Model	Description	Order No.
TriOxmatic® 700-7	Universal D.O. sensor with SensCheck for monitoring/controlling O2 input in wastewater treatment plants, for use with Eco-, Quadro- and TecnoLine monitor. Supplied with accessory kit (ZBK 600) comprising: 2 exch. membr. heads (WP 600/2), 50 ml electrolyte solution (ELY/A), 50 ml cleaning solution, 1x cathode cleaner (SF300), with integr. temperature sensor (NTC), 7 m/23 ft cable and watertight plug	201670
TriOxmatic® 700-15	Universal D.O. sensor with SensCheck for monitoring/controlling O2 input in wastewater treatment plants, for use with Eco-, Quadro- and TecnoLine monitor. Supplied with accessory kit (ZBK 600) comprising: 2 exch. membr. heads (WP 600/2), 50 ml electrolyte solution (ELY/A), 50 ml cleaning solution, 1x cathode cleaner (SF300), with integr. temperature sensor (NTC), 15 m/49 ft cable and watertight plug	201672
TetraCon® 700-7	Universal 4 electrode conductivity cell especially for waste water treatment plants, for use with EcoLine® and QuadroLine® monitors. With integrated temperature sensor, 7 m (23 ft) cable and watertight plug (IP68)	302316
TetraCon® 700-15	Universal 4 electrode conductivity cell especially for waste water treatment plants, for use with EcoLine® and QuadroLine® monitors. With integrated temperature sensor, 15 m (49 ft) cable and watertight plug (IP68)	302318

*, **, ***, ****, ***** An additional charge per meter must be added to the base price (see page 2)

Sellout of products

Model	Description	Order No.
VP 6-19/10	VP 6-pole electrode socket, 10 m cable KA 19 (1 coaxial + 3 cords), up to 266 °F (130 °C), free end	108455
KI/pH-MIQ/S	Connection box as wallmounting device, for high impedance plug head electrode use on IQ SENSOR NET Systems. K 5 S and TFK 150/325 temperaturesensor separately necessary. Dimensions, W x H x D: 240 x 165 x 95 mm. Protection: IP 65	505544
KI/LF-0,4/MIQ	Connection box for 2- and 4-electrode conductivity cells with NTC for use with IQ SENSOR NET systems with a cell constant of 0.475 cm ⁻¹ . For connection to laboratory-cells an adapter is required (303212 ADA AMPH LAB LF). Dimensions, W x H x D: 240 x 165 x 95 mm. Protection IP 65.	505572
RL 115-10	Permeate return line, heated, 115 VAC, 10 m (32 ft)	821965
RL 230-10	Permeate return line, heated, 230 VAC, 10 m (32 ft)	821966

*, **, ***, ****, ***** An additional charge per meter must be added to the base price (see page 2)

Technical Attachment

- 64** IQ SENSOR NET – Sensors and Analyzers
- 71** IQ SENSOR NET – System overview
- 73** IQ SENSOR NET – System 2020
- 77** IQ SENSOR NET – System 282/284
- 79** IQ SENSOR NET – System 281
- 80** IQ SENSOR NET – Configurations
- 84** IQ SENSOR NET – Electrical connections
- 88** Analog measurement
- 93** Process electrodes
- 94** ATEX
- 95** Accessories

IQ SENSOR NET – Sensors and Analyzers

Sensors																					
Parameter	TriOxmatic® 700/701/702 IQ (SW)	FDO® 700/701 IQ (SW)	Sensolyt® 700 IQ (SW)	TetraCon® 700 IQ (SW)	Viso Turb® 700 IQ (SW)	ViSolid® 700 IQ	AmmoLyt® Plus 700 IQ	NitraLyt® Plus 700 IQ	VARION® Plus 700 IQ	NitraVis® 701/705 IQ (TS)	NitraVis® 701/705 IQ NI	CarboVis® 701/705 IQ (TS/Co)	NiCaVis® 705 IQ (TS/SF/Co)	NiCaVis® 701/705 IQ (NI) SF	UV 701/705 IQ SAC	UV 701/705 IQ NOx	IFL 700 IQ	ColorVis 705 IQ	Alyza IQ PO ₄	Alyza IQ NH ₄	
Usable with System 2020 and 282/284	●	●	●	●	●	●	●	●	●	●	●	●	●	●	●	●	●	●	●	●	●
Usable with System 281	●	●	●	●	●	●											●				
Power consumption [W]	0,2	0,7	0,2	0,2	1,5	1,5	0,2	0,2	0,2	8,0*	8,0*	8,0*	8,0*	8,0*	8,0*	8,0*	5,5*	8,0*	**	**	
Parameter																					
Temperature	●	●	●	●			●	●	●												
Diss. Oxygen (electrochem.)	●																				
Diss. Oxygen (optical)		●																			
pH			●																		
ORP			●																		
Conductivity				●																	
Salinity				●																	
TDS				●																	
Turbidity (optical)					●																
TSS (optical)					●	●				●		●	●								
Ammonium (ion-selective)							●		●												
Ammonium (wet chemical)																					●
Nitrate (ion-selective)								●	●												
Nitrate (optical/spectral)										●	●		●	●		● [†]					
Nitrite (optical/spectral)											●			●		●					
Potassium (ion-selective)							●		●												
Chloride (ion-selective)								●	●												
COD (optical/spectral)												●	●	●							
BOD (optical/spectral)												●	●	●							
TOC (optical/spectral)												●	●	●							
DOC (optical/spectral)												●	●	●							
SAC (optical/spectral)												●	●	●	●						
UVT (optical/spectral)												●	●	●	●						
Sludge Level																	●				
Orthophosphate (opt./wet chem.)																					●
Color (optical /spectral)												●	●						●		

* When operating with System 282/284, the average power consumption can be used. Details see operating manual System 282/284

** Power supply: Alyza IQ PO₄ provides 10 W

† NO₂-N is included in the measurement result

Configuration Guide Digital D.O. Measurement		
	1. Measuring range 2. Response time t_{90} 3. SensCheck Function	Applications
FDO 700 IQ D.O. sensor for water/wastewater	1.: 0.0 ... 20.0 mg/l 0 ... 200% 2.: < 150 s 3.: SensCheck	<ul style="list-style-type: none"> • Quality monitoring wastewater • Quality monitoring drinking water • Quality monitoring surface water • Quality monitoring fishfarming • Control of oxygen input • SW: version for corrosive media or sea water
FDO 700 IQ (SW)* D.O. sensor for water/wastewater	1.: 0.0 ... 20.0 mg/l 0 ... 200% 2.: < 150 s 3.: SensCheck	
FDO 701 IQ D.O. sensor for water/wastewater	1.: 0.0 ... 20.0 mg/l 0 ... 200% 2.: < 60 s 3.: SensCheck	
FDO 701 IQ (SW)* D.O. sensor for water/wastewater	1.: 0.0 ... 20.0 mg/l 0 ... 200% 2.: < 60 s 3.: SensCheck	
TriOxmatic® 700 IQ D.O. sensor for water/wastewater	1.: 0.0 ... 60.0 mg/l 0 ... 600% 2.: < 180 s 3.: SensLeck SensReg	<ul style="list-style-type: none"> • like FDO(R) sensors, but with higher measuring range • Monitoring of industrial processes, as greater insensitivity to interfering substances such as solvents, oil products, ozone or chlorine
TriOxmatic® 700 IQ (SW)* D.O. sensor for water/wastewater	1.: 0.0 ... 60.0 mg/l 0 ... 600% 2.: < 180 s 3.: SensReg	
TriOxmatic® 701 IQ D.O. sensor for water/wastewater	1.: 0.00 ... 20.00 mg/l 0.0 ... 60.0 mg/l 0.0 ... 200.0% 0 ... 600% 2.: < 30 s 3.: SensLeck SensReg	
TriOxmatic® 702 IQ Trace Level D.O. sensor	1.: 0 ... 2000 µg/l 0.00 ... 10.00 mg/l 0 ... 110% 2.: < 30 s 3.: SensReg	<ul style="list-style-type: none"> • ppb measuring range • Ultrapure water • Boiler feedwater

* SW: Designed to be more resistant against corrosion (with POM plastic armoring)



Detailed technical data can be found in the brochure "Data sheets process instrumentation" (999266US); also available on our homepage [www.xylymanalytics.com/en/under Customer Support/Downloads/Datasheets](http://www.xylymanalytics.com/en/under_Customer_Support/Downloads/Datasheets).

Configuration Guide Digital pH/ORP Measurement

		IQ SENSOR NET Systems 2020 and 281/282/284	
Digital	Sensolyt® 700 IQ with integrated pre-amplifier, integrated temperature measurement 32 ... 140 °F (0 ... 60 °C), SensorCheck and calibration value storage	Compatible electrodes: SEA, SEA-HP, DWA, ECA, PtA Temp.: 32 ... 140 °F (0 ... +60 °C) Measuring range when using armature: 4 ... 12 pH	<ul style="list-style-type: none"> • Digital signal transmission • SensCheck • pH/ORP measurement in highly polluted wastewater (municipal/industrial) Type SEA • pH measurement in normally polluted wastewater (municipal/industrial) Type ECA • pH measurement in drinking water (DWA) • ORP measurement in highly polluted wastewater (municipal/industrial) Type PtA • Inline installation (SEA or SEA-HP)
	Sensolyt® 700 IQ (SW)* with integrated pre-amplifier, integrated temperature measurement 32 ... 140 °F (0 ... 60 °C), SensorCheck and calibration value storage	Compatible electrodes: SEA, SEA-HP, DWA, ECA, PtA Temp.: 32 ... 140 °F (0 ... +60 °C) Measuring range when using armature: 4 ... 12 pH	<ul style="list-style-type: none"> • Digital signal transmission • SensCheck • pH/ORP measurement in highly polluted wastewater (municipal/industrial) Type SEA • pH measurement in normally polluted wastewater (municipal/industrial) Type ECA • pH measurement in drinking water (DWA) • ORP measurement in highly polluted wastewater (municipal/industrial) Type PtA • Inline installation (SEA or SEA-HP)

Configuration Guide Analog pH/ORP Measurement with IQ SENSOR NET

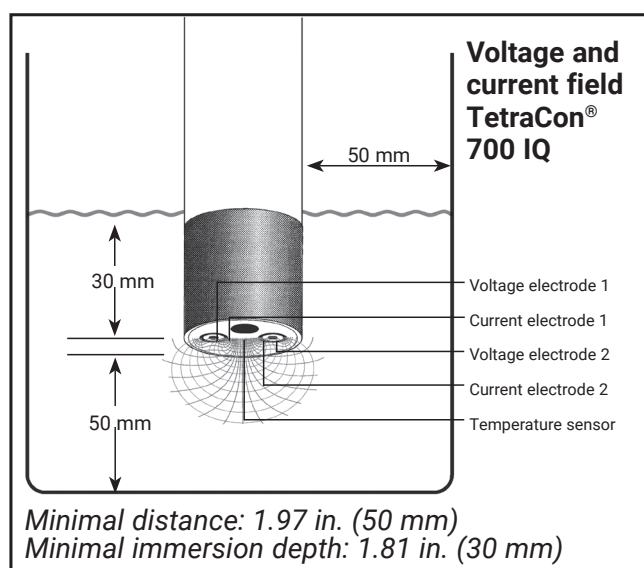
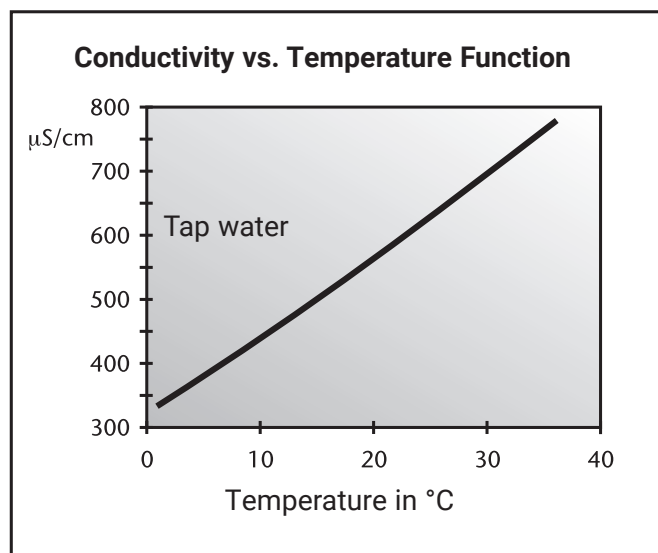
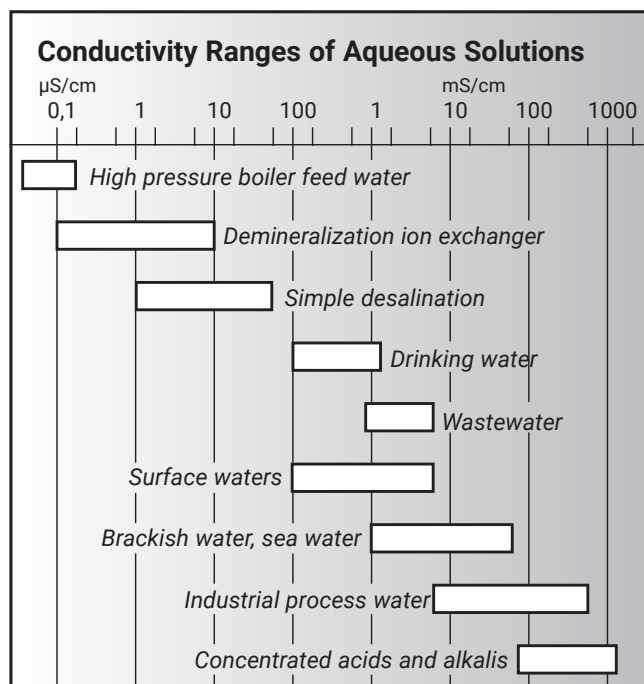
(connection via junction box KI/pH-MIQ/S to Systems 282/284 & 2020)

Analog	CHEMtrac 830 M pH/ORP retractable housing with flushing chamber for maintenance and calibration, stainless steel 1.4404/316L, operating conditions: 16 bar, 284 °F (140 °C)	Applicable electrodes: PL 80-225pH: 0 ... 14 pH, 32 ... 266 °F (0 ... 130 °C) PL 89-225pt: -2000 ... +2000 mV, 32 ... 266 °F (0 ... 130 °C)	KI/pH-MIQ/S (505 544) K 5 S cable (108 461) AS 9 HI-6,0 cable (108 507)
---------------	---	---	---

* SW: Sensor in sea water design (with plastic armouring (POM))



Detailed technical data can be found in the brochure "Data sheets process instrumentation" (999266US); also available on our homepage [www.xylemanalytics.com/en/under Customer Support/Downloads/Datasheets](http://www.xylemanalytics.com/en/under_Customer_Support/Downloads/Datasheets).



Configuration Guide Digital Conductivity Measurement

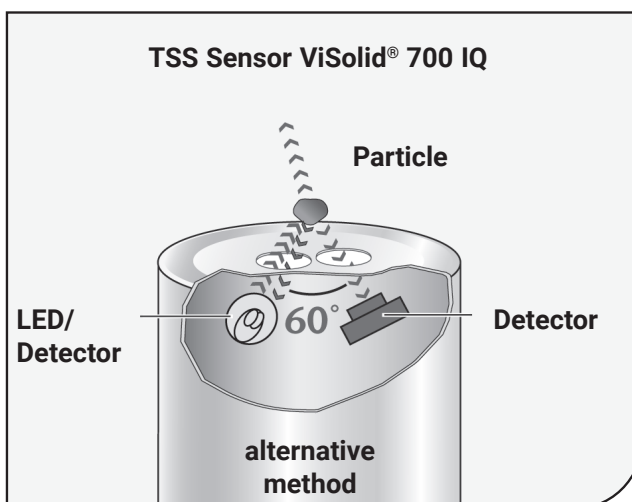
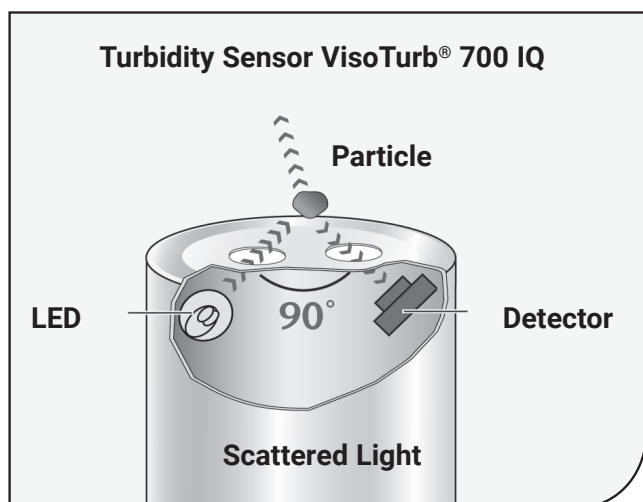
		1. Measuring range 2. Cell constant 3. Probe type 4. Temperature compensation	5. Temperature range 6. Pressure range 7. Protection rating	IQ SENSOR NET Systems 2020 and 281/282/284
Digital	TetraCon® 700 IQ	1.: 10 µS/cm ... 500 mS/cm 2.: K=0.917 cm ⁻¹ 3.: 4-electrode cell 4.: NTC	5.: 0 ... 60 °C (32 ... 140 °F) 6.: 10 bar 7.: IP 68 (electrode)	Water/Wastewater; Usable Measuring Range: 0.00 ... 20.00 µS/cm 0.0 ... 200.0 µS/cm 0.000 ... 2.000 mS/cm 0.00 ... 20.00 mS/cm 0.0 ... 200.0 mS/cm 0 ... 500 mS/cm
	TetraCon® 700 IQ (SW)*	1.: 10 µS/cm ... 500 mS/cm 2.: K=0.917 cm ⁻¹ 3.: 4-electrode cell 4.: NTC	5.: 0 ... 60 °C (32 ... 140 °F) 6.: 10 bar 7.: IP 68 (electrode)	Water/Wastewater; Usable Measuring Range: 0.00 ... 20.00 µS/cm 0.0 ... 200.0 µS/cm 0.000 ... 2.000 mS/cm 0.00 ... 20.00 mS/cm 0.0 ... 200.0 mS/cm 0 ... 500 mS/cm

Configuration Guide Analog Conductivity Measurement with IQ SENSOR NET

(connection via junction box KI/LF-0,9/MIQ to Systems 282/284 & 2020)

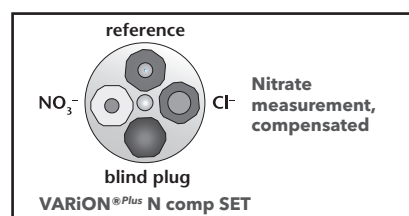
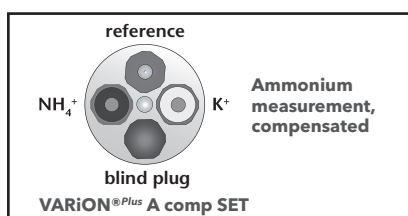
Analog	TetraCon® 700	1.: 10 µS/cm ... 1000 mS/cm 2.: K=0.917 cm ⁻¹ 3.: 4-electrode cell 4.: NTC	5.: 0 ... 50 °C (23 ... 122 °F) 6.: 10 bar 7.: IP 68 (electrode)	KI/LF-0,9/MIQ 505 570
	LRD 01	1.: 0,01 ... 200 µS/cm 2.: K=0.1 cm ⁻¹ 3.: 2-electrode cell 4.: NTC	5.: -5 ... 130 °C (23 ... 266 °F) 6.: 14 bar (20 °C / 68 °F) 7.: IP 68 (electrode)	KI/LF-0,1 MIQ 505 573
	LRD 325	1.: 1 µS/cm ... 2 S/cm 2.: K=0.475 cm ⁻¹ 3.: 4-electrode cell 4.: NTC	5.: -5 ... 100 °C (23 ... 212 °F) 6.: 10 bar 7.: IP 68 (electrode)	KI/LF-0,4/MIQ 505 572
	LR 325/01	1.: 0.001 ... 300 µS/cm 2.: K=0.1 cm ⁻¹ 3.: 2-electrode cell 4.: NTC	5.: -5 ... 100 °C (23 ... 212 °F) 6.: 2 bar 7.: IP 68 (electrode)	KI/LF-0,1 MIQ 505 573 + ADA/AMPH-LAB-LF 303 212
	LR 325/001	1.: 0.0001 ... 30 µS/cm 2.: K=0.01 cm ⁻¹ 3.: 2-electrode cell 4.: NTC	5.: -5 ... 100 °C (23 ... 212 °F) 6.: 2 bar 7.: IP 68 (electrode)	KI/LF-0,01 MIQ 505 574 + ADA/AMPH-LAB-LF 303 212
	TetraCon® 325	1.: 1 µS/cm ... 2 S/cm 2.: K=0.475 cm ⁻¹ 3.: 4-electrode cell 4.: NTC	5.: -5 ... 100 °C (23 ... 212 °F) 6.: 2 bar 7.: IP 68 (electrode)	KI/LF-0,4/MIQ 505 572 + ADA/AMPH-LAB-LF 303 212
	TetraCon® DU/T	1.: 1 µS/cm ... 2 S/cm 2.: K=0.778 cm ⁻¹ 3.: 4-electrode cell 4.: NTC	5.: 0 ... 60 °C (32 ... 140 °F) 6.: 2 bar 7.: IP 65	KI/LF-0,7/MIQ 505 571 + ADA/AMPH-LAB-LF 303 212 + KKDU 325 301 963

* SW: Sensor in sea water design (with plastic armouring (POM))

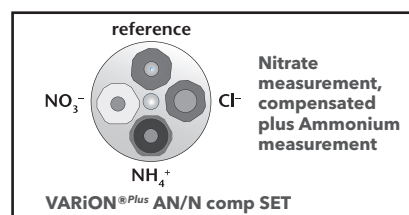
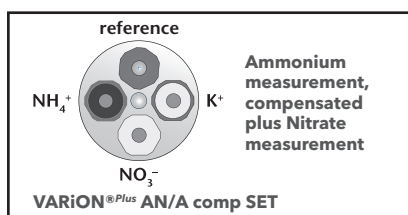


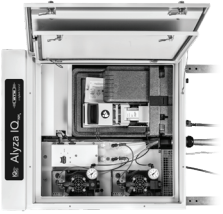





VARiON® 700 IQ
Mounting variants:

NH_4^+ or NO_3^-



Double sensors
 NH_4^+ and NO_3^-



WTW Measuring Systems for Nitrogen					
● recommended by WTW ○ suitable ○ conditionally applicable			*Measurement in aeration basin		
System Sensor/Module	Ammonium	Ammonium and Nitrate	Nitrate	Nitrate	Nitrate and Nitrate
 IQ SENSOR NET Alyza IQ NH ₄	 IQ SENSOR NET AmmolYt® Plus 700 IQ	 IQ SENSOR NET VARION® Plus 700 IQ	 IQ SENSOR NET NitraLyt® Plus 700 IQ	 IQ SENSOR NET UV 70X IQ NO _x	 IQ SENSOR NET NitraVis® 70X IQ (NI)/ NiCaVis® 70X IQ NI/SF
Measured Variable	NH ₄	NH ₄ and NO ₃	NO ₃	NO _x	NO ₂ and NO ₃
Inlet (determination of load)	○ m	○	○	○ m	○ m
Aeration (regulation and control)	●	○ m	○ m	○ m	○ m
Effluent (monitoring)	●	○ m	○ m	○ m	○ m
Autom. Cleaning	cleaning solution	compressed air	compressed air	compressed air	ultrasonic (compressed air)
Cleaning Cycles	variable	variable	variable	variable	variable
Measuring	wet chemical analyzer	in-situ	in-situ	in-situ	in-situ
Sample Preparation	filtration	none	none	none	none
Measuring Interval	10 min. to 12 hrs.	continuous	continuous	continuous	continuous
Response Time	<10 min.	quick	quick	quick	quick
Measuring Method	optical/wet chemical (Berthelot method)	ISE (ion-selective)	ISE (ion-selective)	single wavelengths absorption measurement	UV-VIS and UV spectrometric
Accuracy	very good	good	good	good	good
Cross Sensitivity	negligible	yes/potassium, compensable	yes/chloride, compensable	low	autom.compensated (spec-trum)
Calibration	automatic two-point calibration	factory calibration	factory calibration	not necessary	not necessary
Investment Costs	medium	low	low	low	medium
Additional Costs	filtration	—	—	—	—
Operational Costs	medium	low	low	none	none
Consumables	reagents, MPV, filter, tube set	electrodes	electrodes	none	none

IQ SENSOR NET – System overview

The IQ SENSOR NET system consists of a variable number of system components with different functions.

The individual components and their primary functions are:		
Controller and terminal	Controller	Controls all communication within the system
	Terminal	Display of measurements, operation and system configuration ("Human Machine Interface")
Modules	Power supply modules	Power supply for system components
	Combined output module	Transmission of measured data or message/alarm functions (mA/relays)
	Branching modules	System branching and sensor connection
Sensors	IQ sensors and connection modules for passive sensors	Measurement of parameters
Cables	Sensor connection cable	Cables for connecting sensors to modules
	Module connection cable	Cables for connecting modules to remote measuring points
	Module connection cable, ground installation	Cables for connecting modules to remote measuring points, specifically for the ground installation.

Systems 281, 282/284 and 2020						
	System 281		System 282/284		System 2020	
Max. Number of connectable Sensors	1*		2/4		20	
Max. number of parallel measured parameters	1*		20**		20**	
Output Signals	ANALOG:	DIGITAL:	ANALOG:	DIGITAL:	ANALOG:	DIGITAL:
	2 Analog outputs, 2 Relays	• RS 485	Analog outputs (0/4 - 20 mA), Relays	• RS 485 • RJ 45	Analog outputs (0/4 - 20 mA), Relays	• RS 485 • RJ 45
		FIELDBUSES: • Modbus RTU		FIELDBUSES: • Profibus DP • Modbus RTU • EtherNet / IP™ • Modbus TCP • PROFINET		FIELDBUSES: • Profibus DP • Modbus RTU • EtherNet / IP™ • Modbus TCP • PROFINET
	(digital and field bus parallel to analog possible)					
Knowledge of Special Automation Technology Required	Basically no		Basically no, in PROFIBUS/Modbus systems yes		Basically no, in PROFIBUS/Modbus systems yes	
Additional Options						
Additional Displays	No		No		Yes	
Redundant Controller	No		No		Yes	
Datalogger	No		Yes		Yes	
Modem-capable Interface (Fixed Line Telephone)	No		Yes Alarms and measured values		Yes Alarms and measured values – MIQ/TC 2020 3G: via SMS and web browser – MIQ/MC3 family: via e-mail and web browser	
Radio connection	Yes		Yes		Yes	

* Only the following IQ sensors can be connected here: SensoLyt® 700 IQ (SW), FDO 700/701 IQ (SW), TriOxmatic® 700 IQ (SW), TetraCon® 700 IQ (SW), ViSolid® 700 IQ (SW), VisoTurb® 700 IQ (SW) and IFL 700 IQ.

** The sensors VARION®^{plus} 700 IQ, NitraVis 701/705 IQ TS, CarboVis 701/705 IQ (TS), NiCaVis 705 IQ, NiCaVis 701/705 IQ NI measure at least 2 parameters.

Modules	MIQ/PS	MIQ/24V	MIQ/C6	MIQ/R6	MIQ/CR3	MIQ/IC2	MIQ/3-MOD	MIQ/3-PR	MIQ/JB	MIQ/JBR	MIQ/WL PS (SET) ***	MIQ/TC2020 3G	Terminal IQ	MIQ/MC3	MIQ/MC3-MOD	MIQ/MC3-PR	Cleaning Air Box - 230 VAC	Cleaning Air Box - 115 VAC	MIQ/CHV PLUS
Usable with System 2020	●	●	●	●	●	●	●	●	●	●	●	●	●	●	●	●	●	●	●
Usable with System 282/284	●	●	●	●	●	●			●		●						●	●	●
Usable with System 281	●	●	●		●						●								
Available IQSN connectors	3	3	2	2	2	2	3	3	4	4	3	×	×	2	2	2	×	×	2
Electrical current [W]	*	*	3.0	1.5	3.0	0.2	3.0	3.0	0.0	0.2	0.6	3.0	3.0	2.5	3.0	3.0	**	**	2.5
Module features																			
Power supply																			
100...240 V AC	●																		
24 V AC/DC		●																	
Analog outputs/relays																			
6 x 0/4...20 mA			●																
6 x relays				●															
3 x 0/4...20 mA 3 x relays					●														
Analog inputs																			
2 x 0/4...20 mA						●													
Interfaces																			
MODBUS							●								●				
PROFIBUS								●									●		
USB							x	●	x	●		●		●	●	●			
Ethernet/LAN (Profinet, Ethernet/IP, Modbus TCP)														●	●	●			
Intra-system connectivity																			
4 available IQSN connectors									●										
4 available IQSN connectors, including signal amplification for large distances										●									
Radio transmission											●								
Controller																			
Controller/Terminal (with Display)												●							
Terminal (with Display)													●						
Controller in standard IQ module without display														●	●	●			
Compensation																			
Air-pressure compensation for D.O. measurement														●	●	●			
Compressed air cleaning																			
Air compressor 230 VAC																		●	
Air compressor 115 VAC																			●
Valve for automatic cleaning																			●

* Power supply: MIQ/PS and MIQ/24V provide 18W

** Integrated power supply

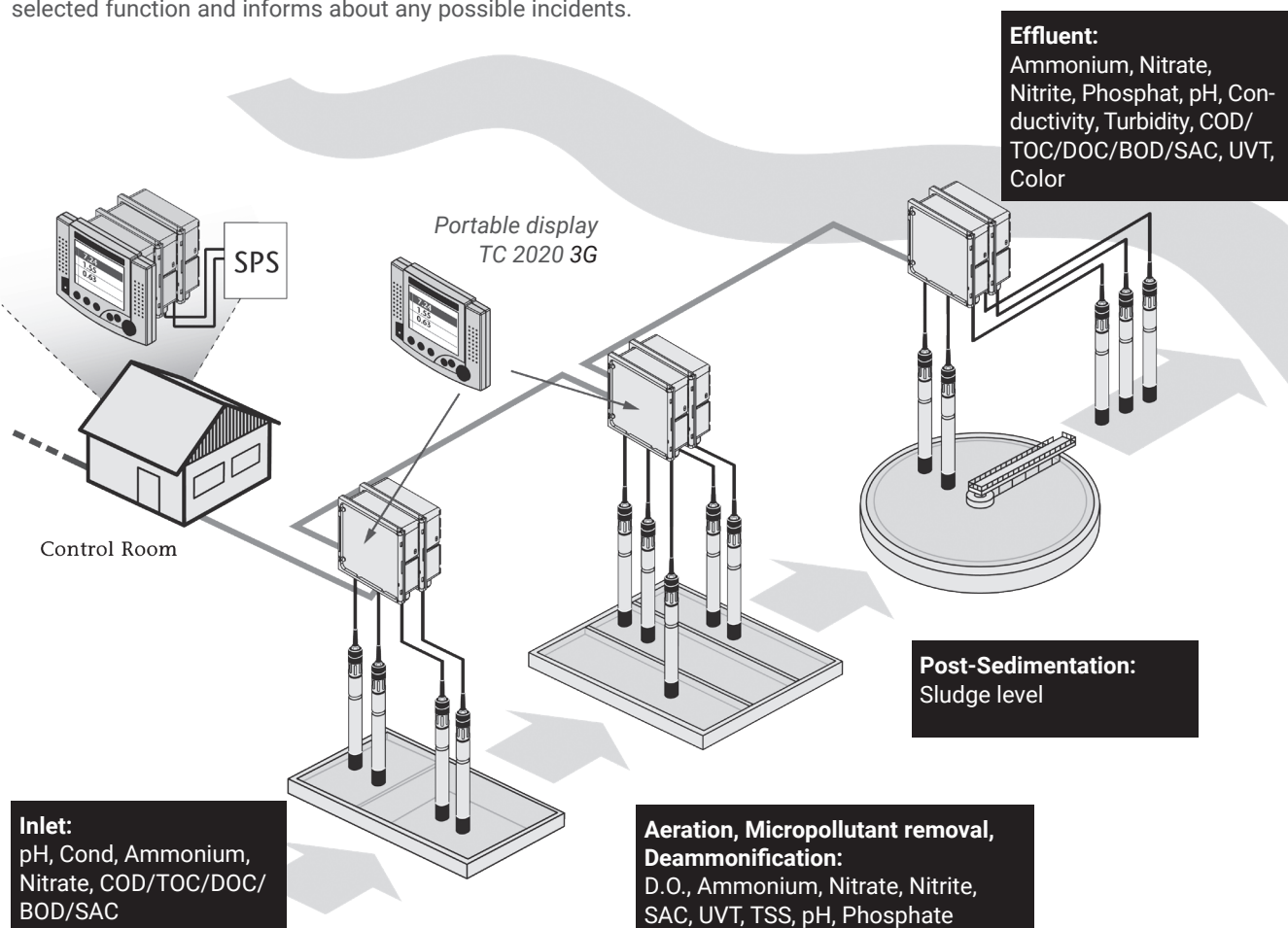
*** When used as power supply module: power supply 7 W; otherwise consumption of 0.6 W

x USB-interface only for software update

IQ SENSOR NET – System 2020

System architecture 2020

The terminal/controller MIQ/TC 2020 3G can be operated as either controller (permanently installed with the system) as also as mobile terminal. This function can be configured with the software by each user. The status LED indicates the selected function and informs about any possible incidents.



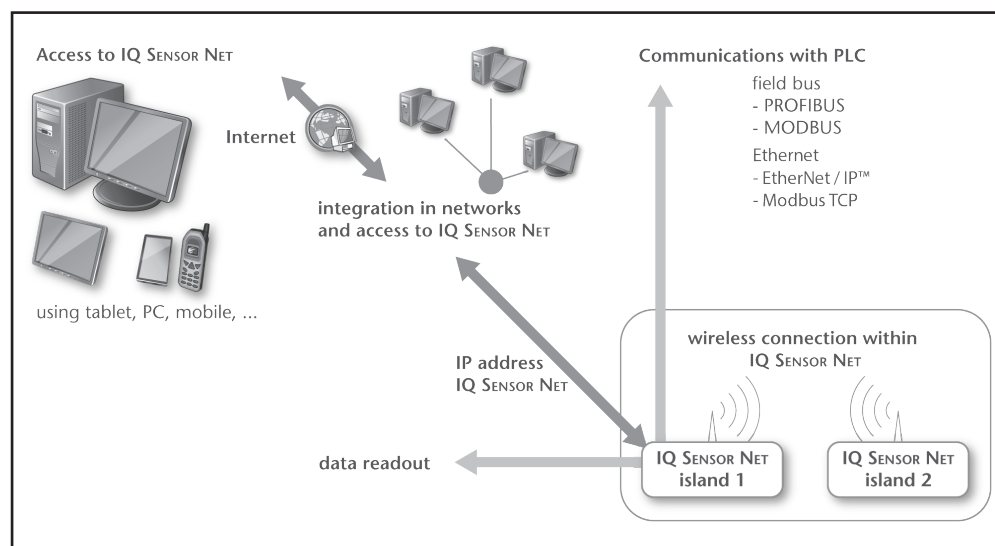
Digital communication with the IQ SENSOR NET

MIQ/3-PR modul IQ
with PROFIBUS-DP
connection

MIQ/3-MOD modul IQ
with MODBUS RTU/RS
485 connection

MIQ/WL PS
for wireless connection
and linking with the
IQ SENSOR NET System

Additional IQ SENSOR NET
islands possible.



System components and functions			
Terminal/Controller			
	Model	Function	Order No.
Central Control Unit	MIQ/TC 2020 3G (Operation in MODBUS: terminal/ controller)*	Central terminal/controller unit: is required to be installed once at any point, remains in the system, cannot be removed. Operation mode is shown through LED.	470 020
	Terminal IQ	As MIQ/TC 2020 3G, but no controller functionality	470021
	MIQ/TC 2020 3G-CR3	Multi-parameter measuring converter, consisting of the components MIQ/TC 2020 3G + MIQ/CR3 + MIQ/PS, 100 – 240 VAC main voltage, 3 analog outputs (0/4-20 mA) and 3 relay outputs, up to 20 free selectable IQ sensors can be connected	470 022
	MIQ/TC 2020 3G-C6	Multi-parameter measuring converter, consisting of the components MIQ/TC 2020 3G + MIQ/C6 + MIQ/PS, 100 – 240 VAC main voltage, 6 analog outputs (0/4-20 mA) up to 20 free selectable IQ sensors can be connected	470 024
	MIQ/TC 2020 3G-EF	Multi-parameter measuring converter, consisting of the components MIQ/TC 2020 3G + MIQ/MC3 + MIQ/PS; 100 - 240AC main voltage; Ethernet interface; Controller-Back-Up-Function; up to free selectable 20 IQ sensoren can be connected	470 026
Controller			
	MIQ/MC3	Module IQ/Micro Controller; is required to be installed once at any point; with fully automatic air-pressure compensation and USB + LAN interface	471 020
	MIQ/MC3-MOD	Module IQ/Micro Controller with fully automatic air-pressure compensation and MODBUS RTU / RS 485 connection and USB + LAN interface	471 022
	MIQ/MC3-PR	Module IQ/Micro Controller with fully automatic air-pressure compensation and PROFIBUS-DP / RS 485 connection and USB + LAN interface	471 023
MIQ Modules			
	Model	Function	Order No.
Power Supply	MIQ/PS for 100 – 240 VAC	Depending on the power consumption up to 6 modules can be installed in the system.	480 004
	MIQ/24V for 24 VAC/24 VDC		480 006
Output Modules (analog)	MIQ/CR3 with 3 analog (0/4-20 mA) and 3 relay outputs	With any combination up to max. 48 output channels (sum of current outputs and relays)	480 014
	MIQ/C6 with 6 analog outputs (0/4-20 mA)		480 015
	MIQ/R6 with 6 relay outputs		480 013
Output Modules (digital)	MIQ/3-MOD	Module IQ with fully automatic air-pressure compensation and MODBUS RTU/RS 485 connection	471 026
	MIQ/3-PR	Module IQ with fully automatic air-pressure compensation and PROFIBUS-DP/RS 485 connection	471 027
Magnetic valve module	MIQ/CHV PLUS	Magnetic valve module for automatic controlled cleaning via compressed air	480 018
Linking modules	MIQ/JB	MIQ/JB with 4 connections (for IQ Net or IQ sensors)	480 008
	MIQ/JBR	MIQ/JBR, same as MIQ/JB additionally with amplifier signal for long cable distances (>1 km total length)	480 010
Connecting module Power input	MIQ/IC2	MIQ/IC2 with 2 inputs for 0/4-20 mA signals Enables the connection of separate measuring transmitters and analyzers to the IQ Net	480 016
Radio communication module	MIQ/WL PS	For wireless connection and linking within the IQ SENSOR NET system	480 023 (480 025)

*Via the software adjustable by user.



Detailed technical data can be found in the brochure "Data sheets process instrumentation" (999266US); also available on our homepage [www.xylemanalytics.com/en/under Customer Support/Downloads/Datasheets](http://www.xylemanalytics.com/en/under_Customer_Support/Downloads/Datasheets).

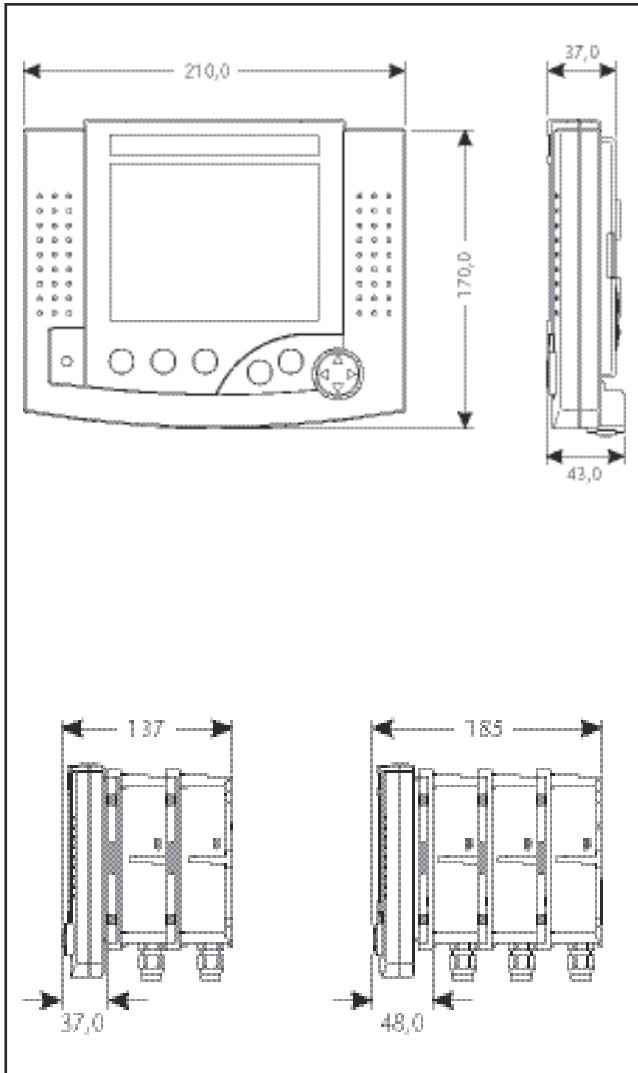
Configuration and Performance Data				
IQ Sensors				
Type	Description		System 2020 Number min/max	Power Consumption/ Output / W
SensoLyt® 700 IQ (SW)	pH/ORP assembly		1 / 20***	⇒ 0.2
TriOxmatic® 700 IQ (SW)	D.O. sensor			⇒ 0.2
TriOxmatic® 701/702 IQ	D.O. sensor			⇒ 0.2
FDO 700/701 IQ (SW)	Optical D.O. sensor			⇒ 0.7
TetraCon® 700 IQ (SW)	Conductivity sensor			⇒ 0.2
VisoTurb® 700 IQ (SW)	Turbidity sensor			⇒ 1.5
ViSolid® 700 IQ (SW)	Suspended solids sensor			⇒ 1.5
VARION®Plus 700 IQ	Double sensor Ammonium and Nitrate (ISE)			⇒ 0.2
AmmoLyt®Plus 700 IQ	Ammonium assembly (ISE)			⇒ 0.2
NitraLyt®Plus 700 IQ	Nitrate assembly (ISE)			⇒ 0.2
NitraVis 701/705 IQ (TS)	Spectral Nitrate sensor			⇒ 8.0
NitraVis 701/705 IQ NI	Spectral sensor for the measurement of Nitrate and Nitrite			⇒ 8.0
CarboVis 701/705 IQ (TS/Co)	Spectral sensor for the measurement of COD/TOC/DOC/BOD/SAC/UVT ₂₅₄			⇒ 8.0
NiCaVis 705 IQ (TS/SF/Co)	Spectral sensor for the measurement of Nitrate and COD/TOC/DOC/BOD/SAC/UVT ₂₅₄			⇒ 8.0
NiCaVis 701/705 IQ (NI)SF	Spectral sensor for the measurement of Nitrate, Nitrite and COD/TOC/DOC/BOD/SAC/UVT ₂₅₄			⇒ 8.0
UV 701/705 IQ SAC	Optical sensor for the measurement of SAC and UVT ₂₅₄			⇒ 8.0
UV 701/705 IQ NOx	Optical sensor for the measurement of NOx			⇒ 8.0
ColorVis 705 IQ	Optical sensor for the measurement of Color			⇒ 8.0
IFL 700 IQ	Sludge level sensor with integrated scraper			⇒ 5.5
Alyza IQ PO ₄	Phosphate analyzer			10.0 ⇒
Alyza IQ NH ₄	Ammonium analyzer			10.0 ⇒
Output modules analog with numbers ⊗ of IQ SENSOR NET terminal connections				
			In total there are 48 output channels/ system available	
	Each mA-output, each relais with one module is considered as 1 channel.		Number of occupied output channels	
MIQ/CR3	Module IQ / current relay 3 with 3 analog outputs and 3 relay outputs each	②	6	⇒ 3.0
MIQ/C6	Module IQ / current 6 with 6 analog outputs	②	6	⇒ 3.0
MIQ/R6	Module IQ/ Relais 6 with 6 relay outputs	②	6	⇒ 1.5
MIQ/CHV PLUS	Module IQ/ Cleaning Head Valve for automatically controlled cleaning	②	1	⇒ 2.5
Output modules digital				
MIQ/3-PR	Module IQ with PROFIBUS-DP connection	②		⇒ 3.0
MIQ/3-MOD	Module IQ with MODBUS RTU / RS 485 connection	②		⇒ 3.0
MIQ/WL PS (SET)	Modules IQ for wireless connection within the IQ SENSOR NET system	③	1 / 10	⇒ 0.6
Power input connection module mA				
MIQ/IC2**	IQ / input current 2, module with 2 inputs for 0 / 4 - 20 mA signals	②	each occupied current input is counted as IQ sensor	⇒ 0.2*
MIQ/JB	IQ / junction box module	④	0 / 25	⇒ 0.0 (non- active module)
MIQ/JBR	IQ / junction box repeater module	④	0 / 2	⇒ 0.2
Terminal-Controller				
MIQ/TC 2020 3G and Terminal IQ	Terminal / controller for system 2020 Terminal for System 2020		In total 3 units, whereby 1 is installed constantly and 2 are removable or replaceable	⇒ 3.5
Controller				
MIQ/MC3	Module IQ/Micro Controller	②		⇒ 2.5
MIQ/MC3-PR	Module IQ/Micro Controller with PROFIBUS-DP connection	②		⇒ 3.0
MIQ/MC3-MOD	Module IQ/Micro Controller with MODBUS RTU / RS-485 connection	②		⇒ 3.0
Power supply modules				
MIQ/PS	IQ / power supply module for input power with wide range power supply unit for 100 - 240 VAC input voltage	③	1 / 6	18 ⇒
MIQ/24V	IQ / 24 V module for input power with 24 VAC or 24 VDC input voltage	③		18 ⇒

Attention: Please consider power consumption of SNCIQ cable: 1 W per 100 m/109 yds (for cable lengths above 400 m/437 yds)

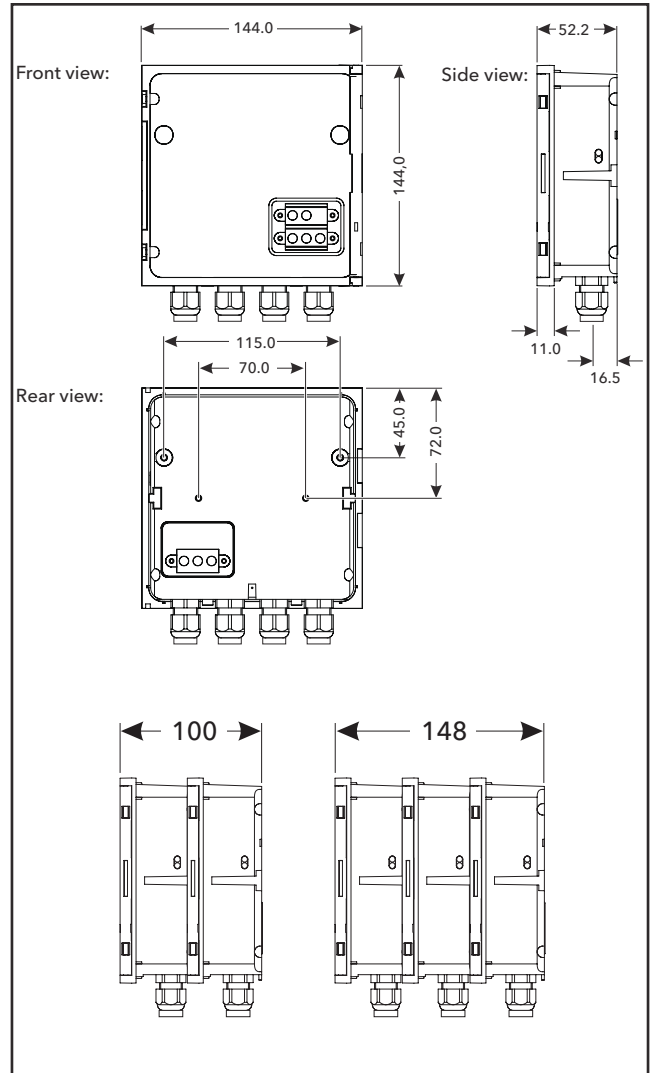
* further power consumption by external devices is possible.

** each occupied current input is counted as IQ sensor

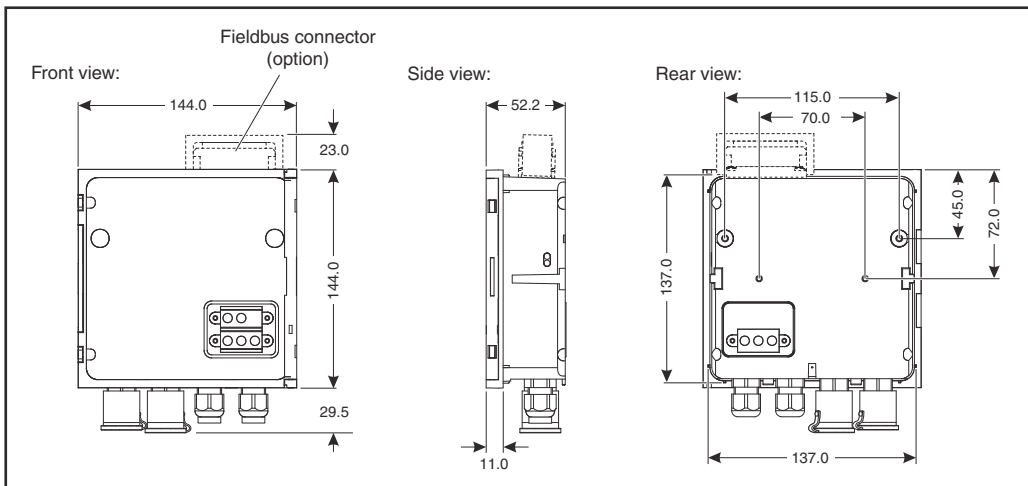
MIQ/TC 2020 3G and Terminal IQ



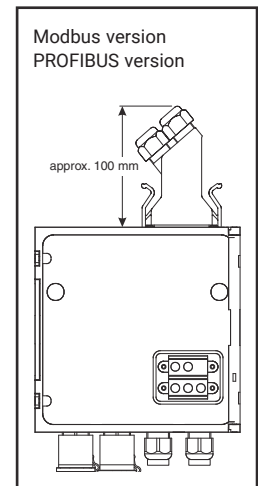
MIQ-Modules



MIQ/MC3



Connection variants



IQ SENSOR NET – System 282/284

Configuration and Performance Data				
IQ Sensors				
Type	Description		Systems 282/284 Number Min/Max	Power consumption [W]
SensoLyt® 700 IQ (SW)	pH/ORP assembly			⇒ 0.2
TriOxmatic® 700 IQ (SW)	D.O. sensor			⇒ 0.2
TriOxmatic® 701/702 IQ	D.O. sensor			⇒ 0.2
FDO 700/701 IQ (SW)	Optical D.O. sensor			⇒ 0.7
TetraCon® 700 IQ (SW)	Conductivity sensor			⇒ 0.2
VisoTurb® 700 IQ (SW)	Turbidity sensor			⇒ 1.5
ViSolid® 700 IQ (SW)	Suspended solids sensor			⇒ 1.5
VARION®Plus 700 IQ	Double sensor Ammonium and Nitrate (ISE)			⇒ 0.2
AmmoLyt®Plus 700 IQ	Ammonium assembly (ISE)			⇒ 0.2
NitraLyt®Plus 700 IQ	Nitrate assembly (ISE)		DIQ/S 282 1/2	⇒ 0.2
NitraVis 701/705 IQ (TS)	Spectral Nitrate sensor			⇒ 8.0
NitraVis 701/705 IQ NI	Spectral sensor for the measurement of Nitrate and Nitrite		DIQ/S 284 1/4	⇒ 8.0
CarboVis 701/705 IQ (TS/Co)	Spectral sensor for the measurement of COD/TOC/DOC/BOD/SAC/UVT ₂₅₄			⇒ 8.0
NiCaVis 705 IQ (TS/SF/Co)	Spectral sensor for the measurement of Nitrate and COD/TOC/DOC/BOD/SAC/UVT ₂₅₄			⇒ 8.0
NiCaVis 701/705 IQ (NI)SF	Spectral sensor for the measurement of Nitrate, Nitrite and COD/TOC/DOC/BOD/SAC/UVT ₂₅₄			⇒ 8.0
UV 701/705 IQ SAC	Optical sensor for the measurement of SAC and UVT ₂₅₄			⇒ 8.0
UV 701/705 IQ NOx	Optical sensor for the measurement of NOx			⇒ 8.0
ColorVis 705 IQ	Optical sensor for the measurement of Color			⇒ 8.0
IFL 700 IQ	Sludge level sensor with integrated scraper			⇒ 5.5
Alyza IQ PO ₄	Phosphate analyzer			10 ⇒
Alyza IQ NH ₄	Ammonium analyzer			10 ⇒
Output modules analog		with ⊗ number of IQ SENSOR NET terminal connections		
MIQ/CHV PLUS	Module IQ / Cleaning Head Valve for automatically controlled cleaning	②	1/2 and 1/4 respectively	⇒ 2.5
MIQ/CR3	Module IQ / Current Relays 3, with 3 analog outputs and 3 relay outputs	②	1/2	⇒ 3.0
DIQ/CR3	Module IQ / Current Relais 3, with 3 analog outputs and 3 relay outputs	②	1/2	⇒ 3.0***
MIQ/C6	Module IQ / Current 6 with 6 analog outputs	②	1/2	⇒ 3.0
MIQ/R6	Module IQ / Relays 6 with 6 relay outputs	②	1/2	⇒ 1.5
Output modules digital				
MIQ/WL PS SET	Module IQ for wireless connection within the IQ SENSOR NET System	③	1/4	⇒ 0.6
Power input connection module mA				
MIQ/IC2**	Module IQ / Input Current 2 with 2 inputs for 0(4) ... 20 mA signals	②	0/2	⇒ 0.2 *
MIQ/JB	Module IQ / Junction Box	④	0/4	⇒ 0.0 (passive module)
Power supply modules				
MIQ/PS	IQ / power supply module for input power with wide range power supply unit for 100 - 240 VAC input voltage	③	0/1	18 ⇒
MIQ/24V	IQ / 24 V module for input power with 24 VAC or 24 VDC input voltage	③		18 ⇒

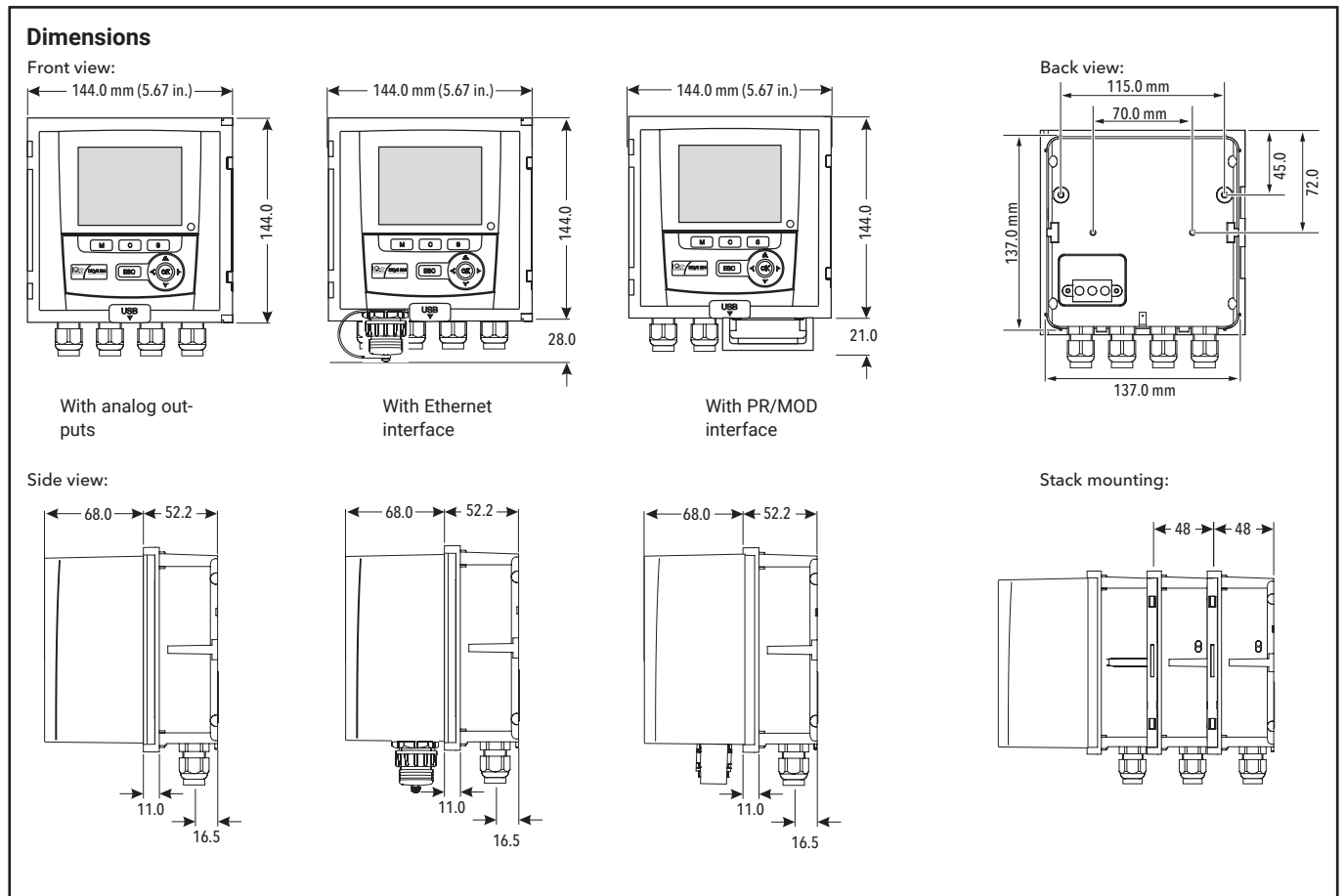
* further power consumption by external devices is possible.

** each occupied current input is counted as IQ sensor

*** When operating with System 282/284, the average power consumption can be used.

Details see operating manual System 282/284.

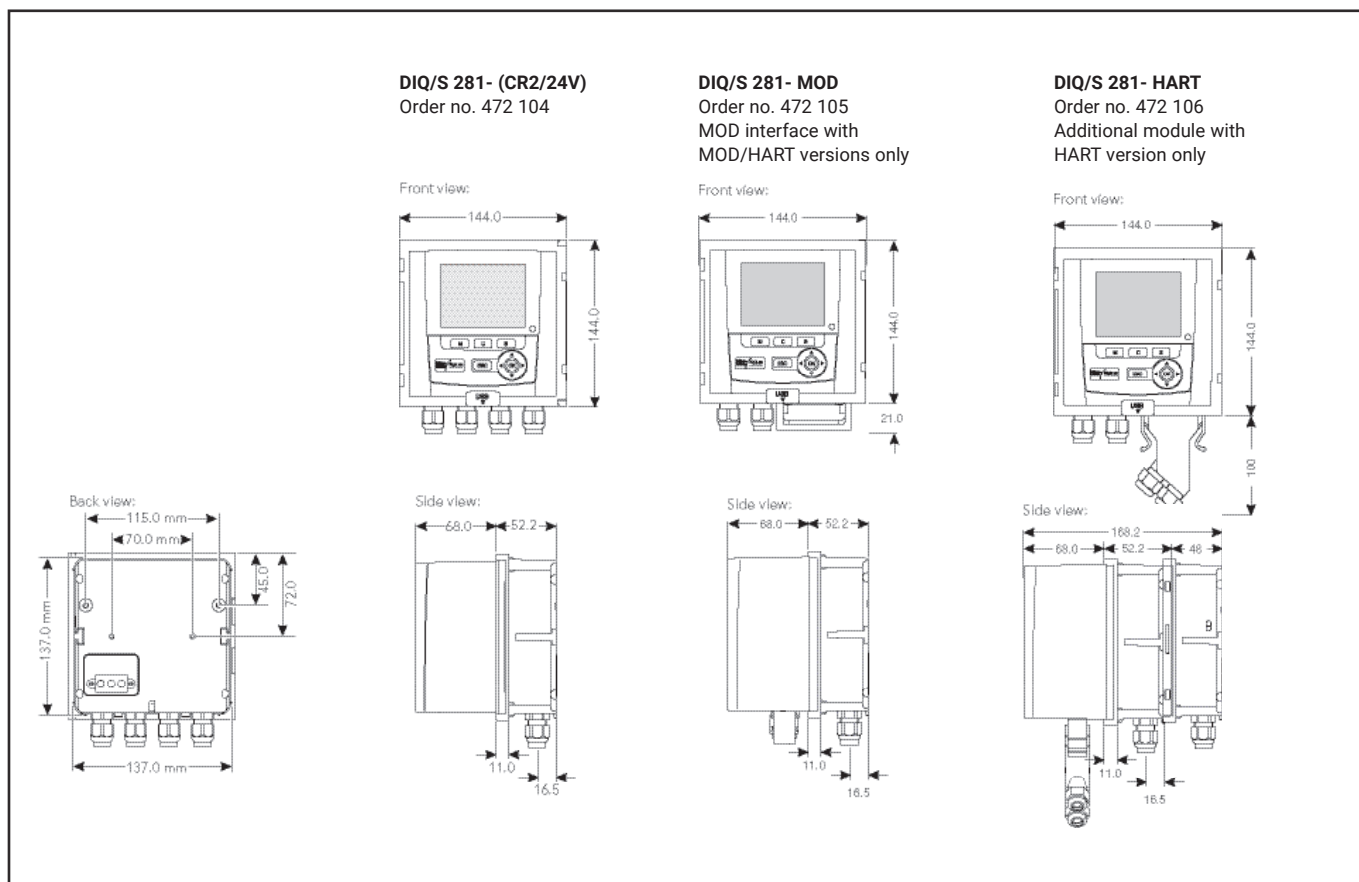
DIQ/S 282/284



Module	DIQ/S 282	DIQ/S 284
Max. number of sensors	2	4
IQ SENSOR NET connections	DIQ/S 282-CR3(-E) (/24V) 1; all others 2	DIQ/S 284-CR6(-E) (/24V) 3; all others 2
Version with analog outputs	3 x (0) 4 ... 20 mA 3 x Relays (optional: Ethernet interface for remote control)	6 x (0) 4 ... 20 mA 6 x Relays (optional: Ethernet interface for remote control)
Ethernet Version	Connection for Ethernet fieldbus 3 x Relays	Connection for Ethernet fieldbus 3 x Relays
PROFIBUS Version	Connection for PROFIBUS 3 x Relays	Connection for PROFIBUS 3 x Relays
MODBUS Version	Connection for MODBUS 3 x Relays	Connection for MODBUS 3 x Relays

IQ SENSOR NET – System 281

Configuration and Performance Data			
Type	Description	Number in System 281	Storage temperature Operating temperature
IQ sensors with fixed cable			
SensoLyt® 700 IQ (SW)	pH/ORP assembly	1	+23 °F ... +149 °F (-5 °C ... +65 °C) +32 °F ... +140 °F (0 °C ... +60 °C)
TriOxmatic® 700 IQ (SW)	D.O. sensor		+23 °F ... +149 °F (-5 °C ... +65 °C) +32 °F ... +140 °F (0 °C ... +60 °C)
FDO® 70X IQ (SW)	Optical D.O. sensor		+14 °F ... +122 °F (-10 °C ... +50 °C) +23 °F ... +122 °F (-5 °C ... +50 °C)
TetraCon® 700 IQ (SW)	Conductivity sensor		+23 °F ... +149 °F (-5 °C ... +65 °C) +32 °F ... +140 °F (-5 °C ... +60 °C)
ViSolid® 700 IQ (SW)	Suspended solids sensor		+23 °F ... +149 °F (-5 °C ... +65 °C) +32 °F ... +140 °F (0 °C ... +60 °C)
VisoTurb® 700 IQ (SW)	Turbidity sensor		+23 °F ... +149 °F (-5 °C ... +65 °C) +32 °F ... +140 °F (0 °C ... +60 °C)
IFL 700 IQ	Sludge level sensor		+23 °F ... +122 °F (-5 °C ... +50 °C) +32 °F ... +122 °F (0 °C ... +50 °C)
Connectable DIQ modules			
DIQ/CHV	Dual IQ/Cleaning Head Valve, for automatic air cleaning	1	⇒ 2.2
DIQ/JB	Dual IQ/Junction Box for cable extension	1	⇒ 3.0



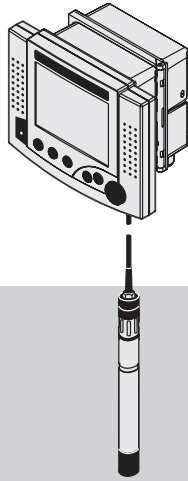
IQ SENSOR NET – System Configurations

Due to the diversity of system versions, only a small selection of representative configurations can be shown here by way of example.

Example 1 System 2020

Configuration Example
MIQ/TC 2020 3G-CR3
SACIQ-7,0
IQ Sensor

Order No.
470 022
480 042
user selected



Starter Set

MIQ/TC 2020 3G-CR3
consisting of:

- MIQ/TC 2020 3G (Terminal/Controller)
- MIQ/CR3 (3 x mA, 3 x relays)
- MIQ/PS (power supply)

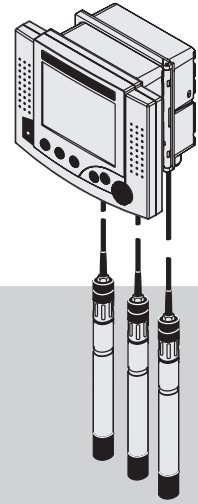
additionally:

- 1 SACIQ (sensor cable)
- 1 IQ sensor

Example 2 System 2020

Configuration Example
MIQ/TC 2020 3G-CR3
SACIQ-7,0
IQ Sensors

Order No.
470 022
480 042
user selected



Starter Set

MIQ/TC 2020 3G-CR3
consisting of:

- MIQ/TC 2020 3G (Terminal/Controller)
- MIQ/CR3 (3 x mA, 3 x Relays)
- MIQ/PS (power supply)

additionally:

- 3 SACIQ (sensor cable)
- 3 IQ sensors

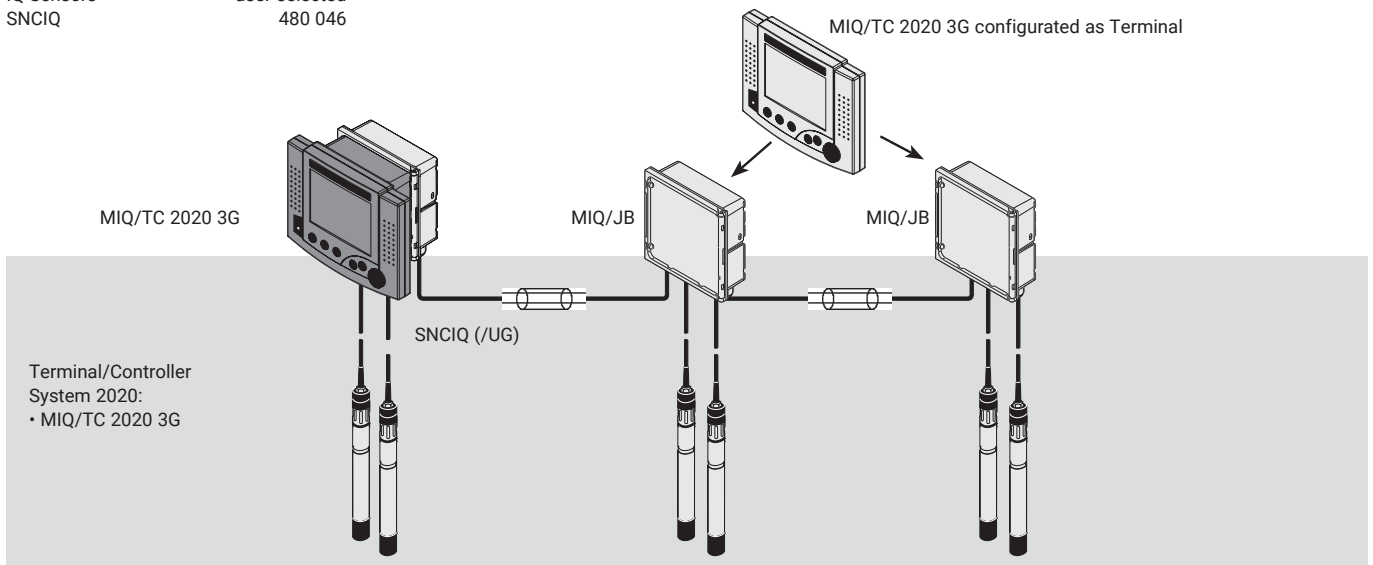
Monitor
with 3 analog outputs and 3 relays, universally employable for all parameters

Multi-parameter monitor
for any 3 parameters, with 3 analog outputs and 3 relays

Example 3 System 2020

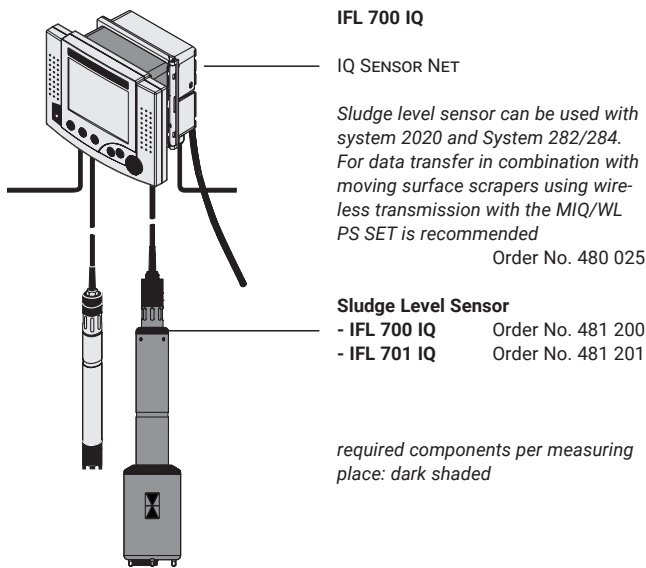
Configuration Example
MIQ/TC 2020 3G
MIQ/PS
MIQ/C6
MIQ/JB
SACIQ-7,0
IQ Sensors
SNCIQ

Order No.
470 020
480 004
480 015
480 008
480 042
user selected
480 046

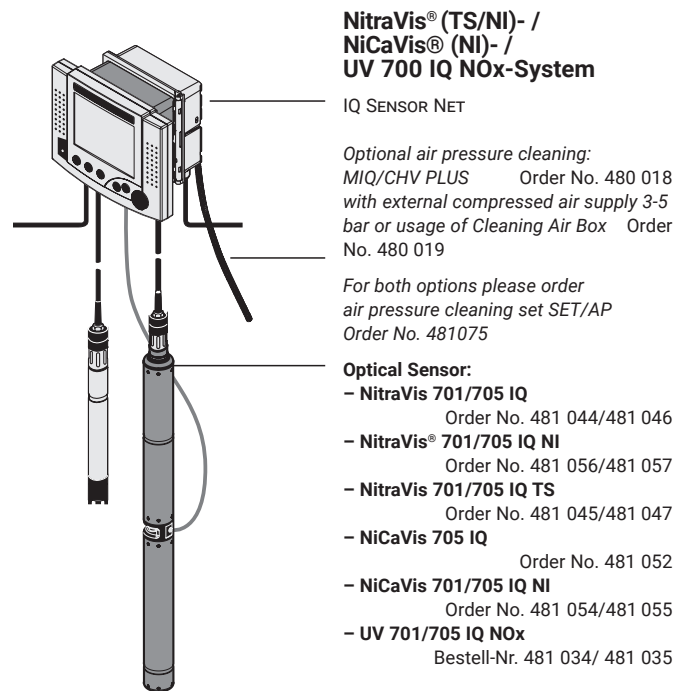


Branched system 2020 for up to any 20 parameters. System with 6 analog outputs; measuring locations 2 and 3 are at a large distance from controller. Extendable by the mobile MIQ/TC 2020 3G terminal that serves as an additional display unit for easy on-site calibration with redundant controller function.

Example 4
System 2020 with sludge level measurement

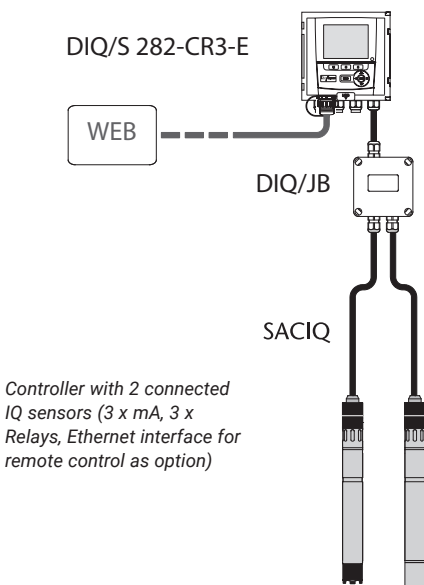


Example 5
NitraVis® (TS/NI) /NiCaVis® (NI) / UV 700 IQ NOx



Example 6
System 282

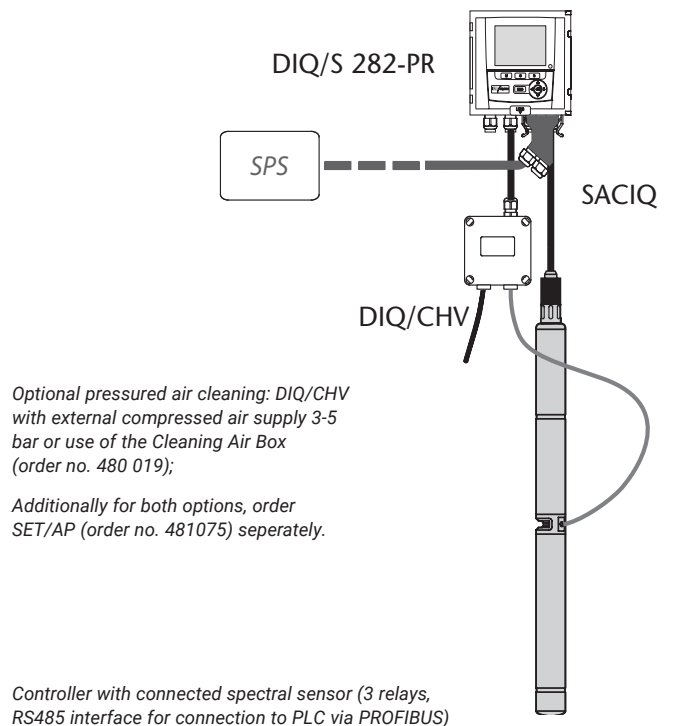
Example with 2 IQ sensors	Order no.
DIQ/S 282-CR3-E	472 113
2 x SACIQ-7,0	480 042
DIQ/JB	472 005
2 x IQ sensors	user selected



Controller is also available with PR- or MOD-interface.

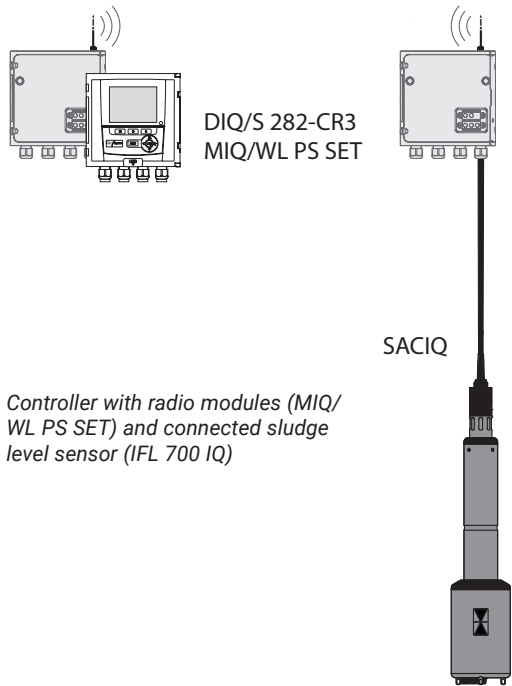
Example 7
System 282/284 with spectral sensor and PROFIBUS

Spectral sensor and PROFIBUS	Order no.
DIQ/S 282-PR	472 111
1 x SACIQ-7,0	480 042
1 x Spectral sensor	user selected



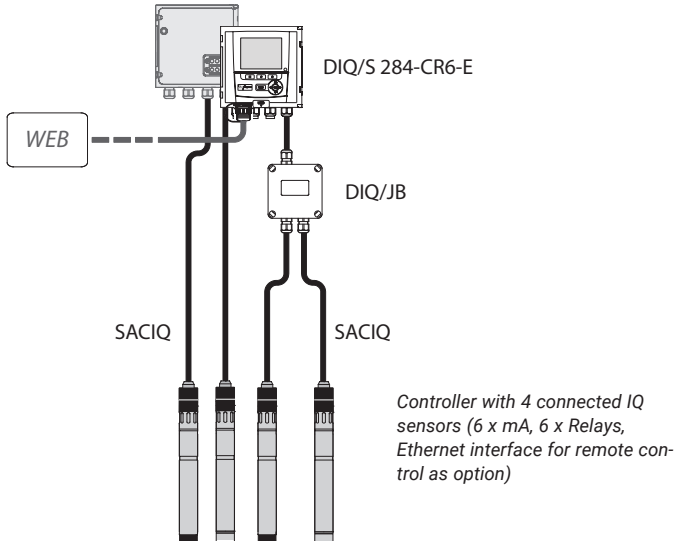
Example 8
System 282/284 with sludge level measurement

System 282/284 with sludge level measurement	
level measurement	Order no.
DIQ/S 282-CR3	472 110
1 x MIQ/WL PS SET	480 025
1 x SACIQ-7,0	472 042
IFL 700 IQ	481 200



Example 9

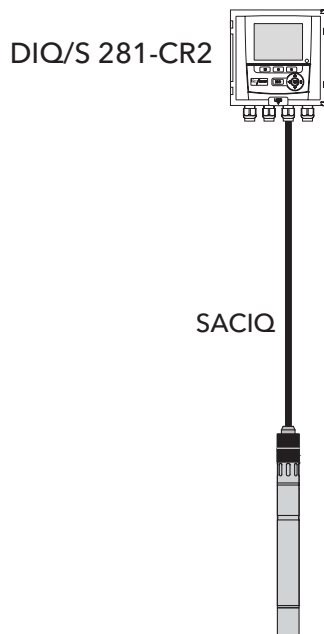
Example with 4 IQ sensors		Order no.
DIQ/S 284-CR6-E		472 133
4 x SACIQ-7,0		480 042
DIQ/JB		472 005
4 x IQ sensors		user selected

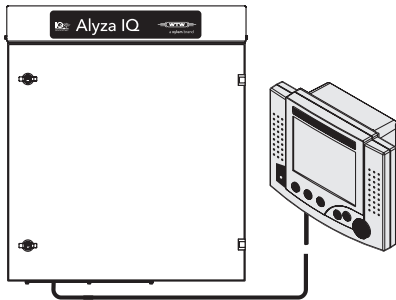


Example 10

Example with 1 IQ Sensor		Order no.
DIQ/S 281-CR2		472103
1x SACIQ-7,0		480042
1x IQ-Sensor	user selected	
	(accepted sensors for standard parameters)	

Controller with 1 connected IQ sensor (2 x mA, 2 x relays)





Example 11 System 2020

Example configuration

Alyza IQ PO₄-112
Orthophosphate analyzer, 2-channel, measuring range 1

MIQ/TC 2020 3G
Controller

MIQ-/JB
Junction Box

SNCIQ
Connection cable, 2 m

Reagents see previous pages

Filtration see previous pages

Order no.

825512

470020

480008

included in scope of delivery

i Alyza IQ provides 10 W to the IQ SENSOR NET

Options

Alyza IQ PO₄-122
Orthophosphate analyzer, 2-channel, measuring range 2

Order no. 825522

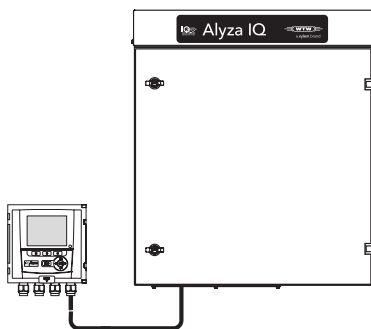
Alyza IQ PO₄-111
Orthophosphate analyzer, 1-channel, measuring range 1

Order no. 825511

Alyza IQ PO₄-121
Orthophosphate analyzer, 1-channel, measuring range 2

Order no. 825521

The analyzers are optionally available without pump unit



Example 12 System 282/284

Example configuration

Alyza IQ PO₄-111
Orthophosphate analyzer, 1-channel, measuring range 1

DIQ/S 282-CR3
Controller

SNCIQ
Connection cable, 2 m

Reagents see previous pages

Filtration see previous pages

Order no.

825511

472130

included in scope of delivery

i Alyza IQ provides 10 W to the IQ SENSOR NET

Optionen

Alyza IQ PO₄-121
Orthophosphate analyzer, 1-channel, measuring range 2

Order no. 825521

Alyza IQ PO₄-112
Orthophosphate analyzer, 2-channel, measuring range 1

Order no. 825512

Alyza IQ PO₄-122
Orthophosphate analyzer, 2-channel, measuring range 2

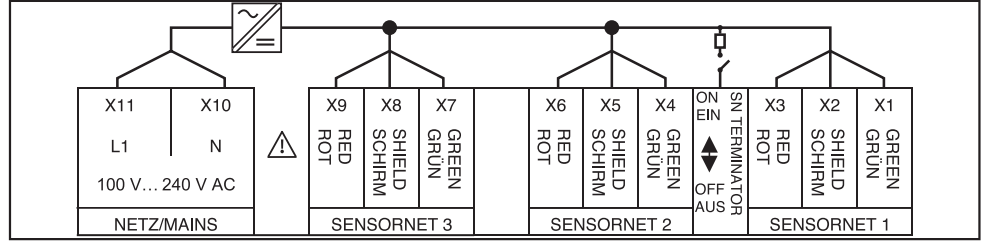
Order no. 825522

The analyzers are optionally available without pump unit

IQ SENSOR NET – Electrical connections

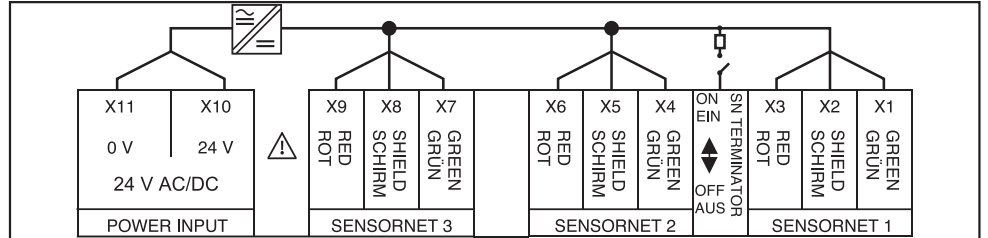
MIQ/PS

Order No. 480 004



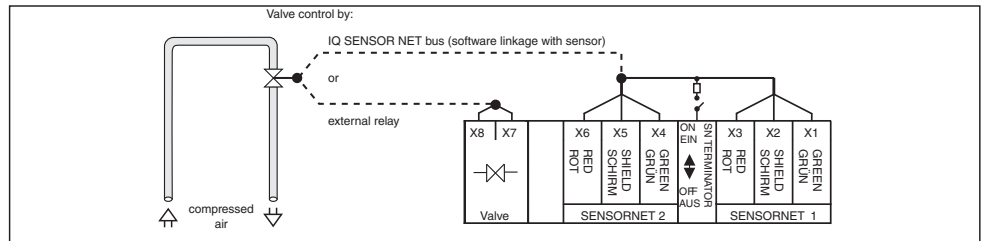
MIQ/24V

Order No. 480 006



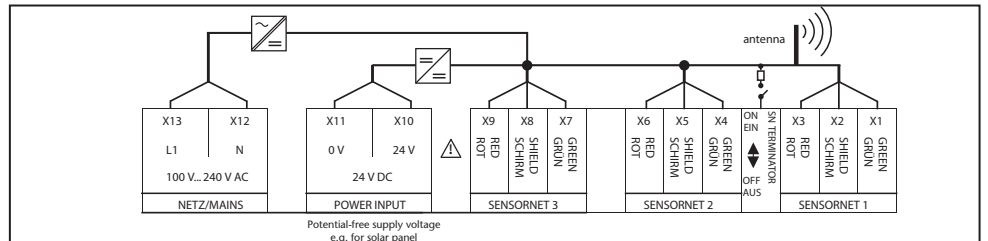
MIQ/CHV PLUS

Order No. 480 018



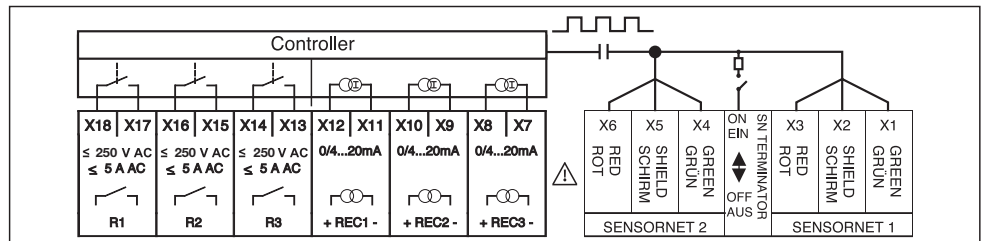
MIQ/WL PS SET

Order No. SET 480 025



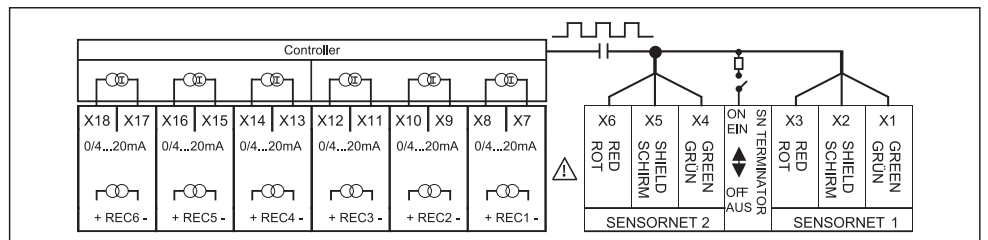
MIQ/CR3

Order No. 480 014



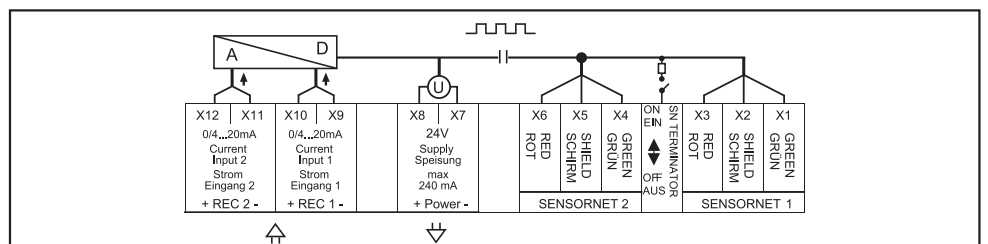
MIQ/C6

Order No. 480 015



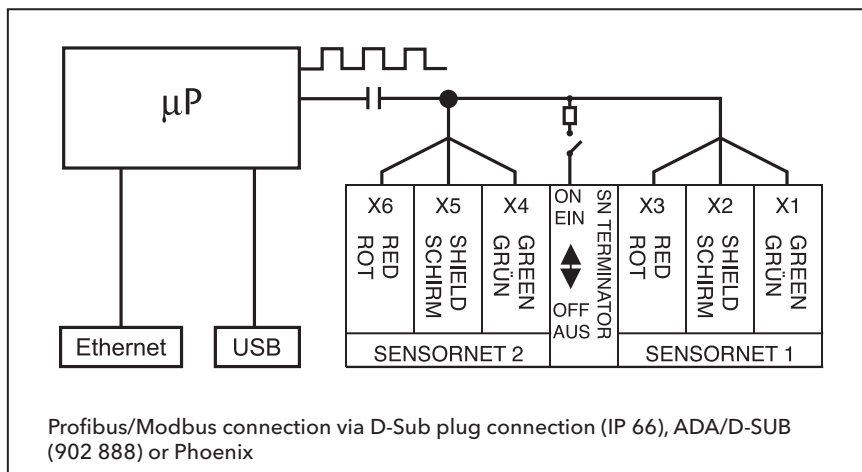
MIQ/IC2

Order No. 480 016



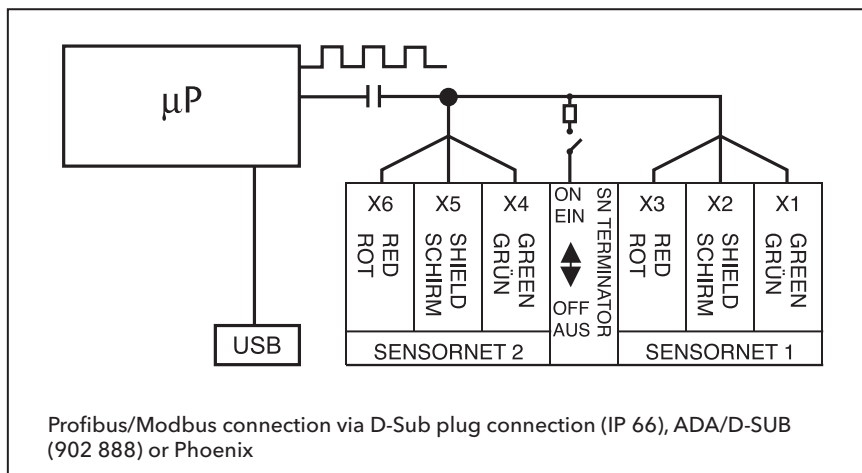
MIQ/MC3, MIQ/MC3-PR and MIQ/MC3-MOD

MIQ/MC3 Order No. 471 020
 MIQ/MC3-MOD Order No. 471 022
 MIQ/MC3-PR Order No. 471 023



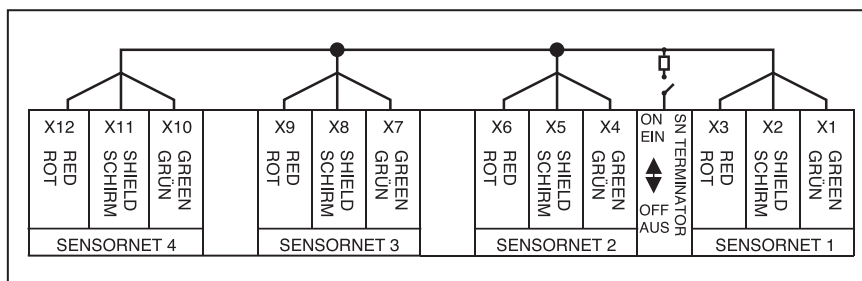
MIQ/3-PR and MIQ/3-MOD

MIQ/3-MOD Order No. 471 026
 MIQ/3-PR Order No. 471 027



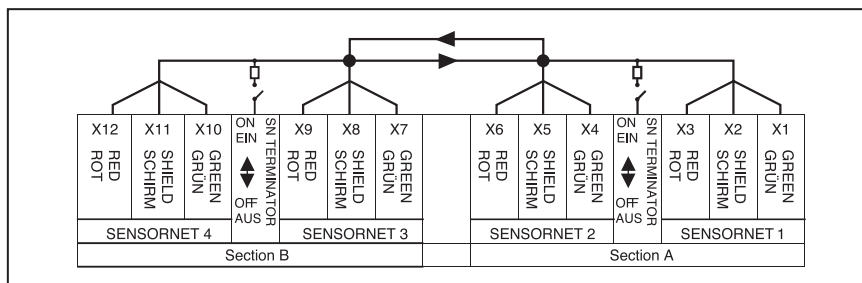
MIQ/JB

Order No. 480 008



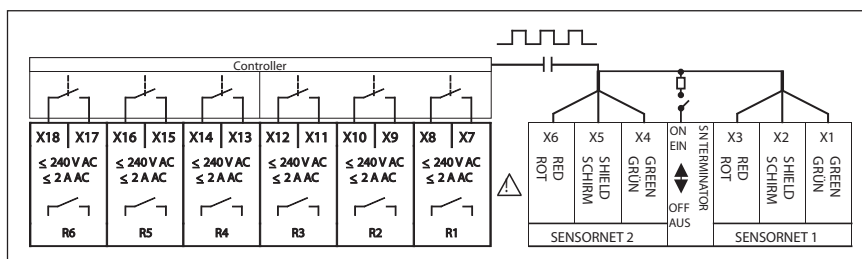
MIQ/JBR

Order No. 480 010



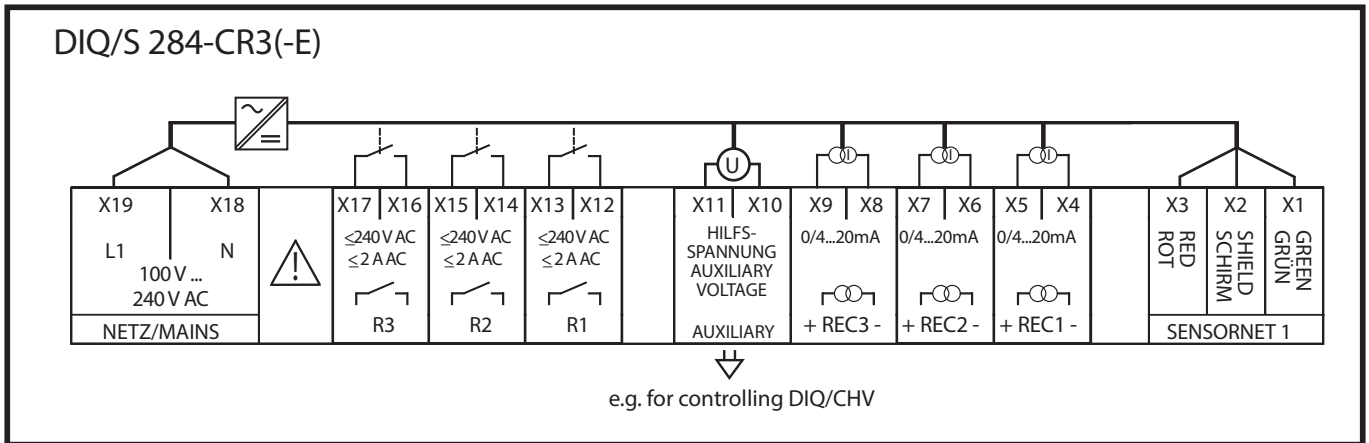
MIQ/R6

Order No. 480 013



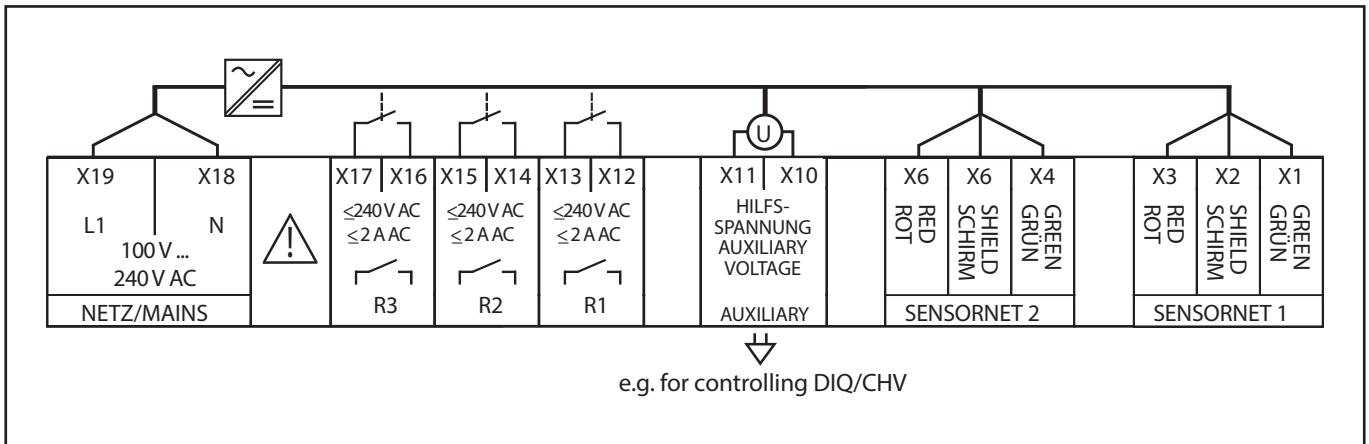
DIQ/S 282-CR3
DIQ/S 282-CR3-E

Order No. 472 110
Order No. 472 113



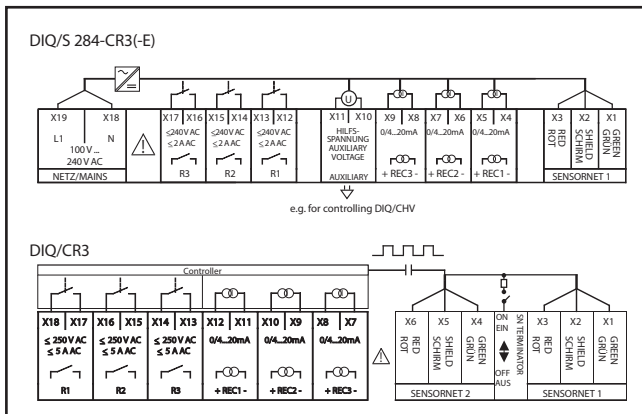
DIQ/S 282-PR
DIQ/S 282-MOD
DIQ/S 282-EF
DIQ/S 284-PR
DIQ/S 284-MOD
DIQ/S 284-EF

Order No. 472 111
Order No. 472 112
Order No. 472 114
Order No. 472 131
Order No. 472 132
Order No. 472 134



DIQ/S 284-CR6
DIQ/S 284-CR6-E

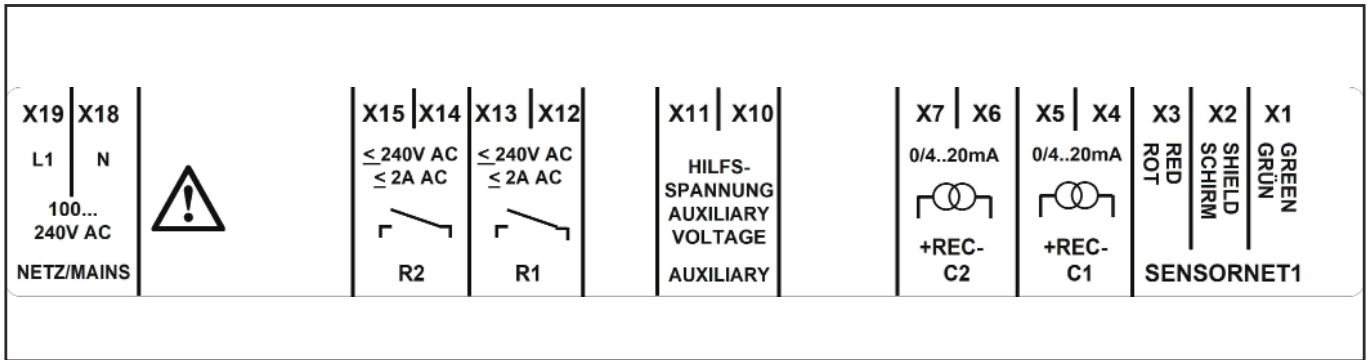
Order No. 472 130
Order No. 472 133



24V versions are identical, except connections X18 and X19

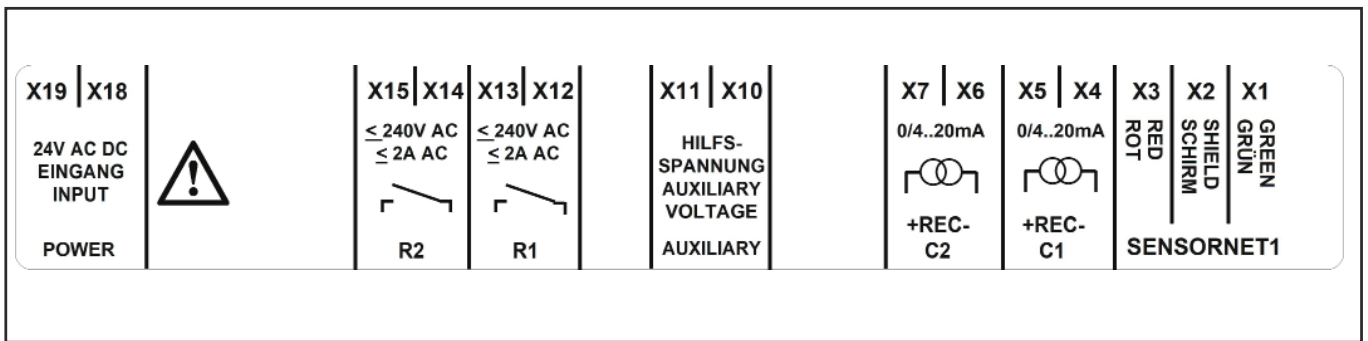
DIQ/S 281-CR2

Order no. 472 103



DIQ/S 281-CR2/24V

Order no. 472 104

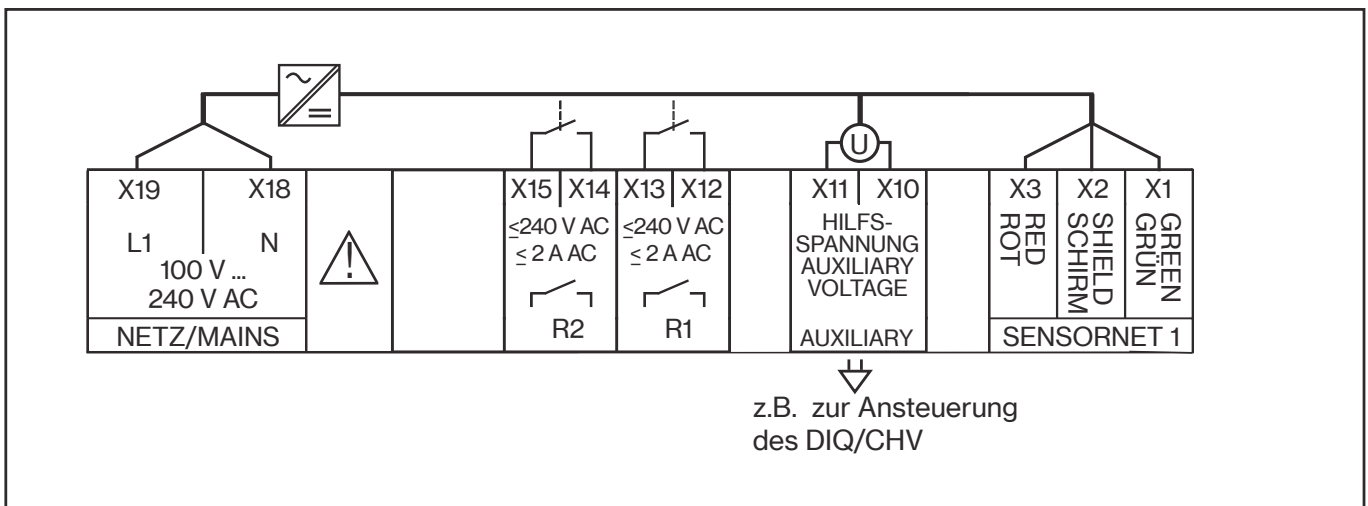


DIQ/S 281-MOD

Order no. 472 105

DIQ/S 281-HART

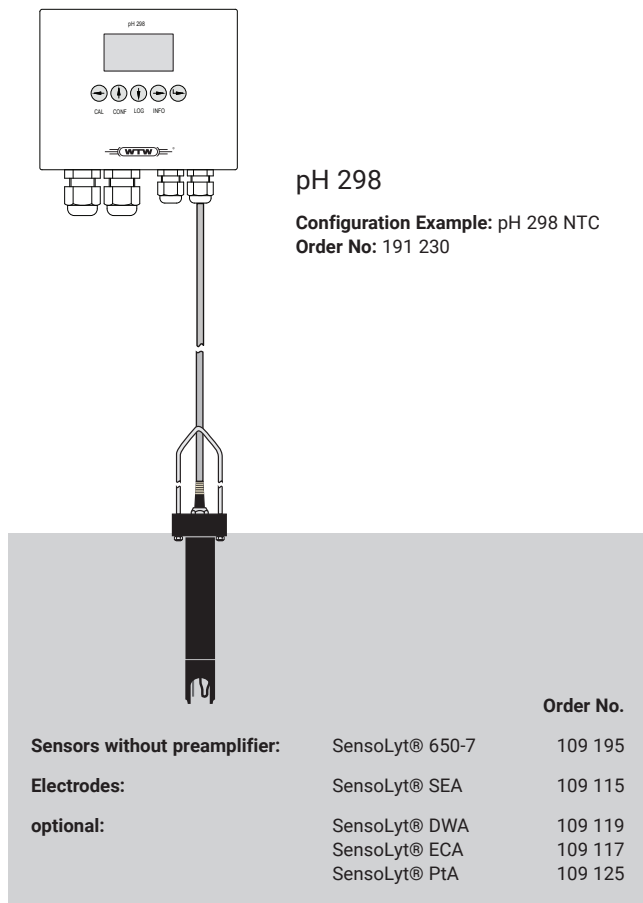
Order no. 472 106



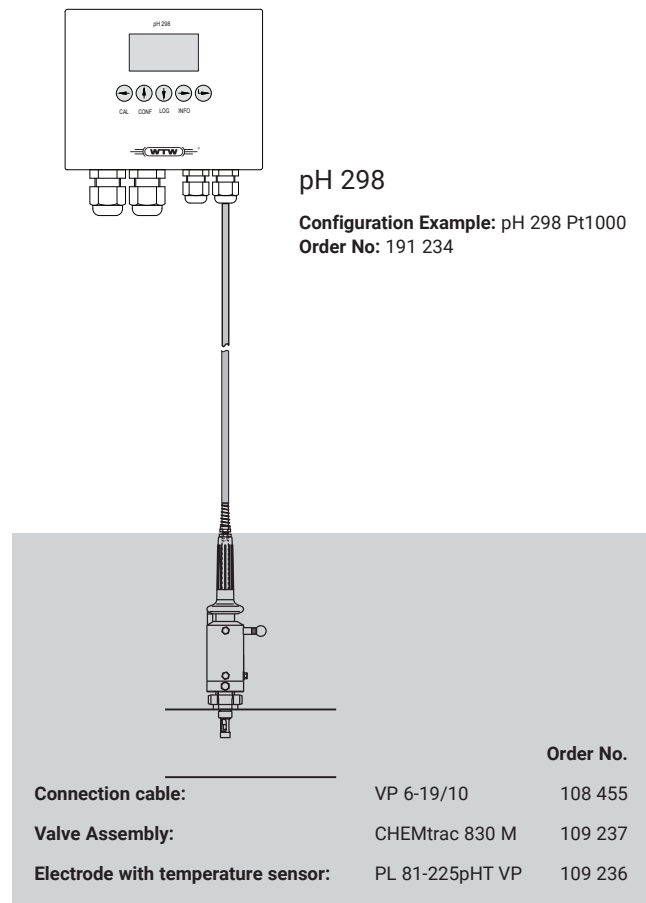
Analog measurement

Configuration Guide		
		pH 298 Field Monitor
SensoLyt® 650 Sensor Assembly w/o preamplifier, high-impedance output, integrated temp. measurement, 32 ... 140 °F (0 ... 60 °C)	Compatible electrodes: SEA: 2 ... 12 pH SEA-HP: 4 ... 12 pH DWA: 0 ... 14 pH ECA: 2 ... 12 pH PtA: ±1000 mV 32 ... 140 °F (0 ... 60 °C)	<ul style="list-style-type: none"> • Low-cost configuration • High impedance signal transmission • pH measurement in highly polluted wastewater (municipal/industrial) Type SEA • pH measurement in normally polluted wastewater (municipal/industrial) Type ECA • pH measurement in drinking water (DWA) • ORP measurement in highly polluted wastewater (municipal/industrial) Type PtA • Inline installation (SEA or SEA-HP)
CHEMtrac 830 M pH/ORP retractable housing with flushing chamber for maintenance and calibration, stainless steel 1.4404/316L, operating conditions: 16 bar (at max. 120 °C) / 140 °C (at max. 10 bar)	Compatible electrodes: PL 80-225pH 0 ... 14 pH, 32 ... 266 °F (0 ... 130 °C) PL 81-225pHT VP 0 ... 14 pH, 32 ... 266 °F (0 ... 130 °C) PL 82-225pHT VP 0 ... 14 pH, 32 ... 266 °F (0 ... 130 °C) PL 89-225pt ±2000 mV, 32 ... 266 °F (0 ... 130 °C)	<ul style="list-style-type: none"> • High-impedance signal transmission • In-line pH measurement in process lines or pressure vessels • Increased pressure and temperature requirements 16 bar (bei max. 120 °C) / 140 °C (at max. 10 bar) • Built-in temperature measurement with PL 81-225pHT VP or PL 82-225pHT VP

High-impedance signal transmission
(max. cable length 7 m / 23 ft)



High-impedance signal transmission
(max. cable length 10 m / 33 ft)



Configuration Guide

		Oxi 298
	1. Measuring range 2. Response time t_{90} 3. SensCheck Function	Field monitor
TriOxmatic® 690 D.O. sensor for water/wastewater	1.: 0.0 ... 60,0 mg/l 0 ... 600% 2.: < 180 s 3.: –	<ul style="list-style-type: none"> • Low-cost system without sensor diagnostic • Water/wastewater • Oxygenation
TriOxmatic® 701 D.O. sensor for water/wastewater	1.: 0.00 ... 20.00 mg/l 0.0 ... 60.0 mg/l 0.0 ... 200.0% 0 ... 600% 2.: < 30 s 3.: SensLeck SensReg	<ul style="list-style-type: none"> • Water/wastewater • Oxygenation • Residual D.O.

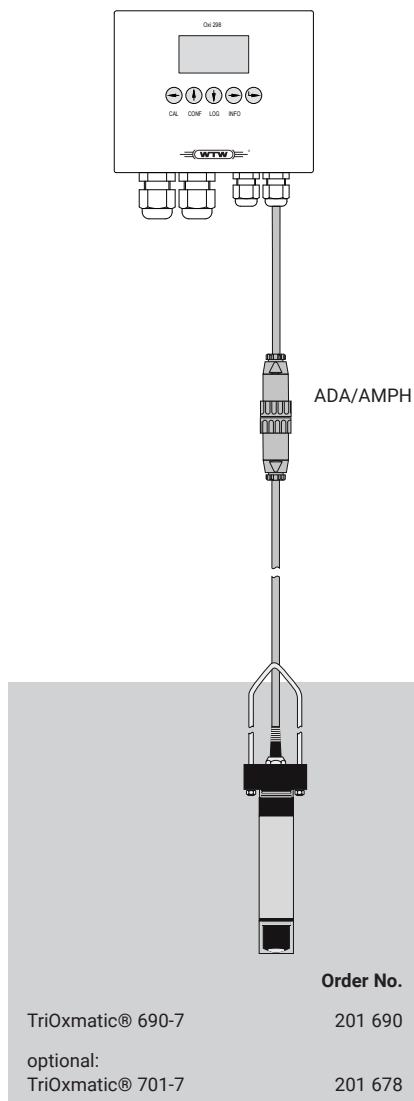
Oxi 298

Configuration Example

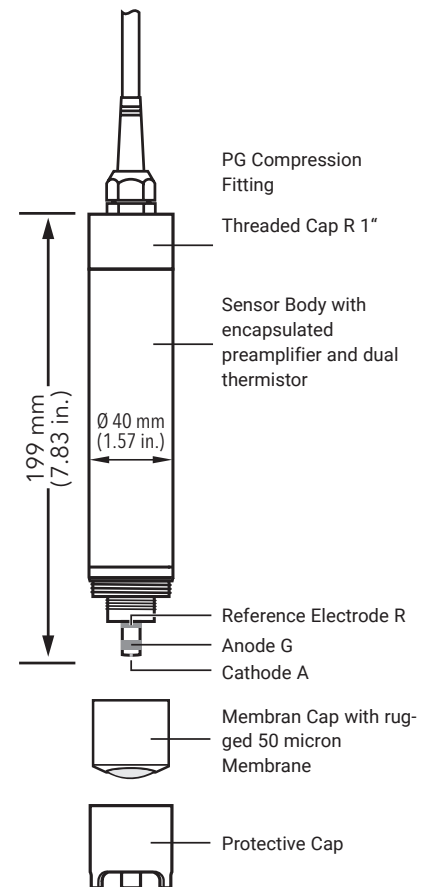
Oxi 298 NTC
 ADA/AMPH

Order No.

291 230
 108 592



TriOxmatic®

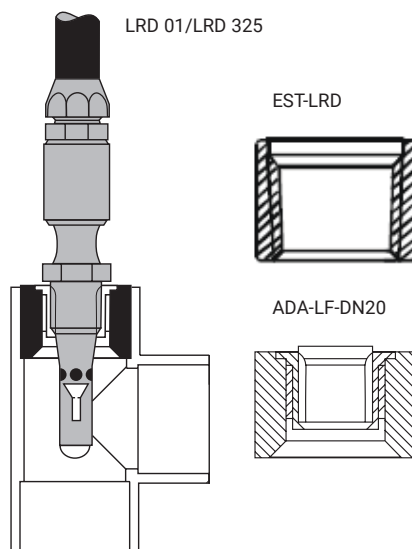


Configuration Guide Analog Conductivity Measurement

	1. Measuring range 2. Cell constant 3. Probe type 4. Temperature compensation 5. Temperature range 6. Pressure range 7. Protection rating	LF 298 Field Monitor
LRD 01	1.: 0,01 ... 200 µS/cm 2.: K=0.1 cm ⁻¹ 3.: 2-electrode cell 4.: NTC 5.: 32 ... 266 °F (0 ... 130 °C) 6.: 14 bar (68 °F/20 °C) 7.: IP 68 (electrode)	Boiler Feed Water/Ion Exchanger; In-Line Measurements/ Pipework Mounting 1/2" NPT Thread Usable Measuring Range: 0.00 ... 19.99 µS/cm 0.0 ... 199.9 µS/cm
LRD 325	1.: 1 µS/cm ... 2 S/cm 2.: K=0.475 cm ⁻¹ 3.: 4-electrode cell 4.: NTC 5.: 32 ... 212 °F (0 ... 100 °C) 6.: 10 bar 7.: IP 68 (electrode)	Large Usable Measuring Range; In-Line Measurements/ Pipework Mounting 1/2" (3/4" Adapter) NPT Thread 0.0 ... 199,0 µS/cm 0 ... 1999 µS/cm 0.00 ... 19.99 mS/cm 0.0 ... 199.9 mS/cm (MR: 0.0 ... 199,9 mS/cm to 110.0 mS/cm at 122 °F/50 °C)
LR 325/01	1.: 0.001 ... 300 µS/cm 2.: K=0.1 cm ⁻¹ 3.: 2-electrode cell 4.: NTC 5.: 32 ... 212 °F (0 ... 100 °C) 6.: 2 bar 7.: IP 68 (electrode)	Boiler Feed Water/Ion Exchanger; Conductivity Cell with Flow-through Chamber; Usable Measuring Range: 0,00 ... 19.99 µS/cm 0,0 ... 199.9 µS/cm 0.000 ... 0.200 mS/cm
LR 325/001	1.: 0.0001 ... 30 µS/cm 2.: K=0.01 cm ⁻¹ 3.: 2-electrode cell 4.: NTC 5.: 32 ... 212 °F (0 ... 100 °C) 6.: 2 bar 7.: IP 68 (electrode)	Boiler Feed Water/Ion Exchanger; Conductivity Cell with Flow-through Chamber, Trace Measurements Usable Measuring Range: 0.000 ... 1.999 µS/cm 0.00 ... 19.99 µS/cm
TetraCon® 325	1.: 1 µS/cm ... 2 S/cm 2.: K=0.475 cm ⁻¹ 3.: 4-electrode cell 4.: NTC 5.: 32 ... 212 °F (0 ... 100 °C) 6.: 2 bar 7.: IP 68 (electrode)	General Application/Water; Large Measuring Range 0.00 ... 19.99 µS/cm 0.0 ... 199.9 µS/cm 0.000 ... 1.999 mS/cm 0.00 ... 19.99 mS/cm 0.0 ... 199.9 mS/cm (32 ... 77 °F/0 ... 25 °C)
TetraCon® DU/T	1.: 1 µS/cm ... 2 S/cm 2.: K=0.778 cm ⁻¹ 3.: 4-electrode cell 4.: NTC 5.: 32 ... 140 °F (0 ... 60 °C) 6.: 2 bar 7.: IP 68 (electrode)	General Application/Water; Large Measuring Range 0.00 ... 19.99 µS/cm 0.0 ... 199.9 µS/cm 0.000 ... 1.999 mS/cm 0.00 ... 19.99 mS/cm 0.0 ... 199.9 mS/cm (32 ... 77 °F/0 ... 25 °C)

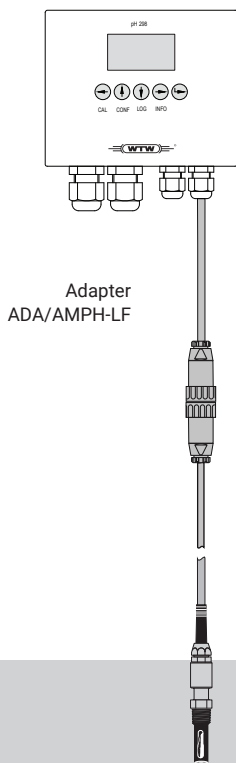
Installation components for LRD 01/LRD 325 Conductivity cells and TFK 325-EST Temperature sensor

For the installation of conductivity electrodes, different adapters are available.
Examples are the ADA-LF-DN20 (PVC) or the EST-LRD (1.4571).



LF 298

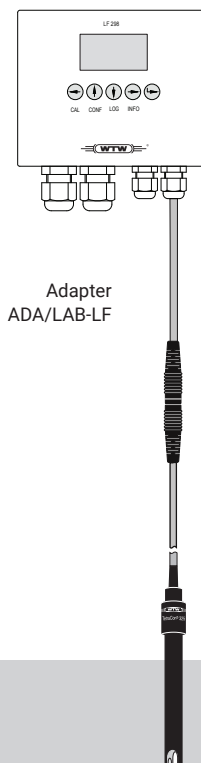
Configuration Example	Order No.
LF 298 NTC	391 230
ADA/AMPH-LF	303 215



Order No.

LRD 01-7	302 222
LRD 325-7	302 229

Configuration Example	Order No.
LF 298 NTC	391 230
ADA/LAB-LF	303 216



Order No.

LR 325/01	301 961
<i>optional:</i>	
LR 325/001	301 962
TetraCon® 325	301 960

Configuration Guide Analog Chlorine Sensors

	<ol style="list-style-type: none"> 1. Measuring range 2. Measuring principle 3. Temperature compensation 4. Temperature range 5. Pressure range 	CI 298
FCML 412 N FCML 68 TCML N	<ol style="list-style-type: none"> 1. 0.01 ... 2.00 mg/l Cl₂ 2. Amperometric 3. Pt 1000 4. 32 ... 113 °F (0 ... 45 °C) 5. 0.5 bar overpressure (FCML 68: 1 bar) 	Drinking water

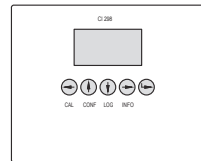
CL 298

Configuration Example

CI 298 Pt1000
AK-CI 298

Order No.

801 254
108 153



AK-CI 298



Order No.

FCML 412 N

201 187

optional:

FCML 68

201 195

TCML N

201 192



Detailed technical data can be found in the brochure "Data sheets process instrumentation" (999266US); also available on our homepage [www.xylemanalytics.com/en/under Customer Support/Downloads/Datasheets](http://www.xylemanalytics.com/en/under/Custom%20Support/Downloads/Datasheets).

Process Electrodes

Classification of Process Electrodes		
PL		ProcessLine electrode with H glass
SL		StreamLine electrode
PL-A		ProcessLine electrode with A glass
80		PL: 2 hole junction; SL: ceramic diaphragm; both: without Temp.
81		PL: 2 hole junction; SL: ceramic diaphragm; both: with Pt1000
82		PL: 2 hole junction; SL: ceramic diaphragm; both: with Pt100
90		PTFE diaphragm, without Temp.
91		PTFE diaphragm, with Pt1000
120		length 120 mm
225		length 225 mm
pH		pH
pHT		pH + Temp.
-		S8 screw plug head
VP		VP screw plug head

Technical Data CHEMtrac 830 M Retractable Housing	
Description	Manual retractable housing, stainless steel (1.4404/316L), for all kind of Ø0.47"/8.86" (Ø12/225 mm) sensors w/ PG13.5 thread
Max. pressure	16 bar (at max. 120 °C)
Max. allowed temperature	140 °C (at max. 10 bar)
Flushing chamber connection	G 1/8"
Guaranty	1 year for defects of quality
Process connection thread	Ingold DN 25

Application of process pH electrodes		
Electrode	Application	Description
SensoLyt®	SEA/SE	heavily loaded municipal wastewater
	TFA	non typical or industrial municipal wastewater
	SEA-HP	increased pressure and temperature conditions
	ECA/EC	normally loaded municipal wastewater
	DWA/DW	Drinking Water
StreamLine	SLxx-xxx	<ul style="list-style-type: none"> - Process chemistry - Fermenter - Pharamceuticals - Biotechnology - Food and beverage production
ProcessLine	PL8x-xxx and PL9x-xxx	<ul style="list-style-type: none"> - Process wastewater - Higher temperatures - Chemical industry (extreme ion strength, strongly oxidizing, acidic and alkaline media) - Media containing solvents - Breweries - Waste incinerators - Paper industry - Power plants - Plastic chemistry
		The electrodes of the SensoLyt® series can be used in municipal wastewater as well as in drinking water. There are electrodes specially optimized for measurement in wastewater for different degrees of contamination. The armored versions are designed for installation in the SensoLyt® armature of the IQ SENSOR NET.
		The low maintenance StreamLine electrodes are designed to be used in a SIP treatment (sterilization in place) and a CIP cleaning (clean in place), which uses hot concentrated caustic soda. Due to the integrated pressurization, no electrolyte must be added. This ensures a reliable and reproducible measurement and that fouling of the reference system is mostly avoided. Therefore, lifetime is significantly better.
		The special design brings ProcessLine electrodes very close to the optimum of liquid electrolyte electrodes in terms of accuracy, stability, speed and durability. Refilling of the electrolyte is not necessary, resulting in lower maintenance requirements. The electrodes are differentiated into hole and PTFE annular junctions. Those of the PL8x series have two open connections in direct contact with the measured medium, while the PL9x series are equipped with a PTFE junction. Both models minimize the risk for contamination/blocking of the junction, the main source for measuring errors, as well as the failure of the electrode. In the case of strongly fluctuating temperatures of the medium, a PTFE diaphragm is often more suitable, since with a perforated diaphragm the electrolyte is „pumped out“. Otherwise, the decision in favor of a perforated or PTFE diaphragm depends primarily on previous experience with comparable products.

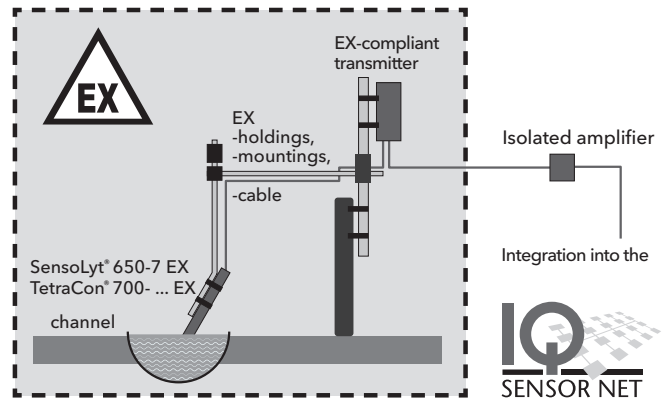
ATEX – pH and Cond in hazardous areas

For measurements of pH and conductivity in hazardous areas (EX-zone), WTW now offers complete single point measurement systems – composed of sensors, transmitters, isolated amplifiers, accessories and certificates for zone 1 IIB and IIC T6, respectively.

The components can be operated as a single point measurement system or can be integrated into the IQ SENSOR NET via the MIQ module MIQ/IC2. The power supply is ensured via the isolated amplifier, which, for its part, is provided separately or directly from the IQ SENSOR NET.

Configuration Examples

Configuration examples		
Parameter	pH	Conductivity
Measuring device	SensoLyt® 650-7 EX armature SensoLyt® ... EX electrode	TetraCon® 700-... EX
Transmitter	StratosProA201xpH-0 or StratosProA201xpH-1	StratosProA201xCond-0 or StratosProA201xCond-1
Isolated amplifier	WG21A7 or WG21A7Opt.336 or WG21A7Opt.470 or WG21A7Opt.336,470	WG21A7 or WG21A7Opt.336 or WG21A7Opt.470 or WG21A7Opt.336,470
Accessories	EX-compliant accessories	

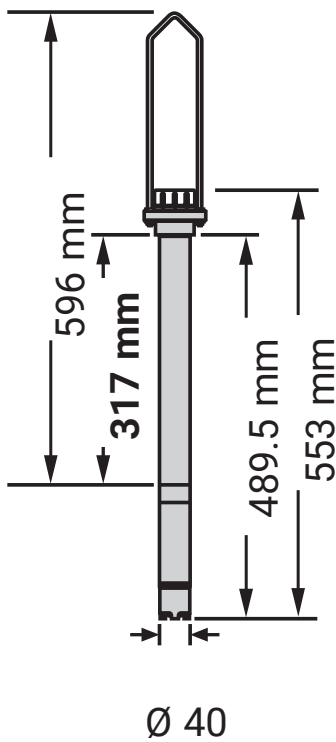


Accessories

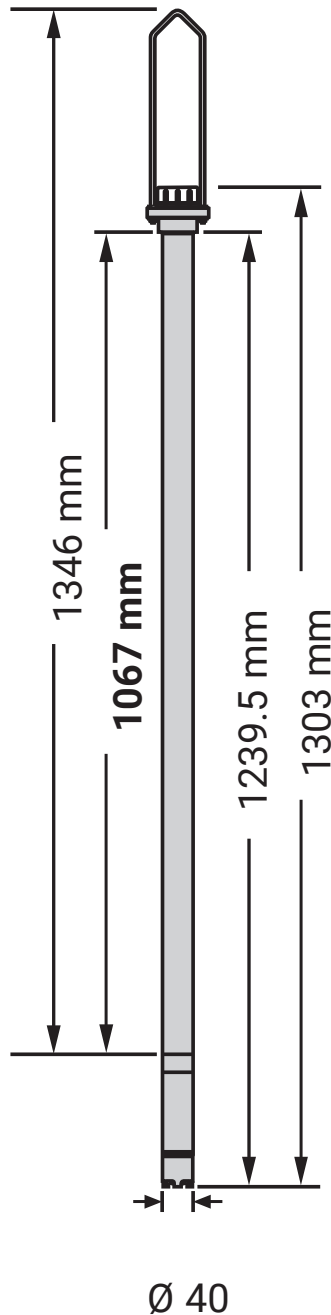
Sensor Extensions

Sensors not included with assemblies.

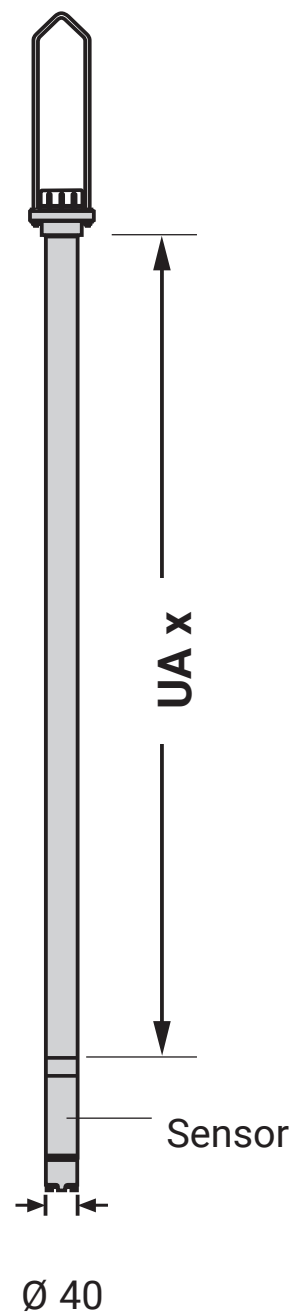
UA 55
 Order No. 109 260
 Equipped with oxygen sensor TriOxmatic® 700



UA 130
 Order No. 109 261
 Equipped with oxygen sensor TriOxmatic® 700



UA-SO
 Order No. 109 263V**
 Equipped with oxygen sensor TriOxmatic® 700

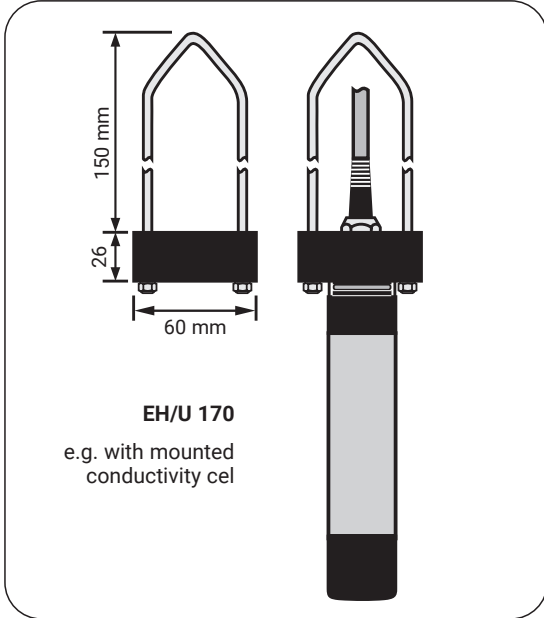


Sensor Holders

EH/U 170

Single sensor holder
Material: POM and stainless steel (1.4571)

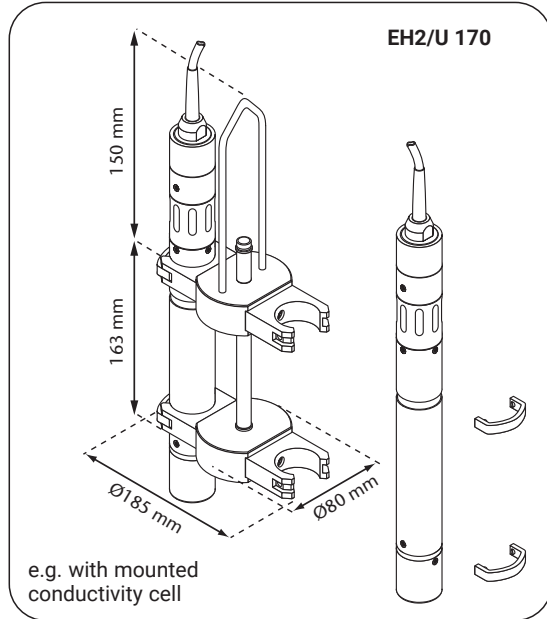
Order No. 109 320



EH2/U 170

Twin sensor holder
Material: POM and stainless steel (1.4571)

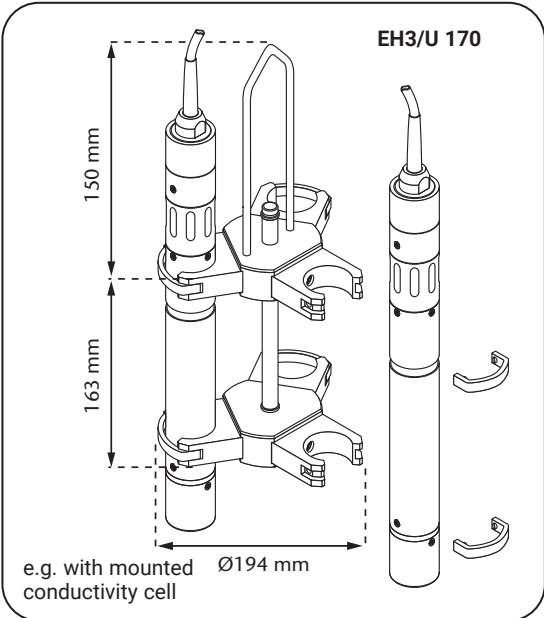
Order No. 109 323



EH3/U 170

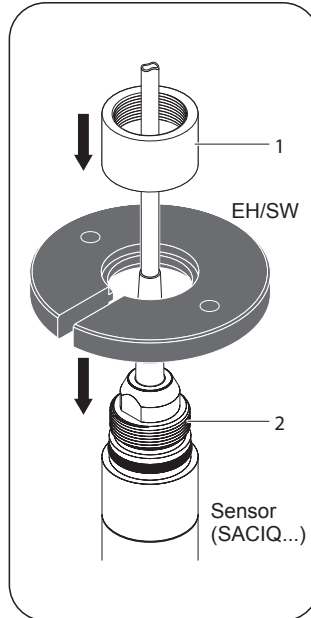
Triple sensor holder
Material: POM and stainless steel (1.4571)

Order No. 109 325



EH/SW

Order No. 109 317



EH2/U 170, equipped with pH- and oxygen sensor



Fixtures

BE/R 170

Order No.: 109 278

With the BE/R 170 clamp set, a swing or pendulum mounting assembly can be fixed directly to a pipe; e.g. a handrail.

Material	Stainless steel 1.4301/diecast Al/POM
-----------------	---------------------------------------

BE/R 170-D

Order No.: 109 279

The swivel/pivot clamp fixture provides secure connection of a swing or pendulum mounting assembly to a horizontal pipe rail.

Material	Stainless steel 1.4301/diecast aluminum
-----------------	---

MR/SD 170

Order No.: 109 286

Mounting kit for sun shields, suitable for horizontal or vertical pipe rails with diameters of 0.98 to 2.36 in. (25 - 60 mm). Sun shield not included.

Material	Stainless steel 1.4301
-----------------	------------------------

BE/M 170

Order No.: 109 276

With the BE/M 170, a swing or pendulum mounting assembly can be inexpensively installed directly at the basin edge or on top of a wall. It consists of a flange clamp with a clamping lever and a bolt-on base plate.

Material	Stainless steel 1.4301/diecast Al/POM
-----------------	---------------------------------------

Sun Shields

SD/K 170

Order No.: 109 284

Sun shield for mounting a junction box or an IQ SENSOR NET module in the open air. Mounting kit MR/SD 170 is additionally required for attachment to vertical or horizontal pipes.

Dimensions	5.59 x 9.06 x 3.43 in. (142 x 230 x 87 mm) (H x W x D)
Material	Stainless steel, 1.4301

SSH/IQ

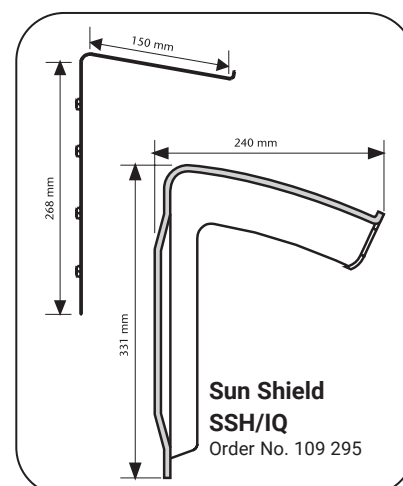
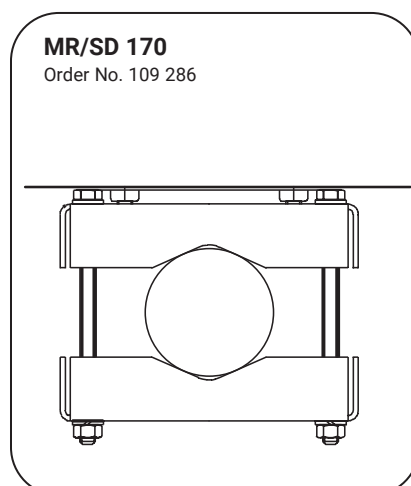
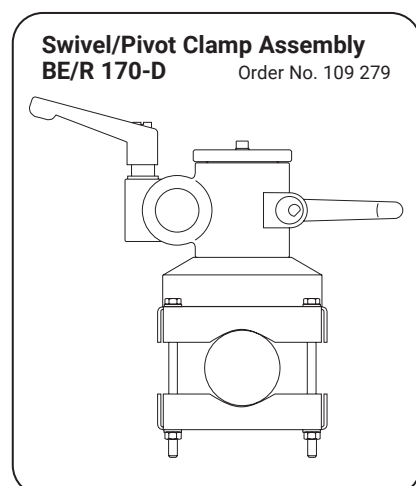
Order No.: 109 295

Sunshield for mounting series 171, 170 and IQ SENSOR NET monitors on a Vario Mounting Stand.

Dimensions	13.03 x 13.54 x 9.45 in. (331 x 344 x 240 mm) (H x W x D)
Material	ASA (Dust gray color)



IQ SENSOR NET under sun shield SSH/IQ

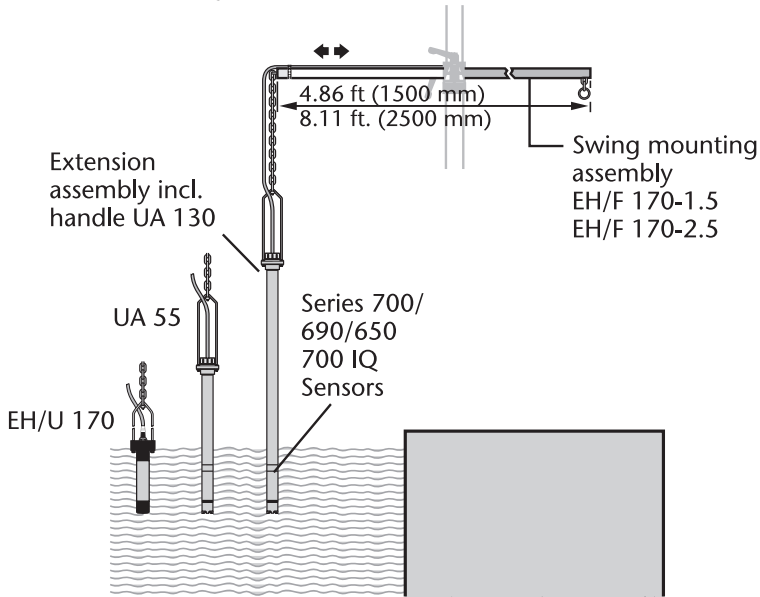


Mounting Hardware Installation Flexibility

Measurements in Basins

Recommended sensor holding device:

Swing mounting assembly

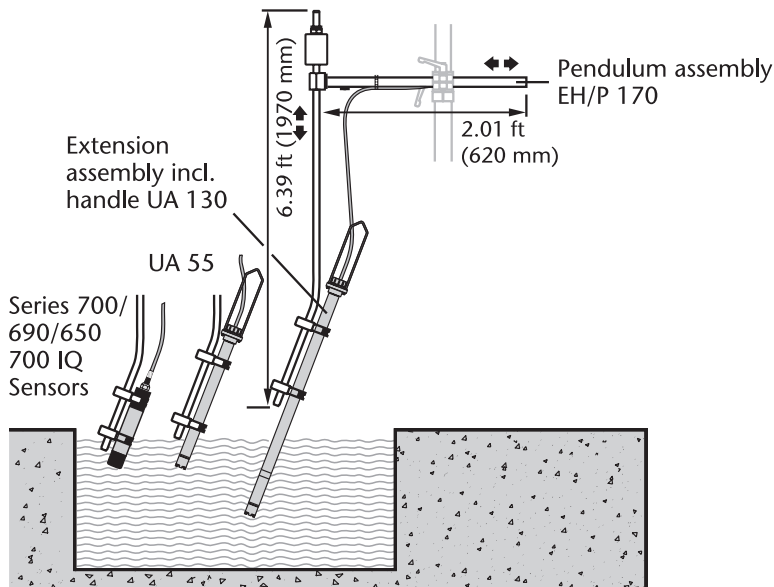


The WTW mounting hardware constitutes a flexible mechanical system in which the individual components are optimally matched. With the selection and combination of various sensor holders, mounting stands and fastening elements, tailor made solutions can be established for the appropriate configuration of the measuring stations; as the diagrams show.

Measurements in Open Channels

Recommended sensor holding device:

Pendulum assembly

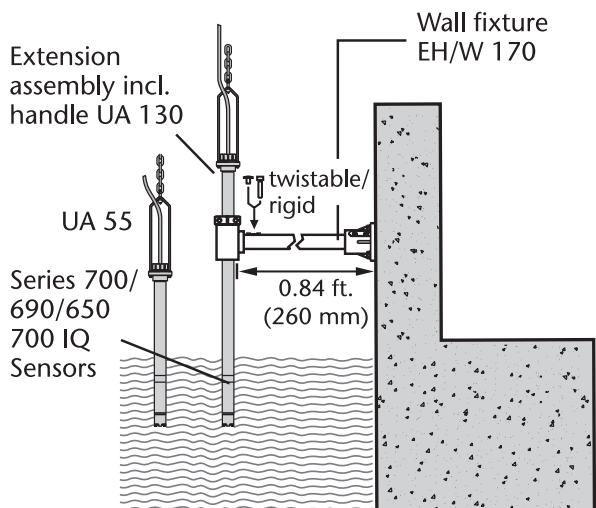


Pendulum rod shown 90 rotated

Measurements in Basins or in Open Channels

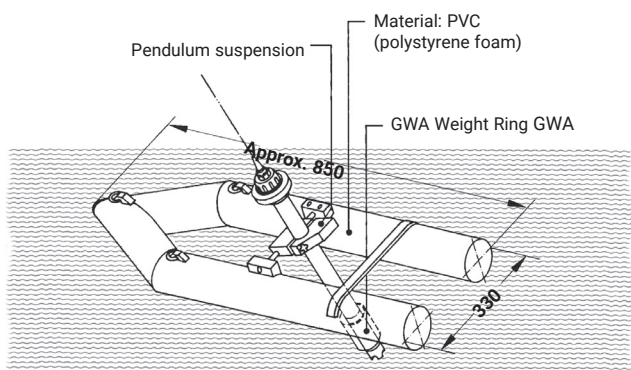
Wall mounting

for universal extension assemblies UA 55/ UA 130



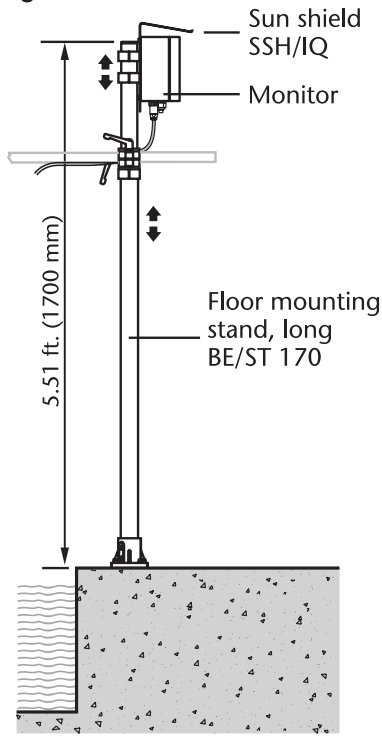
Measurements in very variable water levels or in rivers, lakes, etc.

Sensor Float S 200

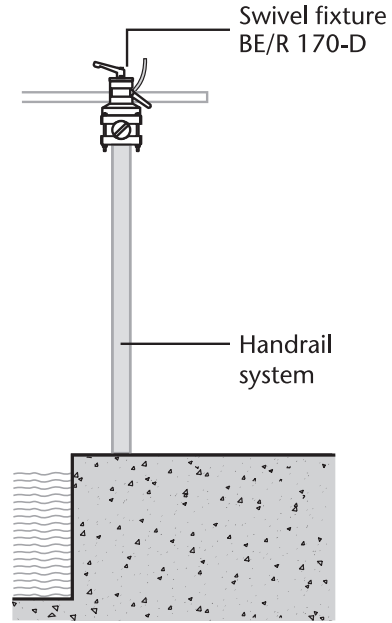


Mounting Stands and Fixtures

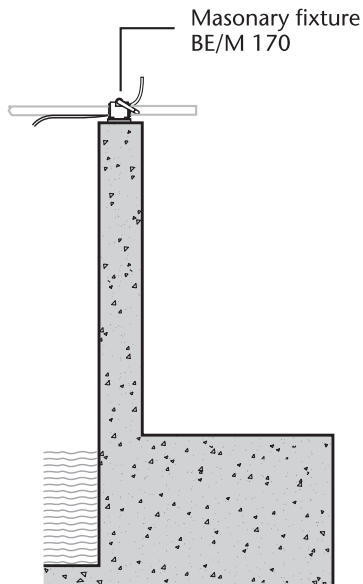
Floor Mounting Stand



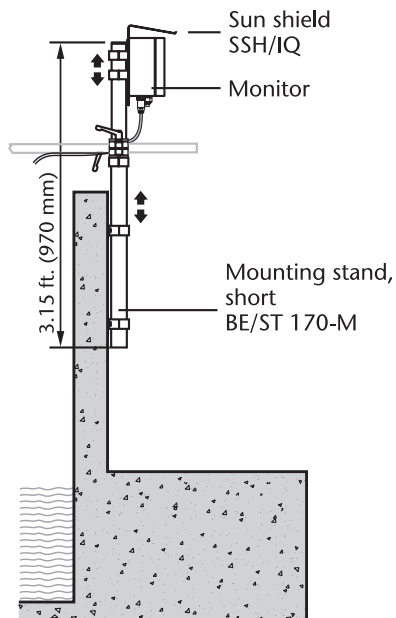
Handrail Mounting (swivel-mounted)



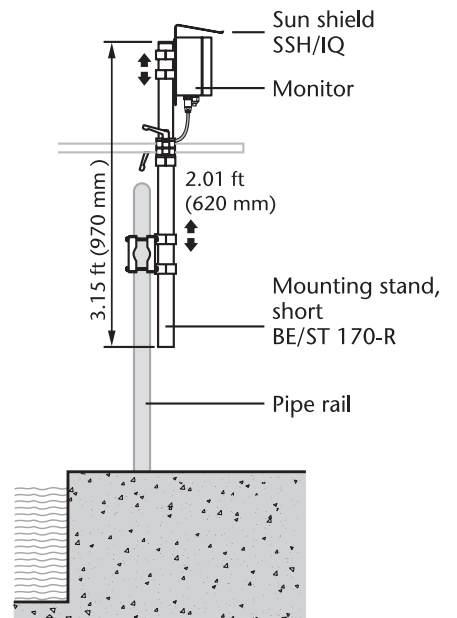
Top-of-Wall Mounting



Wall Mounting



Pipe Mounting



Sensor Holding Devices

EH/F 170

Order No.: 109 272, 109 273

The SensoClean swing mounting assembly consists of a 4.86 ft. or 8.11 ft. (1.5 or 2.5 m) long boom and a 13 ft. (4 m) long plastic chain for height adjustment of the sensor. It may also hold sensor extension assemblies. Particularly in turbulent flows, the freely swinging suspension produces a self-cleaning effect of the sensor, making the swing mounting especially suitable for operation in basins; e.g. in the aeration tank of a wastewater treatment plant.

Boom length	4.86 ft. or 8.11 ft. (1.5 or 2.5 m)
Material	Stainless steel 1.4301
Chain material	Polyethylene

EH/P 170

Order No.: 109 270

The SensoClean pendulum mounting assembly consists of a boom with a pendulum head and an angled pendulum rod. It is fitted at the top end with a movable counterweight for fine adjustment. The sensor or the extension assembly is fastened to the pendulum rod by two pipe clamps.

Boom	Length 2.01 ft. (620 mm), stainless steel 1.4301
Pendulum rod	Length 6.39 ft. (1970 mm), stainless steel 1.4301
Pendulum head, clamp	POM/Polyethylene

EH/W 170

Order No.: 109 274

The EH/W 170 mounting assembly is designed for direct fastening to a wall of a basin. It can be set for pendulous or rigid operation, and it is suitable for extension assemblies. The immersion depth is adjusted by means of a fixing ring. Includes mounting plate with appropriate wall anchors and screws.

Boom	Length 0.84 ft. (260 mm), stainless steel 1.4301
Pendulum head	POM
Mounting plate	Diecast aluminum

S 200

Order No.: 108 540

The float with pendulum mounting assembly is available for use in flowing water or where the water level fluctuates considerably. The fixture is designed for extension assembly UA 55. A GWA weight ring is also required.

Dimensions	2.76 x 1.07 ft. (850 x 330 mm) (L x W)
Material	PVC

VIS Set-F

Order No.: 481 080

Supplemental kit for horizontal mounting of a UV(-VIS) sensor (NitroVis, CarboVis, NiCaVis). Particularly suitable for heavily fluctuating water levels in combination with the S 200 sensor float.

Material	PVC/POM
-----------------	---------

Vario Mounting Stand

BE/ST 170

Order No.: 109 280

Robust floor mounted stand made of stainless steel, with joint-locking fixture to accommodate a swing or pendulum mounting assembly and 2 pipe brackets for attaching a sun shield. With diecast aluminum baseplate, wall plugs and screws.

Stand	Length 5.51 ft. (1700 mm), diameter 1.97 in. (50 mm)
Material	Stainless steel 1.4301
Brackets	Polypropylene

BE/ST 170-M

Order No.: 109 283

Mounting stand similar to model BE/ST 170, but shorter version for wall mounting. Wall mounting material is included instead of the baseplate.

Stand	Length 3.15 ft. (970 mm), diameter 1.97 in. (50 mm)
Material	Stainless steel 1.4301

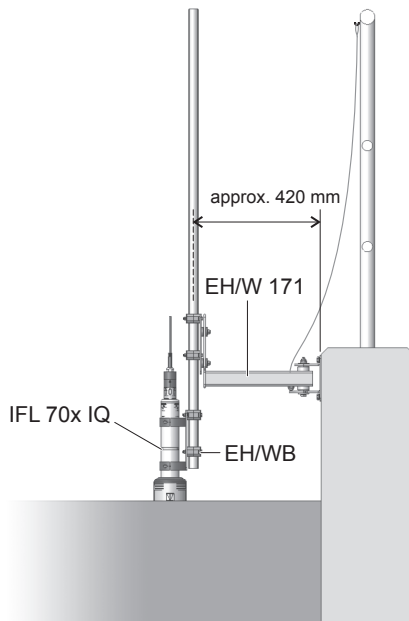
BE/ST 170-R

Order No.: 109 281

This stand is similar to model BE/ST 170, but with hardware for fastening of the stand to a vertical or horizontal pipe rail.

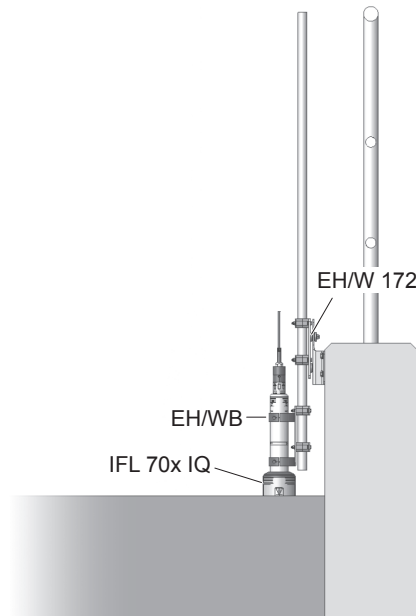
Stand	Length 3.15 ft. (970 mm), diameter 1.97 in. (50 mm)
Material	Stainless steel 1.4301

Mounting Systems for 60 mm Sensors (Spectral, UV 700 IQ SAC/NO_x, Sludge Level)



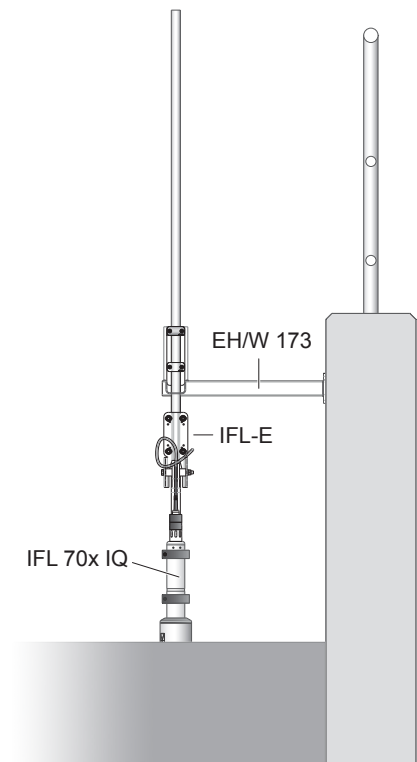
Swing wall mount

EH/W171 Order No. 109 360
with side arm, usable in
combination with
EH/WB (Order No. 109 362)



Wall mount

EH/W 172 Order No. 109 361
usable in combination with
EH/WB (Order No. 109 362)



Fixed wall mount

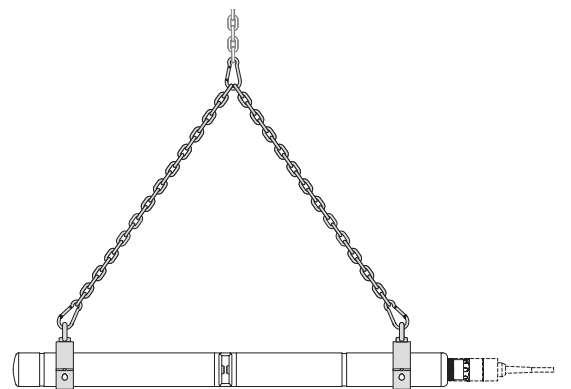
EH/W173 Order No. 109 365
with side arm,
usable in combination with
IFL-E (Order No. 481 206) oder
EH/WB (Order No. 109 362)

Holder for 60 mm Sensors (Spectral sensors)

VIS Set/EH (shaded parts)

Order No. 481 073

Supplement kit for horizontal mounting of UV(-VIS) sensors
(NitraVis, CarboVis, NiCaVis, NiCaVis NI) with the EH/F
170 swing mounting assembly for use in basins or open
channels.



VIS Set/EH

Flow-thru Adapters SW		
		Flow-thru Vessels
		EBST/SW Flow-thru adapter Order No. 203 758
Sensor to be built in	VisoTurb® 700 IQ SW	ADA-DF9/SW 203 790
	ViSolid® 700 IQ SW	ADA-DF9/SW 203 790
	TetraCon® 700 IQ SW	ADA-DF9/SW 203 790
	SensoLyt® 700 IQ SW	ADA-DF9/SW 203 790
	TriOxmatic® 700 IQ SW	ADA-DF9/SW 203 790
	FDO® 700 IQ SW	ADA-DF9/SW 203 790

Flow-through Adapters

EBST 700-DU/N and EBST 700-DU/ND

Order No.: 203 753

Order No.: 203 754

Flow-through adapter for measurements in pipelines, consisting of a 45° PVC T-piece (d 63 DN 50) with bonded sleeve, O-ring seals and union nut. The adapter must be completed by the selection of a suitable sensor flange from the table on page 114 and can then be used for measurement of pH, oxygen, temperature and conductivity with all current WTW sensors.

EBST 700-DU/ND additionally features a compressed-air connection for cleaning installed sensors. Selection of sensors acc. table on page 114.

Max. pressure	3 bar (EBST 700-DU/N) or 0.2 bar (EBST 700-DU/ND)
Max. temperature	122 °F (50 °C)
Material	PVC/POM

EBST 700-DU/ND Order No. 203 754



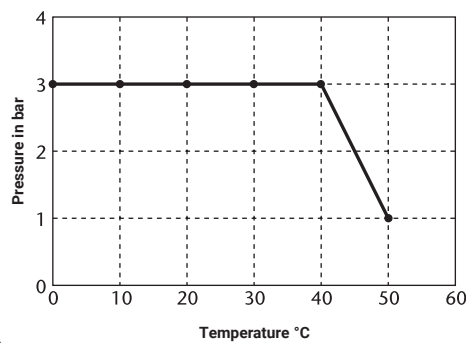
EBS 700-DU/N

Order No.: 203 751

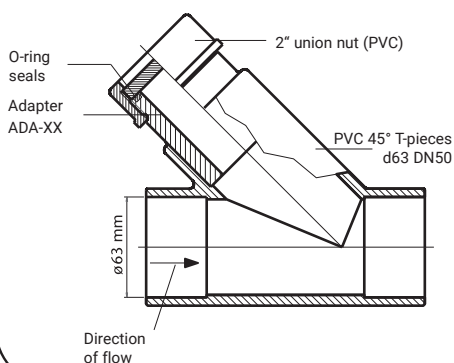
Mounting set for flow-through measurements, consisting of a bonded sleeve for standard 45° PVC T-pieces (d 63 DN 50) or other suitable pipeline systems, one R 2" union nut and the necessary O-ring seals. Please select an adapter from the table on page 114.

Max. pressure	3 bar
Max. temperature	122 °F (50 °C)
Material	PVC/POM

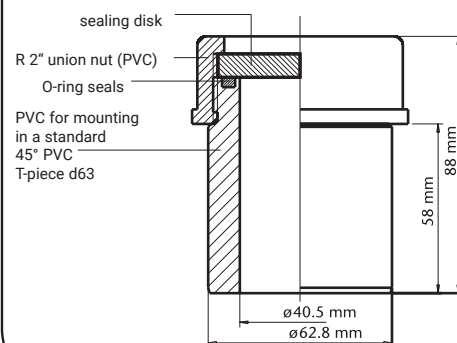
EBST 700-DU/N and EBS 700-DU/N



EBST 700-DU/N Order No. 203 753



EBS 700-DU/N Order No. 203 751



Weld-in Sockets

ESS 700 VA/N

Order No.: 203 755

Stainless steel weld-in socket, for measurements in pipe-lines. Please select an adapter from the table "Flow-through Adapters".

Max. pressure	3 bar
Max. temperature	122 °F (50 °C)
Material	
Weld-in socket	V4A stainless steel 1.4571
Union nut	PVC-U
Total length	5.59 in. (142 mm)
Outside diameter	2.36 in. (60 mm)

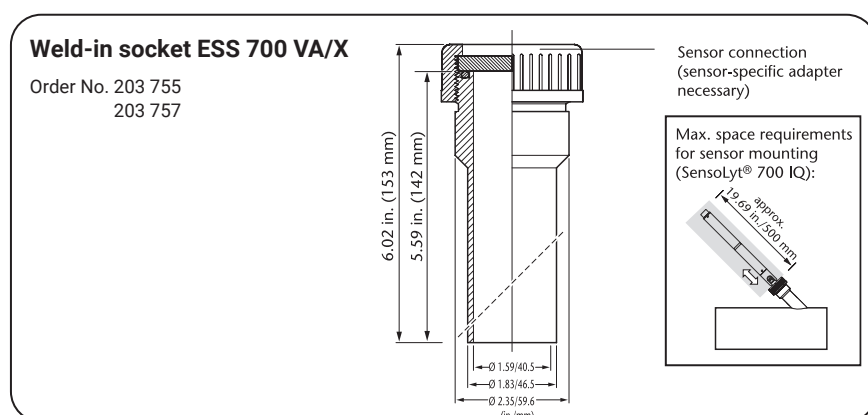
ESS 700 VA/10

Order No.: 203 757

Stainless steel weld-in socket, for measurements in pipe-lines. Please select an adapter from the table "Flow-through Adapters".

Max. pressure	10 bar
Max. temperature	140 °F (60 °C)
Material	
Weld-in socket	V4A stainless steel 1.4571
Union nut	V4A stainless steel 1.4571
Total length	5.59 in. (142 mm)
Outside diameter	2.36 in. (60 mm)

Configuration of the adapter according to table "Flow-through Adapters".



ESS 700 VA/10

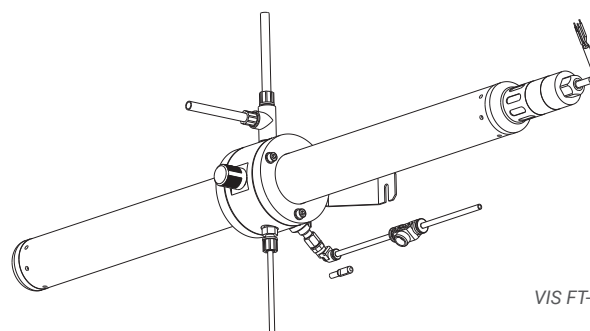
Flow-through Vessels for 60 mm Sensors (Spectral Sensors)

UV-VIS sensors in flow-through measurement

VIS FT-1

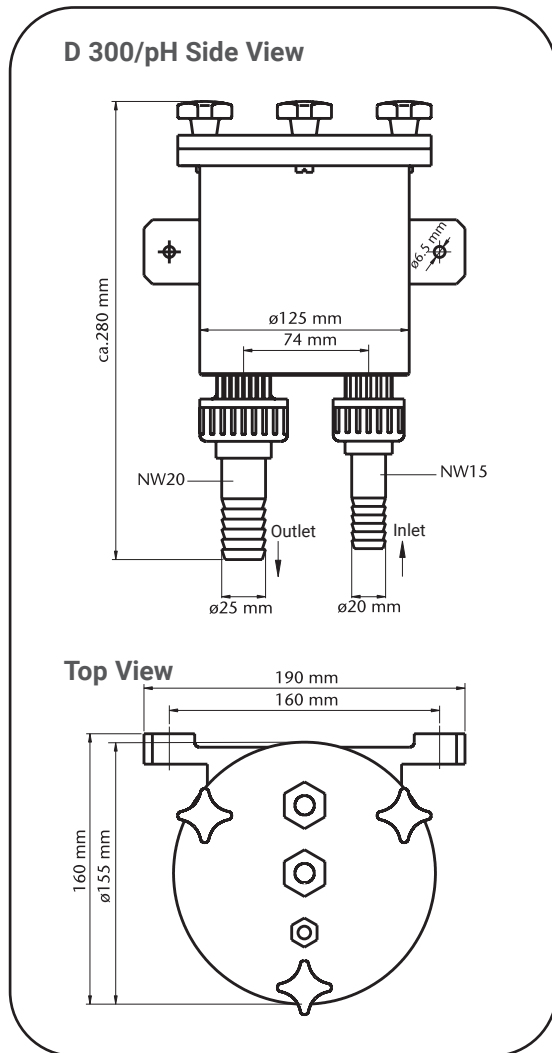
Order No. 480 080

Flow-through cell for UV/VIS sensors NitraVis/CarboVis (TS), NiCaVis 700 IQ and NiCaVis NI. The sensor can be cleaned automatically in mounted state by means of compressed air.



VIS FT-1

Flow-through Vessels for pH/ORP/Cond Measurement

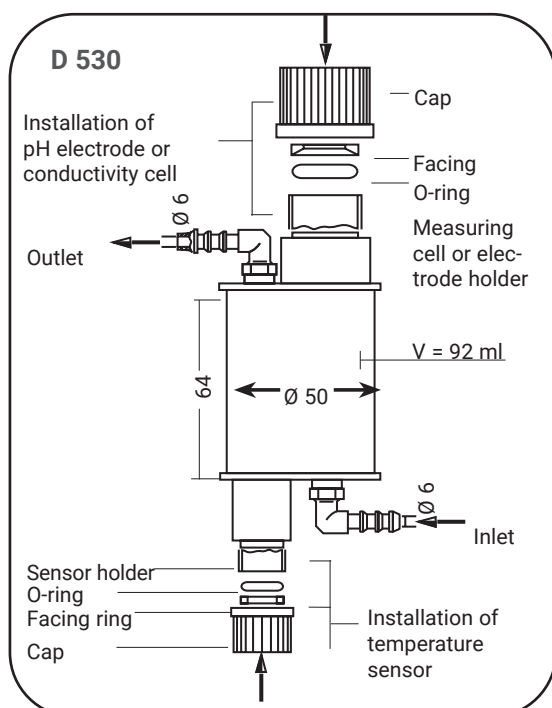


D 300/pH

Order No. 108 073

Flow-through vessel for unpressurized applications with pH/ORP electrodes of type SensoLyt® SE/DW/EC/Pt (2 x M20 x 1.5; clamping range 0.28-0.51 in./7-13 mm) and one TFK-150/325 Temperature sensor (1 x M12 x 1,5; clamping range 0.12-0.28 in. /3-7 mm).

Vessel volume:	Approx. 1200 ml
Min. flow rate:	Approx. 1 l/min.
Max. pressure:	< 15psi (< 1 bar)
Inlet/Outlet:	Hose connection with nominal width of 0.59 and 0.98 in. (15 and 24.9 mm), resp.
Material:	PVC
Dimensions:	Approx. 11.02 x 7.48 in. (280 x 190 mm,H x W)



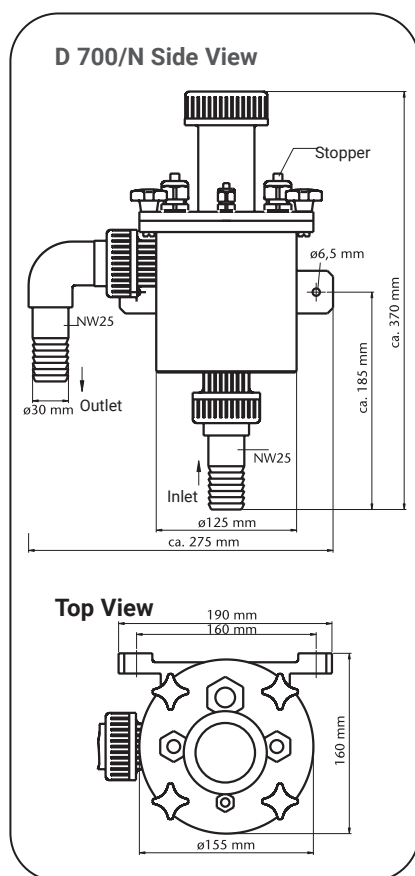
D 530

Order No. 108 060

Transparent flow-through vessel for installation of pH electrodes or conductivity cells with 0.47 or 0.51 in. (12 or 13 mm) diameter, and temperature sensors with 0.24 in. (6 mm) diameter.

Vessel volume:	Approx. 95 ml
Min. flow rate:	Approx. 20 - 50 ml/min.
Max. pressure:	< 15 psi (< 1 bar)
Inlet/Outlet:	Hose connection dia. 0.24 in. (6 mm)
Material:	PVC, transparent
Dimensions:	3.11 x 1.97 in. (79 x 50 mm, H x W, without connectors)

Flow-through Vessels for Multi-parameter Measurement



D 700/N

Order No. 203 745

PVC flow-through vessel for unpressurized measurements with various sensors. The D 700/N can accommodate up to the following number of sensors:

- 1 D.O. sensor TriOxmatic® 690/700/701/CellOx® 700 (IQ) (central bore; dia. 40,5 mm). Instead of the TriOxmatic® sensor a conductivity sensor type TetraCon® 700 (IQ) can also be mounted.
- 2 pH/ORP electrodes type SensoLyt® SE/DW/EC/Pt (M20 x 1.5; clamping range 7-13 mm),
- 1 conductivity cell e.g. TetraCon® 325 (M25 x 1.5; clamping range 9-13 mm),
- 1 temperature sensor e.g. TFK 325 (M12 x 1.5; clamping range 3-7 mm).

Configuration of the adapter according to table: flow-through adapters

Vessel volume:	Approx. 1100 ml
Min. flow rate:	2 - 7 l/min. (depending on sensor)
Max. flow rate:	30 l/min.
Max. pressure:	< 15 psi (< 1 bar)
Inlet/Outlet:	Hose connection; nominal dia. 1.18 in. (30 mm)
Material:	PVC
Dimensions:	14.57 x 10.83 x 6.30 in. (370 x 275 x 160 mm, H x W x D, incl. connectors)

DMS/N

Order No. 203 749

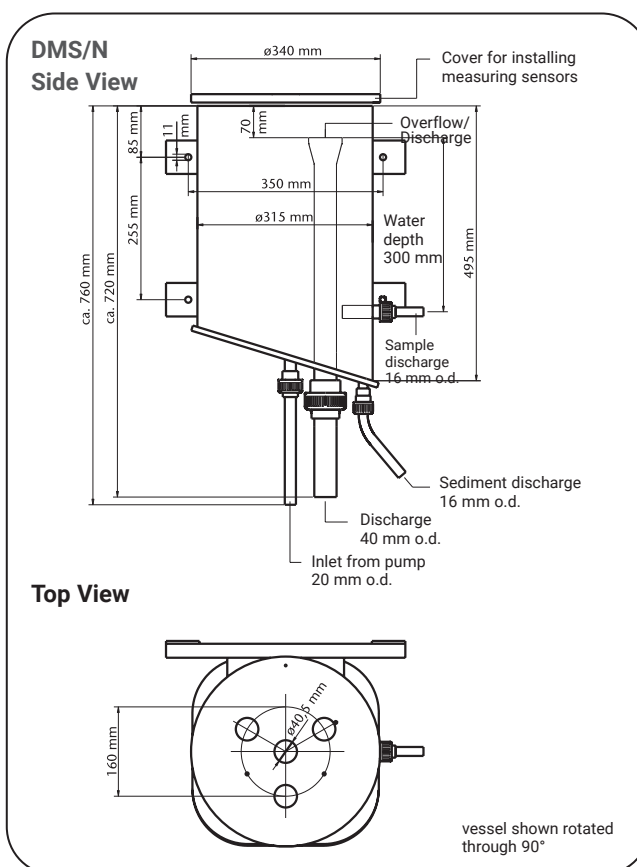
The DMS/N flow-through vessel was designed specifically for use in monitoring stations.

Up to 4 sensors, each with a diameter of 40 mm, can be mounted in the lid of the vessel for measurement of oxygen, pH/ORP, conductivity and/or turbidity.

The sample flow is continuously supplied to the vessel by a small submersible pump (not included), and exits through an overflow. If in addition analyzers are installed in the station, they can be supplied with samples from the flow-through vessel.

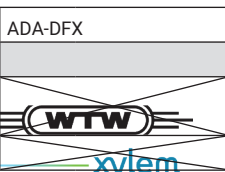
Vessel volume:	Approx. 27 l
Min. flow rate:	150 - 200 l/hr
Max. flow rate:	Approx. 1500 l/hr
Max. pressure:	< 15 psi (< 1 bar)
Inlet/outlet:	Hose connection Ø 0.79 resp. 1.57 in. (20 mm resp. 40 mm)
Material:	PVC
Dimensions:	Approx. 19.49 x 15.39 in. (495 x 340 mm, H x W, without connectors)

Configuration of the adapter according to table: flow-through adapters



Flow-through Adapters

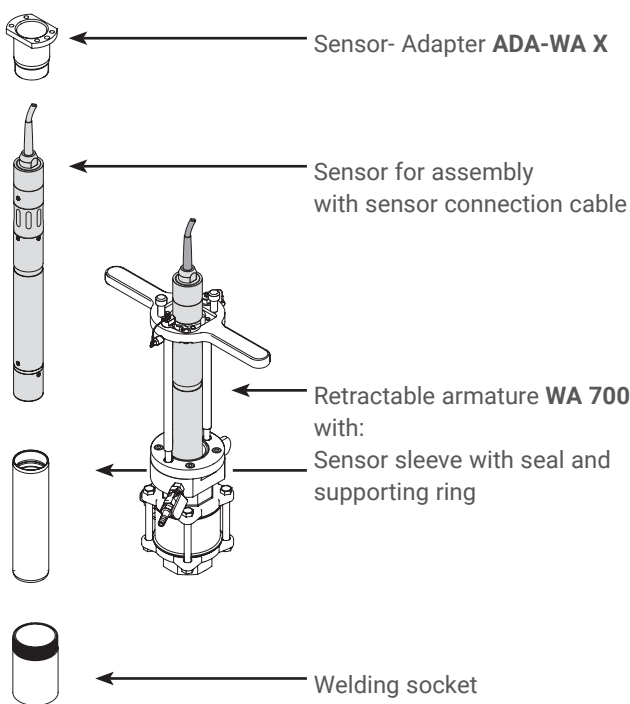
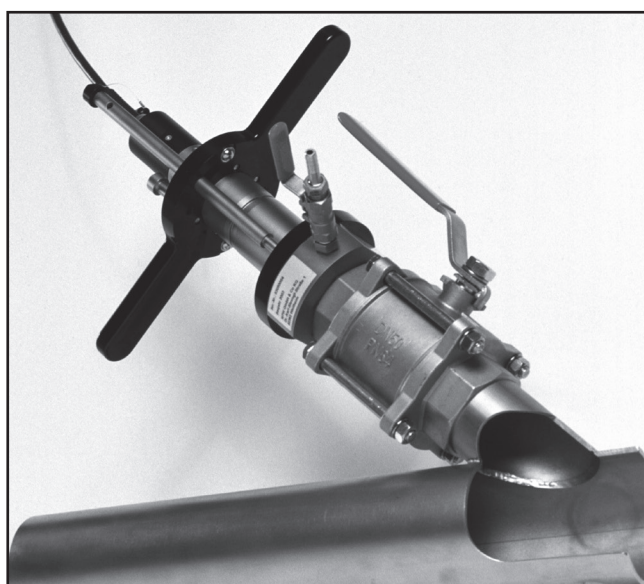
		Flow-through Vessels										
		D 700/N Flow-through vessel Order No. 203 745	D 702/N Flow-through vessel Order No. 203 747	DMS/N Flow-through vessel Order No. 203 749	EBS 700-DU/N Flow-through adapter Order No. 203 751	EBST 700-DU/N Flow-through adapter Order No. 203 753	EBST 700-DU/ND Flow-through adapter Order No. 203 754	ESS 700 VA/N Welding socket Order No. 203 755	ESS 700 VA/10 * Welding socket Order No. 203 757	WA 700/2 Retractable armature Order No. 480 102	WA 700/10 * Retractable armature Order No. 480 100	
Sensor to be built in	TriOxmatic® 690/700/700 IN/701/702 **									ADA-DF12 203 783	ESS-WA 700/X 480 10X ADA-WA2 480 110	ESS-WA 700/X 480 10X ADA-WA2 480 110
	TetraCon® 700									ADA-DF12 203 783	ESS-WA 700/X 480 10X ADA-WA2 480 110	ESS-WA 700/X 480 10X ADA-WA2 480 110
	SensoLyt® 650/690/700			ADA-DF10 203 779	ADA-DF10 203 779	ADA-DF10 203 779	ADA-DF10 203 779	ADA-DF10 203 779			ESS-WA 700/X 480 10X ADA-WA3 480 112	ESS-WA 700/X 480 10X ADA-WA3* 480 112
	VisoTurb® 700 IQ			ADA-DF7 203 773	ADA-DF9 203 777	ADA-DF9 203 777	ADA-DF9 203 777	ADA-DF9 203 777	ADA-DF9 203 777	ADA-DF11 203 781	ESS-WA 700/X 480 10X ADA-WA1 480 108	ESS-WA 700/X 480 10X ADA-WA1 480 108
	ViSolid® 700 IQ			ADA-DF7 203 773	ADA-DF9 203 777	ADA-DF9 203 777	ADA-DF9 203 777	ADA-DF9 203 777	ADA-DF9 203 777	ADA-DF11 203 781	ESS-WA 700/X 480 10X ADA-WA1 480 108	ESS-WA 700/X 480 10X ADA-WA1 480 108
	TetraCon® 700 IQ	ADA-DF1 203 761		ADA-DF1 203 761	ADA-DF9 203 777	ADA-DF9 203 777	ADA-DF9 203 777	ADA-DF9 203 777	ADA-DF9 203 777	ADA-DF11 203 781	ESS-WA 700/X 480 10X ADA-WA1 480 108	ESS-WA 700/X 480 10X ADA-WA1 480 108
	SensoLyt® 700 IQ	ADA-DF1 203 761		ADA-DF1 203 761	ADA-DF9 203 777	ADA-DF9 203 777	ADA-DF9 203 777	ADA-DF9 203 777	ADA-DF9 203 777	ADA-DF11* 203 781	ESS-WA 700/X 480 10X ADA-WA1 480 108	ESS-WA 700/X 480 10X ADA-WA1* 480 108
	TriOxmatic® 700 IQ/701 IQ	ADA-DF1 203 761	ADA-DF4 203 767 and ADA-DF6 203 771	ADA-DF1 203 761	ADA-DF9 203 777	ADA-DF9 203 777	ADA-DF9 203 777	ADA-DF9 203 777	ADA-DF9 203 777	ADA-DF11 203 781	ESS-WA 700/X 480 10X ADA-WA1 480 108	ESS-WA 700/X 480 10X ADA-WA1 480 108
	TriOxmatic® 702 IQ		ADA-DF4 203 767 and ADA-DF6 203 771		ADA-DF9 203 777	ADA-DF9 203 777	ADA-DF9 203 777	ADA-DF9 203 777	ADA-DF9 203 777	ADA-DF11 203 781	ESS-WA 700/X 480 10X ADA-WA1 480 108	ESS-WA 700/X 480 10X ADA-WA1 480 108
	FDO 700 IQ/701 IQ	ADA-DF14 203 787		ADA-DF1 203 761	ADA-DF15 203 789	ADA-DF15 203 789	ADA-DF15 203 789	ADA-DF15 203 789	ADA-DF15 203 789	ADA-DF11 203 781	ESS-WA 700/X 480 10X ADA-WA4 480 114	ESS-WA 700/X 480 10X ADA-WA4 480 114
	AmmoLyt® Plus 700 IQ NitraLyt® Plus 700 IQ VARiON® Plus 700 IQ	ADA-DF1 203 761 if < 0.2 bar is met		ADA-DF1 203 761 if < 0.2 bar is met	ADA-DF9 203 777 if < 0.2 bar is met	ADA-DF9 203 777 if < 0.2 bar is met	ADA-DF9 203 777 if < 0.2 bar is met	ADA-DF9 203 777 if < 0.2 bar is met	ADA-DF9 203 777 if < 0.2 bar is met			



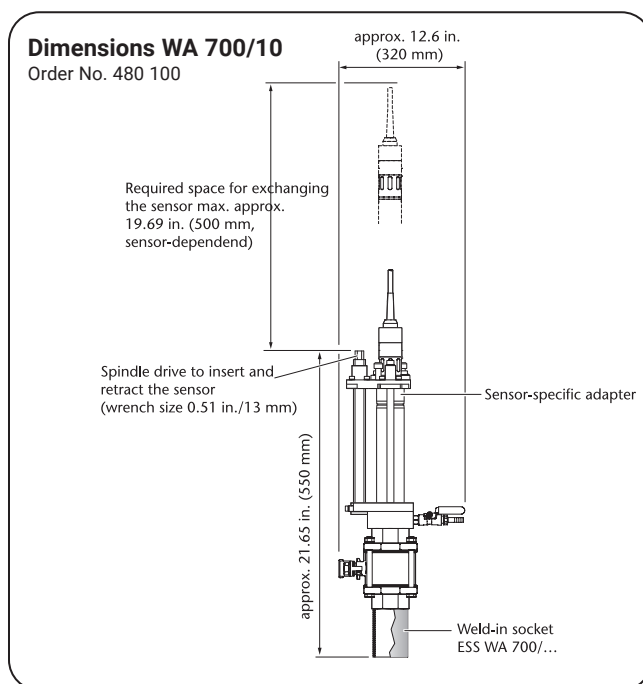
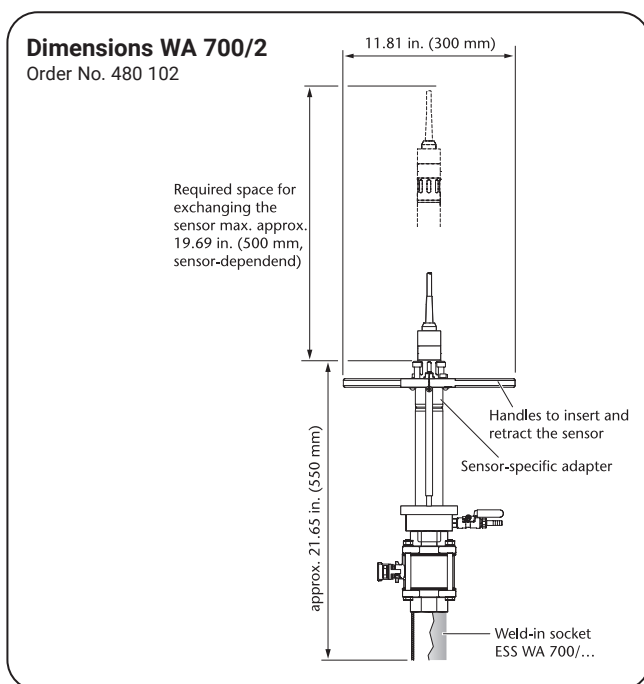
Configuration recommended
 Configuration possible (check sensor specs and application)
 Configuration not intended
Xylem Analytics Germany Sales GmbH & Co. KG, WTW
 Am Achalaich 11 · 82362 Weilheim · Germany · Tel: +49 881 183-0 · Fax: +49 881 183-420
 Product Details for WTW Process Instrumentation 2026 – English

* with electrode SensoLyt® SEA-HP
 ** only for flow-through vessel D 702/N www.xylemanalytics.com

Retractable Armatures



Technical Data Retractable Armatures		
	WA 700/2	WA 700/10
Max. Pressure	2 bar (overpressure)	10 bar (overpressure)
Max. Temperatur	140 °F (60 °C)	
Material	Wetted parts: O-rings: Seals ball valve:	Stainless steel (1.4571 or 1.4408) FPM (Viton) PTFE (Teflon)
Total Length	21.26 in. (540 mm)	
Outer Diameter	Incl. mounting aid: 11.81/12.60 in. (300/320 mm)	



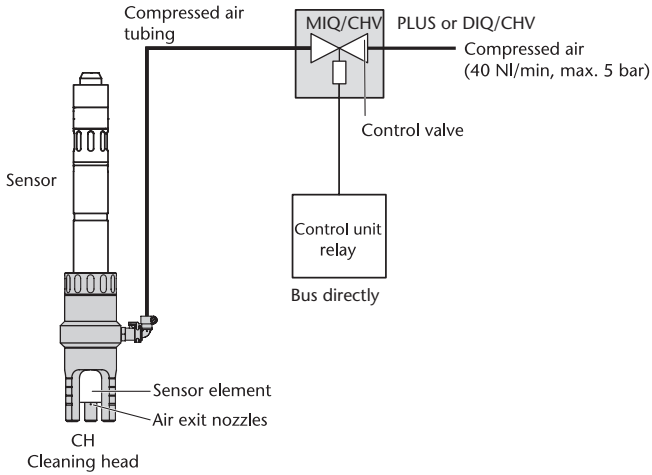
Cleaning System

For a continuous compressed-air cleaning system there are two options:

Option 1:

Compressed-air supply is provided at the plant. You require the following components

- Cleaning head CH
- Valve module (MIQ/CHV PLUS or DIQ/CHV)



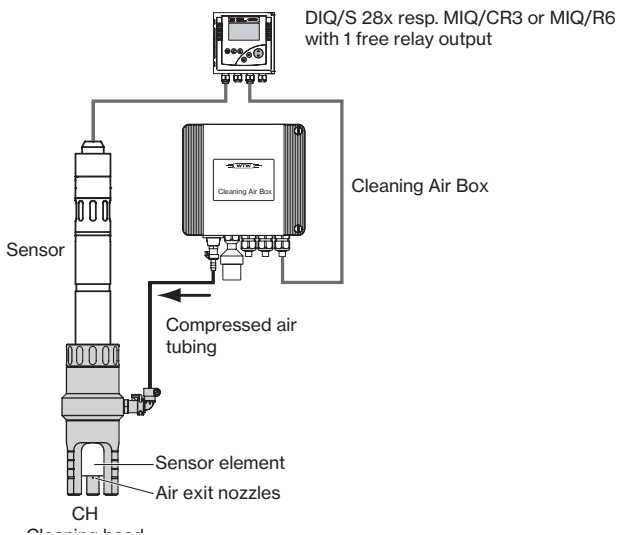
Efficient compressed air cleaning put into practice:



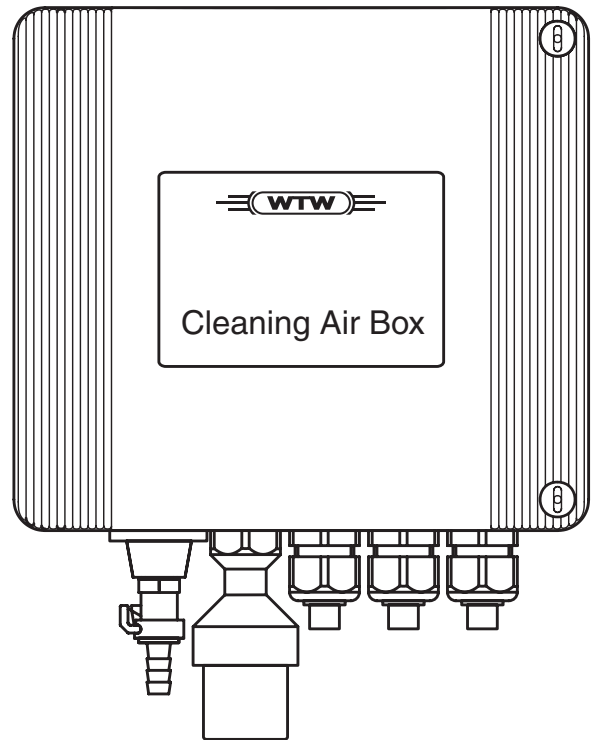
Option 2:

Compressed-air supply is not provided at the plant. You require the following components

- Cleaning head CH
- Cleaning Air Box
- Monitor with relay output



Cleaning Air Box



Xylem Analytics Germany Sales GmbH & Co. KG

General Terms and Conditions for the Sale and Delivery of Products and Services

March 2025. Changes reserved.

1. APPLICATION

Unless expressly agreed otherwise, these terms and conditions ("General Terms and Conditions") apply to all sales and services of Xylem Analytics Germany Sales GmbH & Co. KG (hereinafter referred to as "Xylem" or "Supplier"), if the buyer is an entrepreneur (§ 14 BGB), a merchant within the meaning of the HGB, or a legal entity under public law. These General Terms and Conditions apply exclusively. Deviating conditions of the buyer do not apply.

2. MINIMUM ORDER VALUE, VALIDITY OF QUOTATIONS

2.1 The minimum order value is 300.00 EUR. For orders below this minimum order value, the Supplier reserves the right to reject the order.

2.2 Offers from the Supplier are non-binding, and the Supplier reserves the right to cancel or withdraw the offer at any time, with or without prior notice or reason, before acceptance by the buyer. Initial orders are only considered accepted if they are confirmed in writing or executed.

3. PRODUCT INFORMATION

All information and data contained in general product documentation and price lists, whether in electronic or any other form, are binding only to the extent that they are by reference expressly included in the Contract.

4. DRAWINGS AND DESCRIPTIONS

4.1 All drawings and technical documents related to the product or its manufacture, which the Supplier provides to the buyer before or after the conclusion of the contract, remain the property of the Supplier.

4.2 Drawings, technical documents, or other technical information received by the buyer from the Supplier may not be used for purposes other than those for which they were provided without the Supplier's consent. They may not be used, reproduced, copied, transmitted, or communicated to third parties without the Supplier's consent.

4.3 The Supplier shall provide the necessary information and drawings free of charge no later than upon delivery of the products, enabling the buyer to install, commission, operate, and maintain the product. These information and drawings shall be provided in the agreed number of copies or at least one copy each. The Supplier is not obliged to provide production drawings for the product or spare parts.

5. INSPECTIONS AND TESTS

5.1 Inspections

If expressly agreed in the contract, the buyer is entitled to have the quality of the materials used and the product parts inspected and tested by his authorized representatives, both during manufacturing and after completion. Such inspection and testing shall be carried out at the place of manufacture during normal working hours and regarding the date and time by agreement with the Supplier and at the buyer's expense.

5.2 Tests

5.2.1 Contractually stipulated acceptance tests shall be carried out at the place of manufacture during normal working hours, unless otherwise agreed.

5.2.2 If the contract does not specify technical requirements, the tests shall be conducted according to the Supplier's standard procedures.

5.2.3 If requested in writing by the buyer in a timely manner, the Supplier shall inform the buyer in writing about the acceptance tests in due time to enable the buyer to participate in the tests. If the buyer is not represented at the acceptance tests, the test report shall be sent to the buyer,

whose accuracy can no longer be disputed. For standard products (as defined by the Supplier from time to time), only a "production card" indicating that the product has passed the test procedure and has been accepted will be delivered with the product. If requested in writing by the buyer before the test is carried out, a test report will be provided to the buyer, for which the Supplier may charge reasonable additional costs.

5.2.4 If the acceptance tests show that the product is not in conformity with the contract, the Supplier shall promptly remedy any deviations to ensure that the product is in conformity with the contract. At the buyer's request, new tests shall then be carried out, unless the Supplier considers the deviation to be insignificant.

5.2.5 The Supplier shall bear all costs for the acceptance tests carried out at the place of manufacture. However, the buyer shall bear all costs and expenses for his representatives sent in connection with these tests. The buyer shall bear all costs for optional tests requested by the buyer.

6. DELIVERY, PASSING OF RISK

6.1 The agreed delivery terms shall be interpreted according to INCOTERMS 2020. If no specific delivery term has been stipulated, delivery ("Delivery") shall be DAP (Delivered at Place) to the buyer's address as specified in the order accepted by the Supplier. However, the costs incurred by the Supplier for the DAP delivery shall be borne by the buyer, as outlined in clause 9.6 below.

6.2 Unless otherwise agreed, partial deliveries are permitted.

7. TIME FOR DELIVERY

7.1 Time for Delivery

If the parties specify a delivery period instead of a delivery date within which the delivery must take place, this period begins with the conclusion of the contract and the completion of all official formalities, the performance of all payments due upon the conclusion of the contract, and the provision of any agreed securities or the fulfillment of other preconditions.

7.2 Delay on part of the Supplier

7.2.1 The delivery dates and/or delivery periods specified by the Supplier in the contract are to be treated as estimates, with the Supplier making reasonable efforts to deliver on time. If the Supplier foresees that it will not be able to deliver the product by the delivery date ("delay"), the Supplier shall inform the buyer and, if possible, provide the expected delivery time.

7.2.2 If a delay is caused by one of the circumstances mentioned in clause 13.1 or by an act or omission on the part of the buyer, including a suspension under clauses 9.3 or 13.1, the delivery time shall be extended by a period appropriate to the circumstances. This provision applies regardless of whether the reason for the delay occurred before or after the agreed delivery date.

7.2.3 In the event of a delay, the buyer may demand delivery in writing within a reasonable period, which must be at least ninety (90) days from the receipt of the demand by the Supplier. If the Supplier does not deliver within this period and this is not due to a circumstance for which the buyer is responsible or covered by clauses 7.3 or 13.1, the buyer may terminate the contract in writing with respect to the part of the product that cannot be used as intended by the parties due to the Supplier's failure to deliver. In the event of a delay, the buyer is not entitled to claim liquidated damages or penalties from the Supplier.

7.2.4 If the buyer terminates the contract due to delay, the buyer is entitled to compensation for the loss incurred as a result of the Supplier's delay. The total amount of compensation, including delay

costs, shall not exceed five (5) percent of the net purchase price corresponding to the part of the product for which the contract is terminated, except in cases of intent or gross negligence.

7.3 Delay on part of the buyer

7.3.1 If the buyer foresees that he will not be able to accept the delivery of the product by the delivery date, he shall inform the Supplier in writing, stating the reason and, if possible, specifying a date when he can accept the delivery.

7.3.2 If the buyer is in default of acceptance, he shall still pay the part of the purchase price due upon delivery as if the delivery had taken place. The Supplier shall arrange for the storage of the product at the buyer's risk and expense. Any other direct costs and/or financial burdens arising from such non-acceptance of delivery shall be borne by the buyer. If requested in writing by the buyer, the Supplier shall insure the product on behalf of and at the expense of the buyer.

7.3.3 If the default of acceptance by the buyer is not due to one of the circumstances specified in clause 13.1, the Supplier may request the buyer to accept the delivery within a final reasonable period.

7.3.4 If the buyer does not accept the delivery within this period for a reason for which the Supplier is not responsible, the Supplier may terminate the contract in whole or in part in writing. The Supplier shall then be entitled to compensation for the damage incurred as a result of the buyer's default of acceptance.

8. ALTERATION AND CANCELLATION

8.1 If the buyer wishes to amend the contract and the Supplier accepts such amendment (acceptance shall not be unreasonably withheld), the amendment shall be considered a new contract, entitling the Supplier to reschedule the delivery time, which shall then commence from the date of the Supplier's written acceptance of the amendment.

8.2 Any additional costs resulting from the amendments shall be borne by the buyer, in addition to the purchase price.

8.3 If the buyer terminates the contract in whole or in part without justification, the buyer shall reimburse the Supplier, unless otherwise agreed in writing, (i) all costs and expenses incurred by the Supplier up to and including the termination date, and (ii) any additional costs and expenses arising from the termination.

9. PRICES AND PAYMENT

9.1 If not expressly stipulated in the contract, the purchase price shall be the price indicated in the Supplier's price list as of the delivery date for these products. For domestic sales, payments shall be made within thirty (30) days from the invoice date in the currency specified in the contract, unless otherwise agreed in writing. For deliveries outside the Federal Republic of Germany, the buyer shall make full payment by telegraphic transfer in the currency specified in the contract before delivery, unless otherwise agreed in writing.

9.2 Regardless of the means of payment used, payment shall not be deemed to have been made until the full invoice amount has been irrevocably credited to the Supplier's account.

9.3 If the buyer fails to pay by the stipulated date, the Supplier is entitled to charge interest from the due date. The interest rate is nine (9) percentage points above the base rate according to § 288 para. 2 BGB. The Supplier reserves the right to claim further damages for delay and statutory default interest (§§ 352, 353 HGB).

9.4 In the event of late payment by the buyer, the Supplier may suspend its performance of the contract until full payment is received.

9.5 Notwithstanding other rights to terminate the contract under other sections of these General Terms and Conditions, the Supplier is entitled to terminate the contract in writing to the buyer and claim compensation for the damage incurred if the buyer does not pay the amount due within three (3) months from the invoice date.

9.6 Unless otherwise agreed in writing, all prices are Free Carrier (FCA) Supplier's plant and do not include transportation costs or charges related to transportation, even if delivery is DAP according to clause 6.1 above. This means that in addition to the purchase price, the buyer shall compensate the Supplier for all transportation costs and charges as stated in the Supplier's invoice to the buyer, regardless of DAP delivery.

The Supplier's prices do not include special packaging unless otherwise agreed in writing. All costs and taxes for packaging shall be borne by the buyer as additional charges. Changes in costs and charges are subject to change without notice.

9.7 The price for the products does not include applicable sales, goods, services, value-added taxes, or other duties, tariffs, import costs, or other government charges. The buyer is responsible for paying all such taxes and charges.

9.8 If the buyer's financial condition changes during the performance of the contract such that the Supplier, in good faith and applying usual banking standards, deems timely payment insecure, or if there is a change in the ownership of the buyer's company, or if the buyer fails to make payments according to the terms of its contract with the Supplier, the Supplier is not obligated to continue performance under the contract and may stop goods in transit and withhold or refuse delivery of goods unless the buyer provides advance payment or satisfactory security.

9.9 If the buyer fails to make advance payment or provide satisfactory security, the Supplier has the right to demand payment of the full contract price for completed and in-process work.

9.10 If the buyer defaults on a due payment, the buyer shall immediately pay the Supplier all outstanding amounts for all deliveries made to the buyer, regardless of the terms of such deliveries and whether such deliveries were made under this contract or any other sales contract between the Supplier or any of its affiliates and the buyer. The Supplier may withhold all subsequent deliveries until the full amount is settled. Acceptance of less than full payment by the Supplier shall not be deemed a waiver of the right to full payment or any other claims by the Supplier.

10. RETENTION OF TITLE

10.1 All delivered items remain the property of Xylem until full payment of all claims arising from the purchase contract – in the case of checks and bills of exchange, until they are cashed. These delivered items or the items that replace them according to the following provisions, which are also covered by the retention of title, are hereinafter referred to as "Reserved Goods." The retention of title also serves as security for all claims arising in connection with the delivered item.

10.2 Any processing or transformation of the Reserved Goods is carried out on behalf of the Supplier, free of charge and without obligation for the Supplier, in such a way that the Supplier is considered the manufacturer according to § 950 BGB, thus retaining ownership of the products at any time and stage of processing. If the Reserved Goods are processed with other goods not belonging to the Supplier by the buyer, the Supplier shall have co-ownership of the new item in proportion to the invoice value of the Reserved Goods to the other processed goods at the time of processing. The new item is considered Reserved Goods within the meaning of these General Terms and Conditions. If the Supplier's ownership expires due to combination or mixing, the buyer hereby transfers to the Supplier the ownership rights to the new stock of the item in the amount of the invoice value of the Reserved Goods and stores them free of charge for the Supplier. The co-ownership rights arising hereunder are considered Reserved Goods within the meaning of clause 10.1.

10.3 The buyer may only sell the Reserved Goods in the ordinary course of business under normal business conditions and as long as he is not in default, provided he has agreed on a retention of title with his customer, and the claims from the resale are transferred to the Supplier according to clauses 10.4 and 10.6. The buyer is not entitled to make other dispositions over the Reserved Goods, particularly pledging or transferring ownership as security. In the event of seizure, confiscation, or other dispositions by third parties, the buyer must inform the Supplier immediately. The buyer must also bear the costs of measures to eliminate the intervention, particularly intervention processes, if they cannot be collected from the opposing party.

10.4 The buyer's claims from the resale of the Reserved Goods are hereby assigned to the Supplier. The Supplier accepts the assignment. The claims assigned to the Supplier serve as security for the Supplier's claims to the same extent as the Reserved Goods. If claims are included in a current account relationship agreed between the buyer

and his customer, the assignment may refer to the balance in the amount of the claims from the resale.

10.5 If the Reserved Goods are sold by the buyer together with other goods not belonging to the Supplier, the assignment of the claim from the resale only applies to the amount of the invoice value of the respective sold Reserved Goods. In the sale of goods in which the Supplier has co-ownership rights according to clause 10.2, the assignment of the claim applies to the amount of these co-ownership shares.

10.6 If the Reserved Goods are used by the buyer to fulfill a contract for work or a contract for work and materials within the meaning of § 651 BGB, clause 10.4 applies accordingly to the claim from this contract.

10.7 The buyer is entitled to collect claims from the resale and/or processing until revoked by the Supplier at any time. The buyer is not entitled to assign the claim. At the Supplier's request, the buyer is obliged to inform his customers of the assignment to the Supplier and to provide the Supplier with the information and documents required for collection.

10.8 If the value of the securities existing for the Supplier exceeds the Supplier's claims by more than ten (10) percent, the Supplier is obliged to release securities to that extent at the buyer's request, at the Supplier's discretion.

10.9 In the event of a breach of the conditions regarding the retention of title, the Supplier is entitled to stop further deliveries, demand advance payments and security, and claim damages for non-performance, without prejudice to asserting further claims.

10.10 If the retention of title or the assignment is not effective under the law in the area where the goods are located, the security corresponding to the retention of title or the assignment in this area is considered agreed. If the buyer's cooperation is required for this purpose, he must take all measures necessary to establish and maintain such rights.

11. WARRANTY, BUYERS DUTIES IN WARRANTY CASES, REIMBURSEMENT OF EXPENSES, LIABILITY

11.1 The buyer's rights in case of material and legal defects (including incorrect/short delivery, faulty assembly or similar services, as well as defective instructions) are governed by statutory provisions, subject to deviating or supplementary regulations in these General Terms and Conditions. The statutory special provisions on supplier recourse remain unaffected in all cases, except if the defective products were further processed by the buyer or another entrepreneur, e.g., by incorporation into another product, and only if no equivalent compensation has been agreed otherwise.

11.2 The Supplier exclusively warrants that the goods have the expressly agreed quality at the time of contract conclusion and are suitable for the expressly agreed use in the contract (e.g., specification in the product specifications or product description). If requirements regarding a specific feature of the products have been agreed upon, this excludes other requirements related to the feature, even if they would meet the objective requirements for the contractual item. Public statements, promotions, or advertisements by the Supplier do not constitute contractual quality of the products. The Supplier assumes no liability for public statements made by third parties (e.g., advertising claims).

11.3 Warranty claims by the buyer require that he has properly fulfilled his statutory inspection and notification obligations according to § 377 HGB. In case of obvious defects or incompleteness of the goods, the buyer must notify the Supplier in writing immediately, but no later than within five (5) working days after arrival at the destination. If the defect is not recognizable during the inspection after delivery, the buyer must notify the Supplier immediately, but no later than within three (3) working days after discovery. Claims by the buyer for defects or incompleteness are excluded if he fails to conduct timely inspection or notification. The buyer must also secure evidence in an appropriate form and provide the Supplier with the opportunity to inspect upon request.

11.4 The buyer must promptly inform the Supplier of any defect notifications from his customers regarding the Supplier's services. If the

buyer fails to comply with this obligation, he has no defect claims against the Supplier.

11.5 If the goods have defects, the Supplier may choose to remedy the defects or provide a defect-free replacement as subsequent performance. Only if subsequent performance repeatedly fails or is unreasonable and the defects are not insignificant, the buyer is entitled to withdraw or reduce the price according to statutory provisions. § 478 BGB remains unaffected. The buyer is entitled to claims for damages according to clause 11.8.

11.6 Claims for defects expire twelve (12) months from the transfer of risk. The same applies to legal defects. In cases of intentional breaches of duty, claims arising from tort, absence of guaranteed properties, assumption of procurement risks, and personal injury, the statutory limitation periods apply. §§ 438 para. 3, 479, and 634 a para. 3 BGB remain unaffected.

11.7 For any replacement deliveries and repair work, a warranty period of three (3) months from delivery or performance of the service applies, but at least until the expiration of the warranty period for the original service.

11.8 The Supplier is liable without limitation under the Product Liability Act, in cases of express assumption of a guarantee or procurement risk, and for intentional or grossly negligent breaches of duty. The Supplier is also liable without limitation for intentional or negligent injury to life, body, or health. For slightly negligent caused material and financial damages, the Supplier is only liable in case of breach of essential contractual obligations, whose fulfillment enables the proper execution of the contract and on whose fulfillment the buyer particularly relies, but limited to the foreseeable, typical contractual damage at the time of contract conclusion.

11.9 Claims for damages of any kind arising from improper handling, modification, assembly, and/or operation of the delivered items or due to faulty advice or instruction by the buyer are excluded unless the Supplier is responsible for them. The Supplier is also not liable for damages to products manufactured by the buyer or for products in which the buyer's products form a component.

11.10 Any further liability for damages than provided in the preceding paragraphs of this clause 11 is excluded, regardless of the legal nature of the asserted claim.

11.11 The above limitations of liability apply in terms of reason and amount also in favor of the Supplier's legal representatives, employees, and other vicarious agents.

11.12 Excluded from the warranty are natural wear and tear, all wear parts, and damages caused by transport or improper storage.

12. CONFIDENTIALITY

The parties agree that information received from each other in connection with the contract, which is obviously or reasonably understood as confidential based on its content, shall not be disclosed by the receiving party to third parties without the written consent of the disclosing party, except to the extent that (i) it is necessary for the receiving party to exercise its rights and fulfill its obligations under the contract, (ii) the information is already publicly accessible or becomes publicly accessible later without breach of this contract, (iii) the information was already known to the receiving party at the time of disclosure, as evidenced by written records existing prior to the receipt date, (iv) the information is subsequently, lawfully obtained by the receiving party from one or more third parties, or (v) the information was independently obtained by the receiving party prior to disclosure.

13. FORCE MAJEURE

13.1 Each party is entitled to suspend the performance of its contractual obligations to the extent that such performance is made impossible or unreasonably difficult by the following circumstances: labor disputes and all circumstances beyond the control of the party, such as pandemics, fire, earthquakes, natural disasters, acts of God, war, general mobilization, insurrection, requisition, confiscation, embargo, government actions, strikes, lockouts, restrictions on energy consumption, as well as faulty or delayed deliveries by subcontractors ("Force Majeure").

13.2 The party invoking Force Majeure shall notify the other party in writing of the occurrence and end of such circumstances without delay.

13.3 If Force Majeure prevents the buyer from fulfilling his obligations, he shall compensate the Supplier for the costs incurred to secure and protect the product

13.4 Notwithstanding the other effects stipulated in these General Terms and Conditions, each party has the right to withdraw from the contract by written notice to the other party if the suspension of performance under this clause 13 lasts longer than six (6) months.

13.5 If the buyer withdraws from the contract due to Force Majeure, the buyer shall reimburse the Supplier, unless otherwise agreed in writing, (i) all costs and expenses incurred by the Supplier up to and including the withdrawal date, and (ii) any additional costs and expenses arising from the withdrawal.

14. ASSIGNMENT

The buyer may not assign or transfer the contract or any part thereof or any amounts payable hereunder without the prior written consent of the Supplier, and any such assignment made without the Supplier's consent shall be void. The Supplier may assign its rights and/or obligations in whole or in part to an affiliated company within the meaning of § 15 AktG. The Supplier shall notify the buyer of such assignment or transfer

15. INVALIDITY

15.1 If any provision of this contract is illegal, invalid, or unenforceable before a competent court, such provision shall not affect the other provisions of this contract.

15.2 The illegal, invalid, or unenforceable provision shall be deemed replaced by an appropriate legal provision that comes as close as possible to the determination of the illegal, invalid, or unenforceable provision.

15.3 The same shall apply if the parties have forgotten to address a matter in this contract.

16. DATA STORAGE

The Supplier and all other companies belonging to the Supplier's group are entitled to process, store, and share the data provided to them in connection with this contract within the group in accordance with the Federal Data Protection Act and the European General Data Protection Regulation (GDPR).

17. EXPORT RESTRICTIONS

If products are delivered to the buyer that are subject to export control laws and regulations of international organizations or a country, including but not limited to the United Nations and U.S. import and export regulations, the buyer may only export or re-export these products in compliance with these laws and regulations. The rights and obligations of the buyer under this clause 17 shall remain in effect even after the expiration or early termination of this contract.

18 DISPUTES AND APPLICABLE LAW

18.1 The place of jurisdiction for all disputes arising from or in connection with these General Terms and Conditions and the contractual relationship between the Supplier and the buyer is Weilheim (Germany). However, the Supplier has the discretion to initiate legal proceedings at the buyer's place of business.

18.2 These General Terms and Conditions and the contractual relationship between the Supplier and the buyer are governed by German law, excluding the UN Convention on Contracts for the International Sale of Goods (CISG) and other uniform laws.

Xylem |'zīləm|

- 1) The tissue in plants that brings water upward from the roots;
- 2) a leading global water solutions company.

Xylem is a leading global water solutions company dedicated to advancing sustainable impact and empowering the people who make water work every day. Xylem connects diverse capabilities and innovative technologies to provide tailored solutions across the entire water cycle. From moving, treating and measuring water to optimizing and maintaining water systems, Xylem collaborates with customers to solve their most critical challenges. Together, through partnerships with utilities, industrial manufacturers, building operators, and communities, we are building a more water-secure world.

For more information on how Xylem can help you, go to www.xylem.com



Xylem Analytics Germany Sales GmbH & Co. KG
Am Achalaich 11
82362 Weilheim
Germany

Tel +49 881 183-0
Fax +49 881 183-420
Info.XAGS@xylem.com
www.xylemanalytics.com



Please find the contact details of our sales, service and other departments on our website:
www.xylemanalytics.com/en/contact/general-contact

All names are a registered trademark of Xylem Inc. or one of its subsidiaries.
Technical changes reserved. Prices are subject to change
© 2026 Xylem Analytics Germany Sales GmbH & Co. KG.
999404US

